

WALK-IN BATH SS90D5230 VALUE SERIES



SAFETY TUBS®

*The Safety Tubs 52" x 30" Gelcoat walk-in bath provides a similar bathing experience to larger models but fits in smaller spaces and uses less water. The included tub extender allows this tub to retrofit in the same space as a standard bathtub. The full sized, outward opening, contoured door with a low door threshold allows ease of entry and exit.*

*Fully equipped, the Value Series offers all the latest in safety and comfort features bundled together at one low cost and backed by a lifetime warranty on the door seal, a 10 year warranty on the tub shell and a 5 year warranty on all other components.*

Jet Massage



A soothing and invigorating water jet massage system, the Jet Massage features an in-line heater and Legs-Only massage. Customize back and leg muscle therapies with 6 different water jets. The Jet Massage is combined with all of the features of the Soaker Tub providing an enhanced therapeutic bathing experience.

Air Massage



Experience a soft and caressing all-over body massage powered by a single speed heated blower that releases thousands of air bubbles rising throughout the water from 21 different air jets. The automatic purge cycle helps keep the system running efficient and clean. The Air Spa is combined with all of the features of the Soaker Tub providing an enhanced therapeutic bathing experience.

Dual Massage System



Combines all of the features of the Soaker Tub, the Air Spa and the Jet Massage Systems for the ultimate therapeutic bathing experience.

Minute Drain® System



Spend less time waiting with this patented innovation, that requires no additional plumbing, once activated it rapidly pumps the water out from within the tub-making it safe to open the door and exit the tub. Included in all systems.

# SS9OD5230 VALUE SERIES 52" X 30" WALK-IN BATH

## SS9OD5230XS-XX Soaking Tub

- Tub Extender Kit to fill 60" space
- Available in White or Biscuit and in Left Hand or Right Hand Door/Drain Configuration
- Outward opening door with watertight door system with a lifetime warranty on the door seal
- Built-in chair height seat
- Polished chrome trim and cable driven waste and overflow
- Built-in safety bar and textured tub floor
- Patented Minute Drain® fast water removal system
- Premium fast-fill tub faucet and handheld showering wand
- Partial seat transfer

## SS9OD5230XJ-XX Jet Massage System

**Combines all of the features of the Soaking Tub, plus:**

- Jetted in-line heater
- 6 massage jets with variable flow
- Legs-only massage

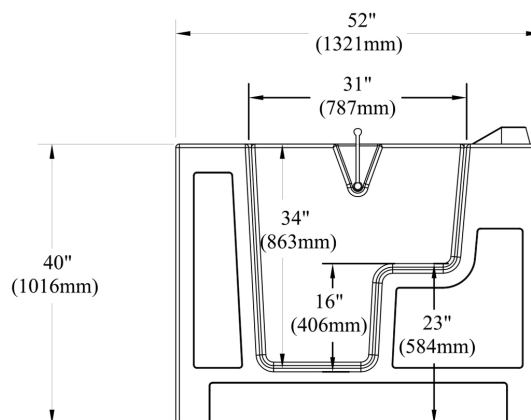
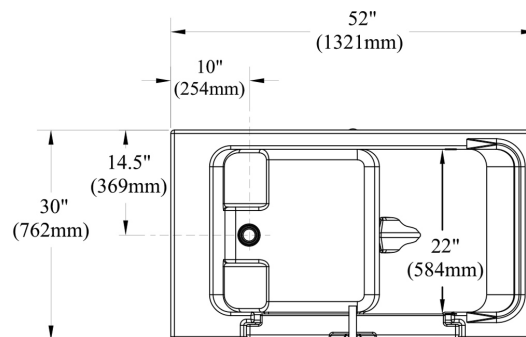
## SS9OD5230XD-XX Air Massage System

**Combines all of the features of the Soaking Tub, plus:**

- Single speed heated blower
- 21 seat and floor air injectors
- Automatic purge cycle

## SS9OD5230XD-XX Dual System

**Combines all of the features of the Soaker Tub, the Jet Massage and the Air Massage Systems for the ultimate therapeutic bathing experience.**



### GENERAL SPECIFICATIONS FOR SS9OD5230XX-XX WALK-IN BATHTUB

INSTALLED SIZE \_\_\_\_\_ 52 x 30 x 40 In. (1320 x 762 x 1016mm)  
 WEIGHT \_\_\_\_\_ 155 Lbs. (70 Kg.)  
 WEIGHT w/WATER \_\_\_\_\_ 781 Lbs. (354 Kg.)  
 OPERATING GALLON \_\_\_\_\_ 75 Gal. (284 L.)  
 FLOOR LOADING \_\_\_\_\_ 73 Lbs./Sq. Ft. (356 Kgs/Sq. m.)  
 (PROJECTED AREA)  
 CUBE (FT<sup>3</sup>) \_\_\_\_\_ 36.1

#### To Be Specified - Required:

- Drain Configuration: Left (L) or Right (R)
- Color: White (WH) or Biscuit (BC)

#### Options:

- Handshower Glide Bar: 9HSB
- 24 inch Grab Bar: 9GB-24
- Neck Rest: 9NR

**Notes:** The jetted heater is designed to maintain water temperature during operation. It will not heat cold water to desired bathing temperature. Tub is supported by the frame and five integrated adjustable feet, no additional support required. Refer to installation instructions supplied with tub for additional information. Provide suitable reinforcement to sub floor for all supports.

**Our products are in compliance with the following codes:** Uniform Plumbing Code UPC®; National Plumbing Code of Canada; International Plumbing Code IPC®

**Our products conform to the following standards:** ASME A112.19.7, ASME A112.19.15; CSA B45, CSA B45.5; CSA C22.2 No. 218.2; UL-1795; ANSI Z124.1.2

**Our products are listed with:** c ETL us

**IMPORTANT:** Dimensions of fixtures are nominal, may vary and are subject to change or cancellation. No responsibility is assumed for use of superseded or voided leaflet.