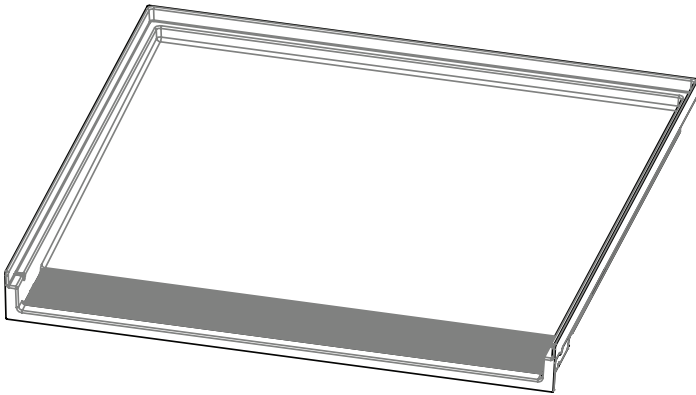


Sollus ProTrench

COMPRESSION-MOLDED SOLID SURFACE SHOWER BASE

Exterior Dimensions: 38W x 37D x 3 1/2H

Interior Dimensions: 36W x 36D x 3/4H



FEATURES

- Compression-molded solid surface with glass reinforcement technology
- Low threshold entry
- Patented wall-to-wall trench system with attractive 304 stainless grate
- Impact, chemical and mold resistant
- Pebbled, textured bottom surface
- Coordinates with other Solid Surface shower systems
- 30-year warranty*

STANDARDS AND RATINGS

- ASTM E-84: Class A Flame Spread Rating
- ANSI Z124
- IAPMO Z124-2011
- cUPC listed

*See terms and conditions for details.

INCLUDES

- 304 stainless steel trench drain grate
- Drain

COLOR & TRIM OPTIONS

Stock	Code
White	WT
Bisque	BQ
Bermuda Sand	BE
Cloud White	CW
Glacier	GL
Gray Granite	GG
Ice	IC
Pebble	PB
Tahiti Desert	TD
Tahiti Ivory	TI
Tahiti Sand	TS
Tahiti White	TW

Additional custom colors available.
(Contact Customer Service)

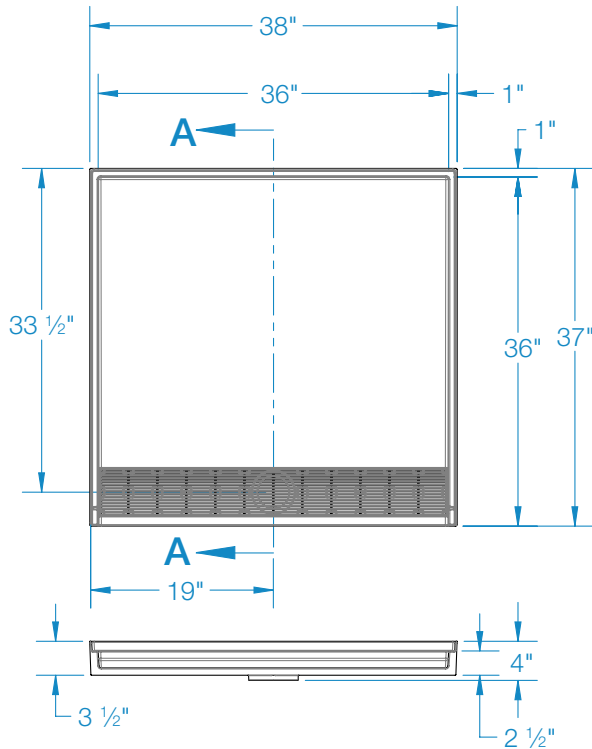
Not suitable for behavioral health applications.

SWB3838TR.75

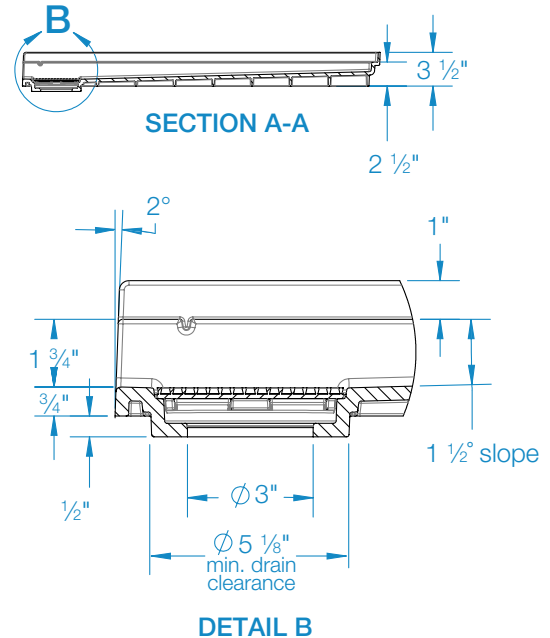
Exterior Dimensions: 38W x 37D x 3 1/2H

Interior Dimensions: 36W x 36D x 3/4H

inches



Installation instructions can be found on the Comfort Designs website.



FEATURES Dimensional Tolerance $\pm \frac{1}{16}$ ". Dimensions needed for site preparation should be measured from the unit. Comfort Designs assumes no responsibility for preparatory work.

Type and Model #	Material	Drain	Threshold Height	Pkg. Wt. lbs
Shower Base #SWB3838TR.75	Compression-Molded Solid Surface	Trench	3/4"	TBD

DIMENSIONS

Specifications	inches
Width:	38
Depth:	37
Height:	3 1/2
Enclosure Opening:	36
Drain Rough-In (from Back Wall)	33 1/2
Drain Rough-In (from Side Wall)	19 1/8

FRAMING DIMENSIONS inches

Type	D Depth	W Width	A	B	C
Alcove	37	38 1/4	Boxout	19 1/8	33 1/2

