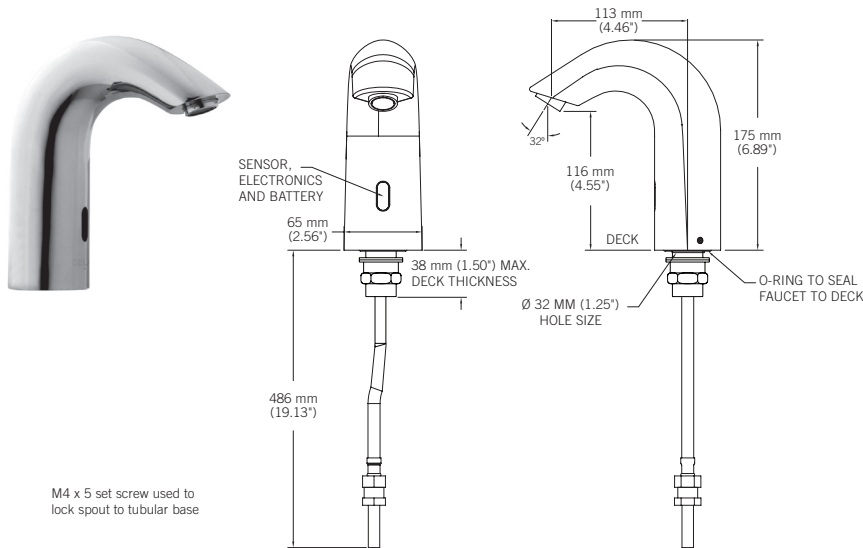


# DEMD Series Electronic Lavatory Faucets (Infrared)

**HDF**<sup>®</sup>  
COMMERCIAL

**DELTA**<sup>®</sup>

## DEMD-101LF (BATTERY OPERATED WITH NO MIX)



### SPECIFICATION: (EXAMPLE)

- Deck mount electronic lavatory faucet
- Sensor detects user's hand to activate water flow
- One 9V lithium battery inside spout (included)
- Above deck battery and electronics
- Red light indicator blinks when battery is low
- Vandal resistant (wrench flat)
- 0.5 gpm (1.9 L/min) spray outlet

### DEMD-101 SERIES

- Electronic faucet for cold or pre-mixed water
- DEMD-101LF (Chrome)**
- DEMD-101LF-NS (Nickel Stainless)**

### OPERATION

#### Sensing Range:

- Factory set to 8.0" ± 1.5" (200 mm ± 40 mm)
- Adjustable from 3.15" to 11.8" (80 mm to 300 mm) with optional remote control

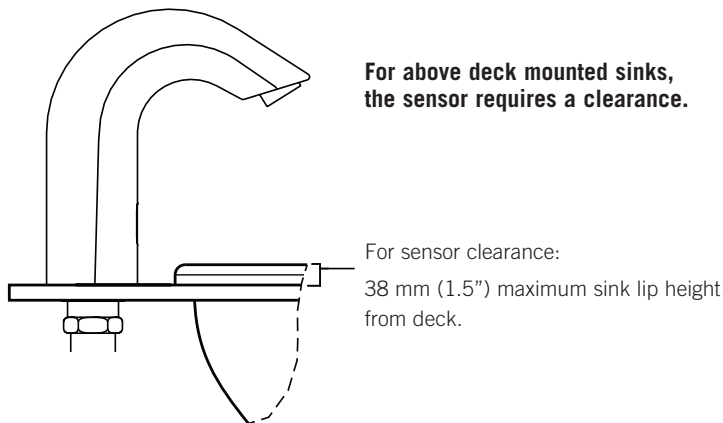
#### Maximum Run Time:

- 90 seconds, adjustable with remote control

### OPTIONAL ACCESSORIES (Order Separately)

- 060967A**
  - Remote Control – allows adjustment of sensor range, maximum run time, delayed close time, temporary shut-off for cleaning and factory settings reset
- 063256A (Chrome Only)**
  - 0.35 gpm (1.32 L/min) spray outlet
- 060961A (Chrome)**
  - 1.0 gpm (3.8 L/min) aerator
- 061118A (Chrome)**
  - 1.5 gpm (5.7 L/min) Careguard<sup>®</sup> laminar outlet

## SENSOR CLEARANCE

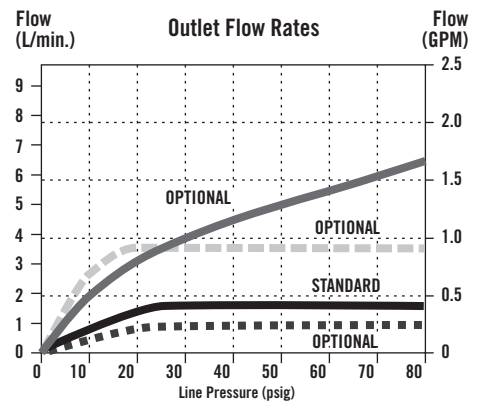


## HARDWIRE CONVERSION OF DEMD-100 SERIES

Requires **SEPARATE** order of either:

- |   |                  |  |
|---|------------------|--|
| <p><b>(A)</b> One 060958A DEMD plug in power supply, output 9VDC</p> <p>PLUS</p> <p>One 061168A connector kit</p> | <p><b>OR</b></p> | <p><b>(B)</b> One 060704A hardwire 20VA transformer (120VAC to 24VAC)</p> <p>PLUS</p> <p>One 060974A DEMD converter (24VAC to 9VDC)</p> <p>PLUS</p> <p>One 061168A connector kit</p> |
|---|------------------|--|

## FLOW RATE vs PRESSURE



### APPROVALS:



- IAPMO certified
- Complies to ASME A112.18.1/CSA B125.1
- Indicates compliance to ICC/ANSI A117.1
- Verified compliant with 0.25% weighted average Pb content regulations

(Contact Delta Representative for State and/or Local Approvals.)

Note: Measurements may vary ± 6mm (0.25")

Refer to [www.specselect.com](http://www.specselect.com) for individual models.

Note: Use this page front and back as a product submittal sheet.

# DEMD Series Electronic Lavatory Faucets (Infrared)

**HDF**  
COMMERCIAL

**DELTA**

## SPECIFICATION: (EXAMPLE)

- Deck mount electronic lavatory faucet
- Sensor detects user's hand to activate water flow
- One 9V lithium battery inside spout (included)
- Above deck battery and electronics
- Red light indicator blinks when battery is low
- Vandal resistant (wrench flat)
- 0.5 gpm (1.9 L/min) spray outlet

## DEMD-111 SERIES

- Electronic faucet with mixer to adjust temperature

### ❑ DEMD-111LF (Chrome)

### ❑ DEMD-111LF-NS (Nickel Stainless)

## OPERATION

### Sensing Range:

- Factory set to 8.0" ± 1.5" (200 mm ± 40 mm)
- Adjustable from 3.15" to 11.8" (80 mm to 300 mm) with optional remote control

### Maximum Run Time:

- 90 seconds, adjustable with remote control

## OPTIONAL ACCESSORIES (Order Separately)

### ❑ 060967A

- Remote Control – allows adjustment of sensor range, maximum run time, delayed close time, temporary shut-off for cleaning and factory settings reset

### ❑ 063256A (Chrome Only)

- 0.35 gpm (1.32 L/min) spray outlet

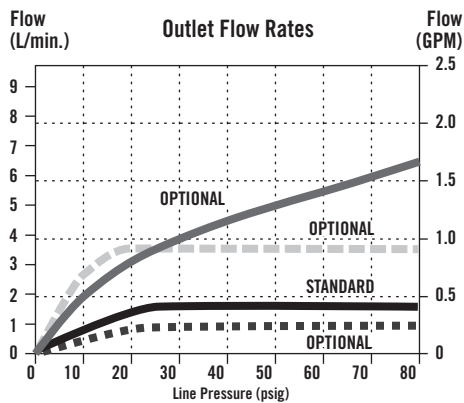
### ❑ 060961A (Chrome)

- 1.0 gpm (3.8 L/min) aerator

### ❑ 061118A (Chrome)

- 1.5 gpm (5.7 L/min) Careguard® laminar outlet

## FLOW RATE vs PRESSURE



## APPROVALS:

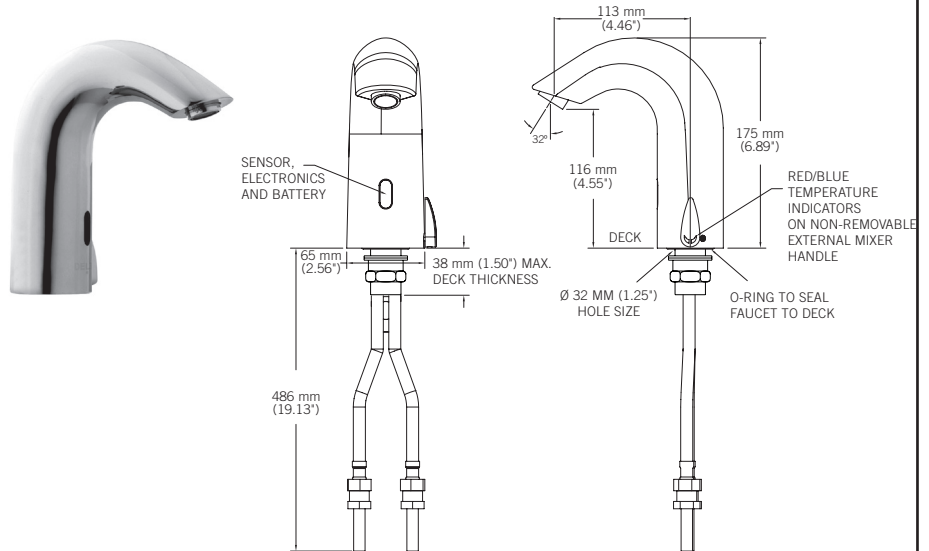


- IAPMO certified
- Complies to ASME A112.18.1/CSA B125.1
- Indicates compliance to ICC/ANSI A117.1
- Verified compliant with 0.25% weighted average Pb content regulations

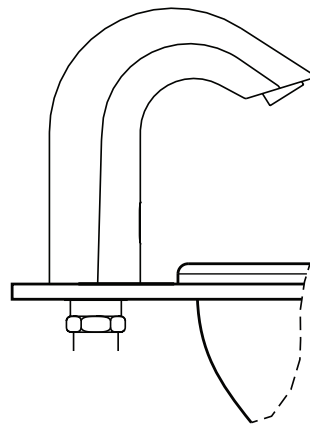
(Contact Delta Representative for State and/or Local Approvals.)

Note: Measurements may vary ± 6mm (0.25")

## DEMD-111LF (BATTERY OPERATED WITH USER MIX)



## SENSOR CLEARANCE



For above deck mounted sinks, the sensor requires a clearance.

For sensor clearance:  
38 mm (1.5") maximum sink lip height from deck.

## HARDWARE CONVERSION OF DEMD-100 SERIES

Requires SEPARATE order of either:

**(A)** One 060958A DEMD plug in power supply, output 9VDC

PLUS One 061168A connector kit

**OR (B)** One 060704A hardwire 20VA transformer (120VAC to 24VAC)

PLUS One 060974A DEMD converter (24VAC to 9VDC)

PLUS One 061168A connector kit