

**Talis C**  
**Single-Hole Faucet 230 with Pop-Up Drain, 1.2 GPM**  
 Finishes : **polished nickel**    Part no. : **14116831**



**Description**

**Features**

- Aerated spray
- Flow: 1.2 GPM (4.5 L/Min)
- Ceramic cartridge
- Includes pop-up drain

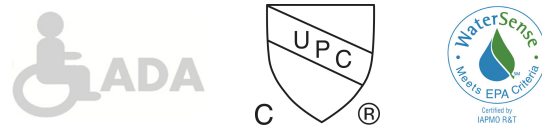
**Item details**

List Price \$ 543.00

**Technology**



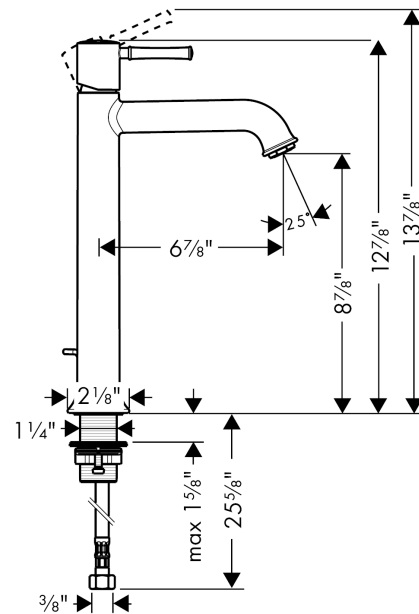
**Compliance**



**Product image**



**Scale drawing**

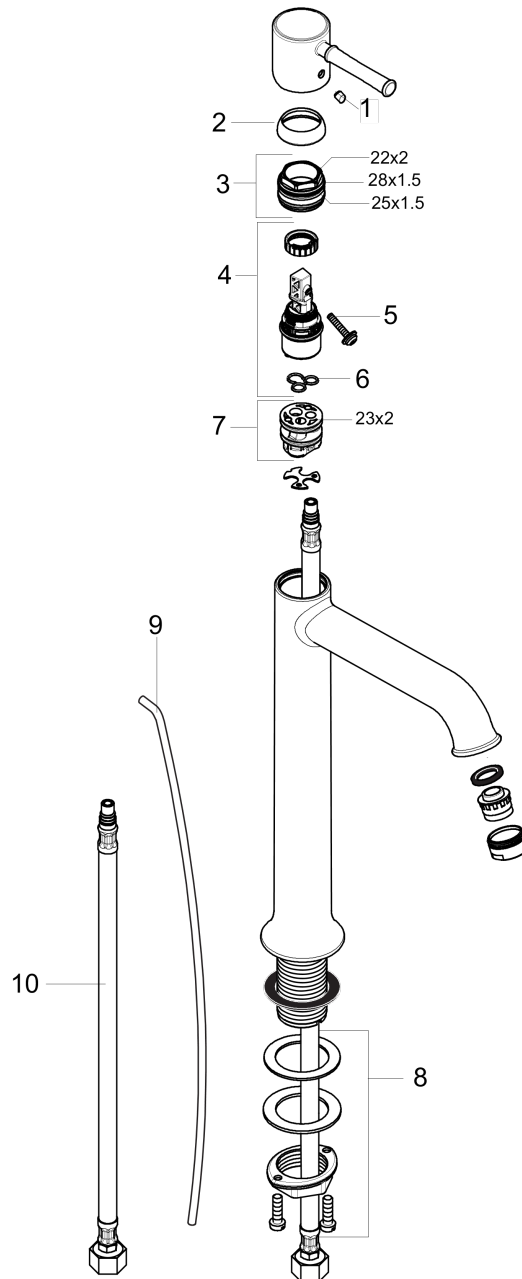


**Talis C**  
**Single-Hole Faucet 230 with Pop-Up Drain, 1.2 GPM**  
 Finishes : **polished nickel** Part no. : **14116831**



Exploded drawing

Year of production: >08/18



**Talis C**  
**Single-Hole Faucet 230 with Pop-Up Drain, 1.2 GPM**  
 Finishes : **polished nickel**    Part no. : **14116831**



## Spare parts list

Year of production: >08/18

| Pos. | Description                       | Part no. | Price | PU |
|------|-----------------------------------|----------|-------|----|
| 1    | screw cover                       | 96338000 | -     | 1  |
| 2    | flange                            | 98863830 | -     | 1  |
| 3    | nut                               | 98864000 | -     | 1  |
| 4    | cartridge, assy                   | 95973001 | -     | 1  |
| 5    | locking screw for handle          | 95140000 | -     | 1  |
| 6    | seal                              | 98865000 | -     | 1  |
| 7    | adapter for cartridge             | 98866000 | -     | 1  |
| 8    | fixing set (Ø 32)                 | 13961000 | -     | 1  |
| 9    | pull rod                          | 96657830 | -     | 1  |
| 10   | connection hose 35½" M8x0,75 3/8" | 96316001 | -     | 1  |
| a    | pop up waste                      | 88509830 | -     | 1  |
| b    | O-Ring 22x2                       | 98185000 | -     | 1  |
| c    | O-ring 28x1,5                     | 98421000 | -     | 1  |
| d    | O-ring 25x1,5                     | 98146000 | -     | 1  |
| e    | O-ring 23x2                       | 98398000 | -     | 1  |