

Talis C
Single-Hole Faucet 90 with Pop-Up Drain, 1.2 GPM
 Finishes : **polished nickel** Part no. : **14127831**



Description

Features

- Non-aerated stream
- Flow: 1.2 GPM (4.5 L/Min)
- Ceramic cartridge
- Includes pop-up drain

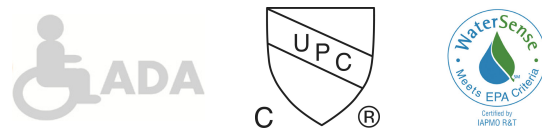
Item details

List Price \$ 569.00

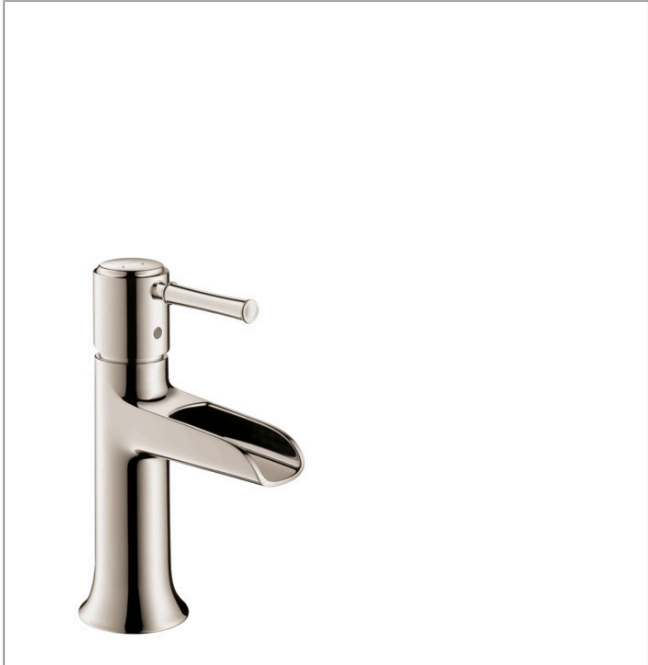
Technology



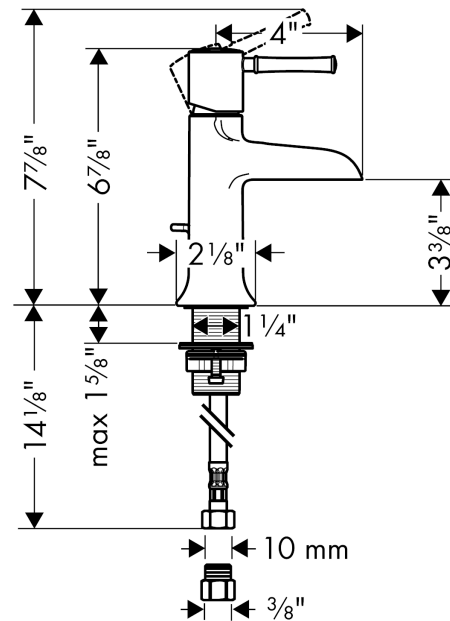
Compliance



Product image



Scale drawing

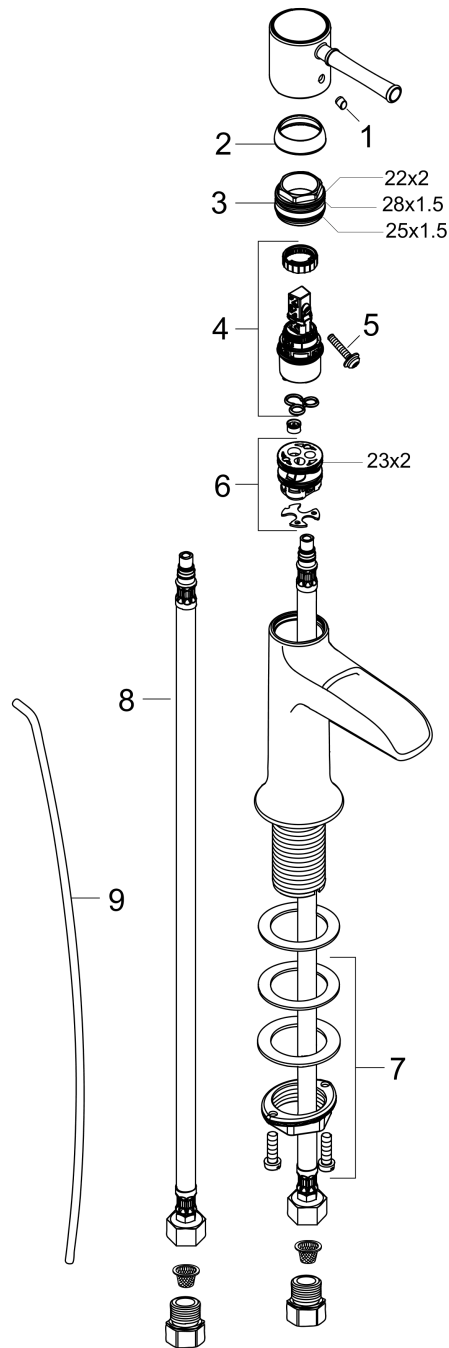


Talis C
Single-Hole Faucet 90 with Pop-Up Drain, 1.2 GPM
 Finishes : **polished nickel** Part no. : **14127831**



Exploded drawing

Year of production: >08/18



Talis C
Single-Hole Faucet 90 with Pop-Up Drain, 1.2 GPM
 Finishes : **polished nickel** Part no. : **14127831**



Spare parts list

Year of production: >08/18

Pos.	Description	Part no.	Price	PU
1	screw cover	96338000	-	1
2	flange	98863830	-	1
3	nut	98864000	-	1
4	cartridge, assy	95973001	-	1
5	locking screw for handle	95140000	-	1
6	adapter for cartridge	98866000	-	1
7	fixing set (Ø 32)	13961000	-	1
8	connection hose 17½" M8x0,75 G3/8	95141001	-	1
9	pull rod	96657830	-	1
a	pop up waste	88509830	-	1