

Viega ProPress and MegaPress Systems



The global leader
in plumbing, heating
and pipe joining systems

viega

A heritage of better ideas since 1899

Only the Viega Group offers a heritage of true innovation, from our humble beginning in 1899 to our current status as the global leader of plumbing, heating and pipe joining systems. Viega system solutions have surpassed the test of time for more than 115 years because our quality is superior, our customer service is individual and our products work together so installers can accomplish more. With trustworthy, total system solutions for nearly any application, Viega provides the products, the tools, the support and the quality you need to complete the job right the first time.

1899 **Viega's legacy begins**
Viega founder Franz-Anselm Viegener designs brass beer tap.

1901 **Focus on plumbing**
Viega begins to manufacture plumbing fittings for Germany.

1935 **Vision continues to grow**
Viega adds more products to increase opportunities for plumbers.

| 1900

| 1910

| 1920

| 1930

| 1940

| 1950

1950 **Global strategy broadens**
Viega expands to other countries in this decade.

1970 **A solution for everyone**
Viega invests in development of complete system solutions.

1989 **Revolutionizing the industry**
Viega teaches the world a new way to install plumbing and piping systems.

1999 **Celebrating 100 years**
The Viega Group introduces complete system concepts in North America.

2008 **Outstanding solution provider**
Viega's North American company wins the ASPE Industry Award for the advancement of plumbing technology.

2009 **Quality PEX for total solutions**
Viega LLC produces 655 million feet of PEX tubing in the United States since 2006.

2010 **Zero Lead solutions**
Viega finishes first in the race to offer a complete lead-free system in North America.

2011 **Resources to succeed**
The Viega Group offers 23 million square feet of production and logistics facilities worldwide.

2012 **One source, many materials**
Viega manufactures the first carbon steel press fitting for use in gas applications, Viega MegaPress.

2013 **Building the future with training**
Viega Educational Facility hosts nearly 15,000 guests since opening.

1960

1970

1980

1990

2000

2010

2020

Viega Press Systems

Making perfect connections since 1989



Secure, proven solutions for joining pipe

You can't buy trust. Trust is something you earn after years and years of proven performance and that's what Viega offers. Viega's heritage of trustworthy system solutions has changed the industry and made pipe joining easier and better for tens of thousands of professionals around North America.

Viega ProPress and Viega MegaPress systems are suitable for virtually any type of project, whether industrial, marine, commercial or residential for both new and retrofit installations. Viega ProPress fittings are available in copper and stainless steel. Viega MegaPress in carbon steel is the first press system for black iron pipe that can be installed in both water and gas applications.

The patented Viega Smart Connect feature is the only guaranteed method in the industry to verify a secure pipe connection. Only genuine Viega fittings have the true Viega Smart Connect feature.

- More than 1,400 press fitting choices in multiple materials, including copper, stainless and carbon steel
- Make secure connections in less than seven seconds
- Save up to 60% on installation time
- System-matched tools and jaws available to make consistent connections
- More approved applications than any other press fitting system

"I am old school. I always had the belief that soldered connections were the most reliable. Using Viega's ProPress system on the Capitol project changed my mind."

Bill Harrison, Senior Project Manager,
RM Mechanical



"We had almost unlimited options in construction and connections. Viega ProPress allows us to extend the system and make additional tie-ins in the future. We were able to customize the whole system."

Sabina Pryce-Jones,
Generation Operations
and Maintenance Specialist, JEA



Viega MegaPress Systems

Clean, safe, secure black iron connections



The only carbon steel press fittings for water and gas

You can do more with the Viega MegaPress system. The first and only press fitting system for both water and gas applications in black iron pipe, Viega MegaPress is flameless and eliminates heavy equipment and messy joining materials.

Viega MegaPress fittings can be installed while the system is live, which means you don't need to shut a system down completely before making connections. Viega MegaPress is ideal for new installations or for integrating into existing systems.

Suitable for use with ASTM Schedule 5 to Schedule 40 black iron pipe, the Viega MegaPress system includes 200 different engineered fitting configurations ranging in size from 1/2" to 2". So whether you're installing a hydronic water line, a natural gas line or a fire protection system, Viega offers an innovative solution for black iron pipe.

Approved for more applications than any other carbon steel press fitting system, Viega MegaPress makes secure connections you can trust. Not only do you eliminate cleanup on the job with Viega MegaPress, you also reduce callbacks.

Innovative Viega press technology joins black iron pipe securely through the engineered design of the fittings and the use of the press tool. No more manual tightening is needed and that allows you to relax when the job is over, confident that every connection is secure.

"Of all the gas lines I've installed with Viega MegaPressG, none have failed pressure testing and I haven't had to go back to fix anything. Viega MegaPress lets me have clean installations. I don't have to deal with bulky fittings, grease, oils or compounds."

Glen Ailport, Owner, BSB Plumbing,
North Ridgeville, OH



"Viega MegaPress fittings were a good choice for us. It's really quick, really fast and — as we found out on this job — really reliable. We did 1,000 joints and didn't have any problems out of any of them."

Derrick Geis, Project Manager,
Houston Elementary, Mineral Wells, TX

Save time, labor and cleanup with Viega MegaPress

Ideal for industrial, commercial and residential applications, the Viega MegaPress system is easy to use, flameless and environmentally friendly. The system performs well in both new installations and retrofit projects. This new, innovative addition to Viega's product line leaves no joining material buildup, exposed threads or tarnish, creating a clean, professional appearance.

With an EPDM sealing element for the Viega MegaPress system or HNBR for Viega MegaPressG, the system provides maximum performance for both hydronic and gas applications.

Examples of approved applications

Chilled water	Natural gas	Diesel fuel	Engine oils	Argon
Compressed air	Vacuum lines	Canola oil	Gear grease	Corgon
Fire protection	Fire protection	Palm oil	Hydraulic fluid	Carbon dioxide
Fuel oil	Acetone	Sunflower oil	Transmission fluid	Hexane
Hydronic heat	Methylcyclohexane	Vegetable oils	Nitrogen	Hydrogen
Low-pressure steam	Sodium hydroxide			

For more specific information on applications for Viega MegaPress, ask for Viega Technical Services at 1-800-976-9819. For a list of applications, please reference the chart on page 17.



Viega MegaPress



Viega MegaPressG

Black iron fire protection you can count on

Viega MegaPress is UL and FM certified for fire protection applications in sizes ½" to 2". As with other Viega press systems, Viega MegaPress fittings can be used in pre-fabricated assemblies, producing a straight, clean installation. And with the patented Viega Smart Connect feature, installers can verify that all fittings in pre-fabbed assemblies are secure.

Backed by a written warranty and approved for NFPA 13, 13D and 13R fire sprinkler systems, Viega MegaPress can be installed in industrial applications or commercial projects like hotels and dorms. With Viega's patented cold-press technology, installations in attics and tight corners are safer than with traditional joining methods. With no threading required, installers don't need to carry heavy equipment or bother with metal shavings or cutting oils.

Viega MegaPress fittings provide a safe, clean, fast method for installing a fire protection system in industrial, commercial or residential projects. Viega MegaPress reduces the length of time a system must be shut down for maintenance and makes new installations easy, providing security and complete peace of mind.

Guaranteed peace of mind

Viega MegaPress offers the patented Viega Smart Connect feature, the only guaranteed connection identification method in the industry.

The Viega Smart Connect feature allows water or air to flow past the sealing element in an unpressed fitting, clearly indicating a missed connection. Since installers can easily see if all connections have been made during pressure testing, the Viega Smart Connect feature provides guaranteed security and peace of mind.



Unpressed

1 Identify an unpressed connection during pressure testing when water or air flows past the sealing element.



Pressing

2 Use the press tool to press the fitting, making a permanent connection.



Pressed

3 Viega MegaPress connections are fast, flameless and guaranteed.

Viega ProPress Systems

Fast, secure connections — guaranteed

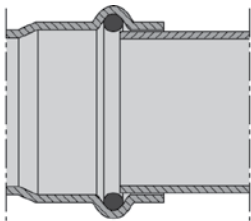


Viega ProPress – copper and stainless solutions

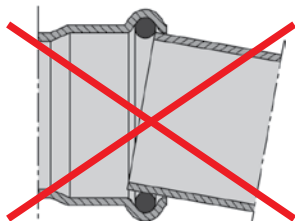
Imitation is the sincerest form of flattery but it doesn't impress us. Viega was the first to offer press joining systems in North America, the first to offer a guaranteed method to verify secure connections, the first to offer the same time-saving press technology in multiple materials. Viega ProPress systems have been imitated by other manufacturers but no one else can guarantee the same standard of performance.

Features and benefits

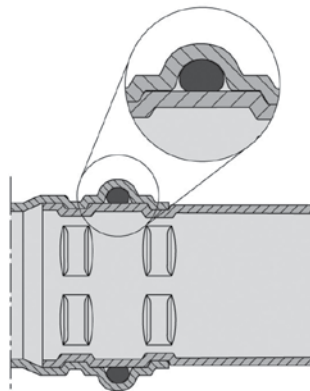
- Connections can be made wet or dry for quick repairs on existing systems
- More than 900 fittings in multiple configurations for copper and stainless
- Available in sizes ½" to 4"
- No need for burn permits or fire watches
- Makes secure connections in less than seven seconds
- Flameless press technology eliminates sweating, brazing and grooving
- Reliable Zero Lead solution with inherently lead-free material
- Backed by a written warranty
- Viega Smart Connect feature helps installers easily identify unpressed connections



All Viega ProPress fittings are designed with cylindrical pipe guides to keep the pipe straight and protect the sealing element during assembly.



Fittings that do not have cylindrical pipe guides risk making an unsecured connection. Without the pipe guides, installers can damage the sealing element.



Viega fittings are pressed before, after and on top of the sealing element in a single step, which creates a permanent connection that is secure and guaranteed to last.

The one and only

The Viega Smart Connect feature is designed directly into the fitting, so it provides a reliable identification method. On Viega ProPress fittings, the Viega Smart Connect feature is guaranteed, so installers can be certain that a system is completely secure.



1 Identify an unpressed connection during pressure testing when water or air flows past the sealing element.



2 Use the press tool to press the fitting, making a permanent connection.



3 Viega ProPress connections are fast, flameless and guaranteed.

The Viega Smart Connect feature should be tested at 15 to 85 psi when testing with water or .5 to 45 psi when testing with air. After ensuring that all connections have been correctly pressed, installers may increase the test pressure to full system test requirements.

The original copper press solution is still the best

Viega ProPress is the original copper press joining solution, introduced to North America in 1999. Viega ProPress is the guaranteed solution for nearly any residential, commercial or industrial project. With three choices in sealing elements, Viega ProPress systems can be customized to suit nearly any application, from potable water to natural gas to solar systems.

Examples of approved applications

Acetylene	Compressed air	Gray water	Natural gas
Ammonia	Cooling water	Hydrogen	Nitrogen
Argon	Diesel fuel	Hydronic heating	Oxygen
Butane	Ethanol	Kerosene	Potable water
Carbon dioxide	Fire protection	Low-pressure steam	Propane
Chilled water	Fuel oil	Lube oil	Vacuum

For more specific information on applications for Viega ProPress for copper, ask for Viega Technical Services at 1-800-976-9819.



Viega ProPress



Viega ProPressG

Introducing Viega ProPress ball valves for Zero Lead

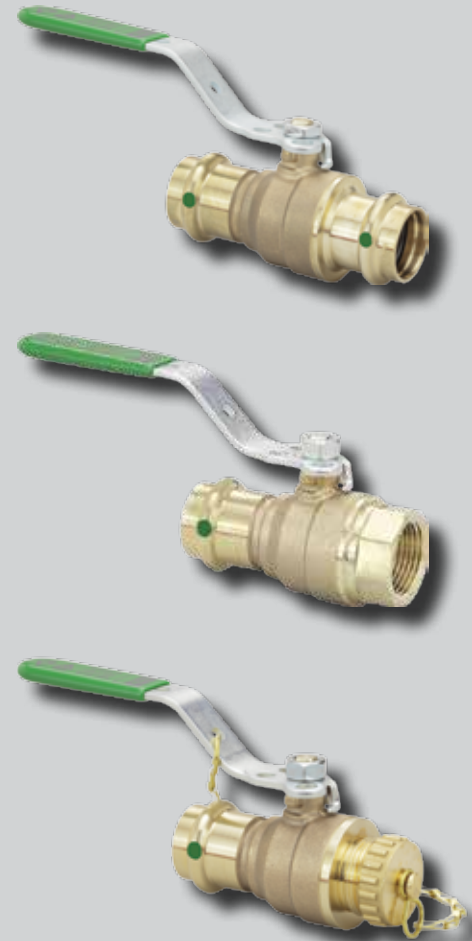
Viega's new ball valves for Zero Lead set a high standard for manufacturing systems intended for potable water applications. Viega ProPress ball valves are manufactured from a material specifically designed for lead-free press systems.

Made from our unique silicon-bronze alloy, engineered for press technology, these ball valves provide the same quality, reliability and performance as all Viega press fittings. The patented Viega Smart Connect feature helps installers easily identify unpressed fittings during pressure testing.

By adding two new ball valve configurations to the existing line, P x FPT and P x Hose thread, Viega offers a solution to suit nearly any need. Installers even have a choice of stems in the existing P x P configuration ball valve, either Eco Brass® or stainless steel.

The 316 stainless steel ball featured in each of these new ball valves comes standard, not as an upgrade. With a forged body and double-stem seal, you can rely on Viega ProPress systems to perform beyond your expectations.

Choose the
valve that
works for you



- Available in varying sizes from ½" to 2"
- Four configurations available: P x P, P x P with stainless steel stem, P x FPT and P x Hose thread
- Standard 316 stainless steel ball
- Zero Lead bronze body and press connections
- Certified to ASME A112.4.14-2004 and NSF-61G

Complete stainless solutions for nearly any application

Viega ProPress for stainless is engineered for harsh industrial environments where the piping systems may come into contact with corrosive cleaning liquids. Available in two grades of stainless steel, 304 and 316, Viega ProPress provides guaranteed performance, whether you need 316 stainless for a potable water line or 304 stainless for a corrosive chemical line.

Examples of approved applications

Acetone	Condensing water	Instrument air	RO/DI water
Acetylene	Diesel fuel	Isopropyl alcohol	Sanitizing chemical lines
Acids	Domestic water	Kerosene	Secondary containment
Ammonia	Dust control spray lines	Low-pressure steam	Sludge
Argon	Dust control water	Lube oils	Steam condensate
Butane	Ethanol	Methanol	Toluene
Carbon dioxide	Fuel oil	Motor oil	Urea
Caustic vent piping	Gray water	Nitrogen	Vacuum
Chemical process lines	Hydraulic oil	Oxygen	Vacuum lines
Chilled water	Hydrogen	Potable water	Wax
Compressed air	Hydronic heating	Propane	

For more specific information on applications for Viega ProPress for stainless, ask for Viega Technical Services at 1-800-976-9819.



Viega ProPress in 304 Stainless



Viega ProPress in 316 Stainless

Reduce downtime and increase reliability in harsh environments

Viega stainless steel pipe and fittings are well suited for wash down environments, allowing most chemical cleaners to sanitize every surface without compromising the integrity of the pipe or fittings. With multiple configurations like transitions and adapters, Viega ProPress for stainless allows versatility in every application, whether the entire installation is new or only sections are being repaired. Viega press connections can be made with no shutdowns, which minimizes costly downtime.

- More than 600 stainless fittings in multiple configurations
- Available in sizes ½" to 4"
- Flameless press technology eliminates welding
- NSF approval on 316 stainless for drinking water applications
- Pipe and fittings available in 304 stainless
- Pipe, valves and fittings available in 316 stainless
- Backed by a written warranty
- Viega Smart Connect feature helps installers easily identify unpressed connections

“Welding for this project was cost- and time-prohibitive. Viega ProPress for stainless just made sense. Due in part to using Viega ProPress, we actually returned almost 20% of the project budget, which is rare for capital improvement projects without decreasing scope. Viega ProPress is just quality at its best.”

Sabina Pryce-Jones,
Generation Operations
and Maintenance Specialist, JEA



“Our customer saved on costs by having fewer hours of labor and using cost-effective stainless, but they will also save on future maintenance costs by using Viega ProPress because it allows repair work to be completed with little or no downtime. The first time I shut down a line on a Viega ProPress system, I was sold.”

Mike Wells, Project Superintendent,
the Nelson Stark Company

Solutions that exceed your expectations

Viega ProPress and Viega MegaPress fittings have been tested to the strictest standards in North America. Viega ProPress in copper and in two grades of stainless steel, 304 and 316, is suitable for nearly any application, from potable water in commercial projects to corrosive chemicals in industrial projects. Viega MegaPress is the only press fitting system for black iron pipe that can be installed in both water and gas applications, residential, commercial or industrial.

Approvals and Certificates for North America



ASTM A240
ASTM A312
ASTM A403
ASTM A554



CRN – Canadian Registration Number



ASME B31.1
ASME B31.3
ASME B31.9



American Bureau of Shipping



UL



NSF-61 Annex-G
Zero Lead Components



FM

Viega ProPress and Viega MegaPress fitting systems are also compliant with the following:



ICC International Plumbing Code



UPC Uniform Plumbing Code



Uniform Mechanical Code



PHCC National Standard Plumbing Code

Contact your local Viega district manager for details on local approvals.

Versatile options to choose from

With a variety of sealing elements, Viega ProPress systems are approved for more applications than any other press system, ranging from potable water to corrosive chemicals. A proven pipe joining method used around the world, Viega ProPress technology increases the benefits to installers and specifying engineers.

Viega ProPress fittings are available with EPDM, HNBR and FKM sealing elements. Viega MegaPress fittings are available with EPDM and HNBR sealing elements.



EPDM Sealing Element



HNBR Sealing Element



FKM Sealing Element

Types of Service	System Operating Conditions			ProPress 304 Stainless	ProPress 316 Stainless		ProPress	ProPressG	MegaPress	MegaPressG
	Comments	Pressure	Temperature	FKM	EPDM	FKM	EPDM	HNBR	EPDM	HNBR
Fluids/Water										
Hot and Cold Potable Water		200 PSI	32°F-250°F		√		√			
Rainwater/ Gray Water		200 PSI	Note *4		√	√	√	√	√	√
Fire Sprinkler		175 PSI	Note *4	√			√		√	
Chilled Water	Ethylene Glycol / Propylene Glycol	200 PSI	Note *4	√	√	√	√		√	
Hydronic Heating	Ethylene Glycol / Propylene Glycol	200 PSI	Note *4	√	√	√	√		√	
Cooling Water	Up to 50% Ethylene Glycol or Propylene Glycol solution	200 PSI	Note *4	√	√	√	√		√	
Deionized Water		200 PSI	158°F		√					
Low-Pressure Steam		Up to 15 PSI	248°F	√	√	√	√		√	
Isopropyl Alcohol		200 PSI	75°F		√					
Latex Paint		200 PSI	32°F-250°F		√					
Methyl Ethyl Ketone		200 PSI	230°F		√					
Nitric Acid	10%	200 PSI	73°F	√	√	√				
Phosphoric Acid	25%	200 PSI	Ambient		√					
Lactic Acid	35%	200 PSI	120°F			√				
Paraffin Wax		200 PSI	100°F	√		√				
Fuel, Oil and Lubricant										
Heating Fuel Oil		125 PSI	Note *4	√		√		√		√
Diesel Fuel		125 PSI	-40°F-180°F	√				√		√
Ethanol	Pure Grain Alcohol	200 PSI	Note *4		√		√			
Liquid Propane	Compliant with CSA LC4	125 PSI	-40°F-180°F					√		√
Liquid Butane	Compliant with CSA LC4	125 PSI	-40°F-180°F					√		√
Kerosene		Note *4	68°F	√		√		√		√
Lube Oil	Petroleum Based	200 PSI	Note *4	√		√		√		√
Gases										
Compressed Air	Less than 25mg/m ³ oil content	200 PSI	Note *4	√	√	√	√	√	√	√
Compressed Air	More than 25mg/m ³ oil content	200 PSI	-40°F-180°F	√		√		√		√
Natural Gas	Compliant with CSA LC4	125 PSI	-40°F-180°F					√		√
Oxygen - O ₂ (nonmedical)	Keep oil and fat free / non-liquid O ₂	140 PSI	Up to 140°F		√		√	√	√	√
Nitrogen - N ₂		200 PSI	Note *4	√	√	√	√	√	√	√
Carbon Dioxide - CO ₂	Dry	200 PSI	Note *4			√	√	√	√	√
Ammonia	Anhydrous	200 PSI	122°F	√		√		√		√
Acetylene		200 PSI	86°F	√	√	√				
Argon	Welding Use	200 PSI	Ambient		√		√	√	√	√
Hydrogen - H ₂		125 PSI	0°F-250°F		√		√	√	√	√
Vacuum		29.2 in Hg	Note *4	√	√	√	√	√	√	√
Notes: Specialty seals are field installed and are not compatible with XL (copper), or XL (stainless) fittings.										
1. All systems are recommended to be clearly labeled with the fluid or gas being conveyed. For further information please consult the Viega Technical Support Department.										
2. Consult the Viega Technical Support Department for information on application temperature, pressure and concentration limits and applications not listed.										
3. All Viega ProPress systems must be used with the manufacturer's recommended sealing element. Contact your local Viega representative for applications not listed or for more information on material compatibility.										
*4. System pressure and temperature ranges depend on sealing element.										

One source,
multiple solutions



Viega provides complete systems that work together with consistent, reliable excellence. Whether you are installing a potable water system or specifying a corrosive chemical line, Viega offers a system solution that is engineered and easy to install. In every circumstance, for nearly every application, Viega has the innovative solution you need to do your job right the first time. With proven quality, time-tested efficiency and personalized service, Viega is your solution.

Viega is the only manufacturer with press systems in multiple pipe joining materials.

Viega ProPress for copper and stainless and Viega MegaPress for black iron help reduce installation time up to 60% and are approved for use in the largest range of applications. Viega press systems offer the patented Viega Smart Connect feature, the only guaranteed pressed fitting detection method on the market, so you can trust that connections are secure.

Viega offers the most complete potable water plumbing systems in North America.

With the first press fittings for PEX, the innovative Viega ManaBloc homerun plumbing system and PEX tubing with the highest chlorine and UV protection ratings in the industry, Viega provides premium options for your next plumbing project. Made in the USA and designed to save energy, Viega PEX solutions reduce the potential for leaks and increase confidence and peace of mind.

Viega heating and cooling systems are highly engineered to be user friendly.

From start to finish, Viega ProRadiant systems offer the highest-quality, most complete radiant heating solutions in the industry. With ViegaPEX Barrier tubing, manifolds, controls and innovative systems, Viega provides everything you need to specify or install radiant heating, cooling or snow melting projects. And with personalized design service and on-site field support, you can get the assistance you need to stay on schedule.



The term Viega does not apply to a specific company within the various separate and distinct companies comprising the Viega group of companies. The term Viega as used in this publication refers to the Viega brand itself or generally to the Viega group of companies. References to activities in North America specifically refer to activities of Viega LLC.

Zero Lead identifies Viega products meeting the lead-free requirements of NSF 61-G through testing under NSF/ANSI 372 (20% or less maximum weighted average lead content).

©2014, MegaPress®, ProPress® and Viega® are registered trademarks of Viega GmbH & Co. ManaBloc® and Smart Connect® are registered trademarks of Viega LLC. ProRadiant™ and Zero Lead™ are trademarks of Viega LLC; ProPressG™ and ViegaPEX™ are trademarks of Viega GmbH & Co. KG.; Eco Brass® is a registered trademark of Chase Brass and Ingot Metal Co.

Viega LLC

phone: 1-800-976-9819

e-mail: insidesales@viega.us

web: www.viega.us

