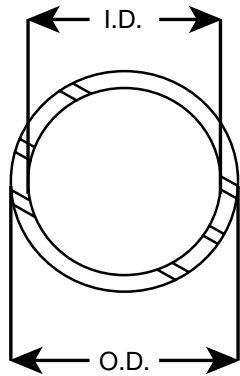


Dimensional Documentation



ProPress® Stainless XL-S

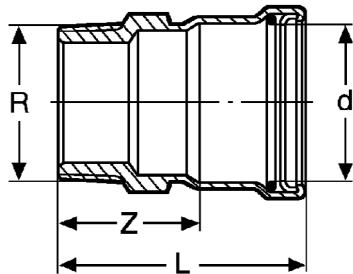


ProPress Stainless Steel 304 ECO-Pipe XL ASTM A554

Catalog No.	Size	O.D. (in)	I.D. (in)	Wall Thickness	Length (ft)
87080	2-1/2"	2.63	2.48	0.07	20
87085	3"	3.13	2.98	0.07	20
87090	4"	4.13	3.98	0.07	20

ProPress Stainless Steel 304 & 316 Pipe XL ASTM A554

Catalog No.	Size	O.D. (in)	I.D. (in)	Wall Thickness	Length (ft)	
S/S 304	S/S 316					
87030	82030	2-1/2"	2.63	2.47	0.08	20
87035	82035	3"	3.13	2.97	0.08	20
87040	82040	4"	4.13	3.97	0.08	20

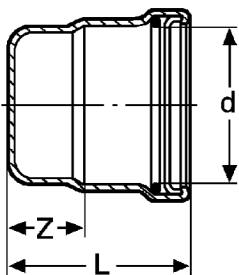


Adapter P x M NPT w/ EPDM seals Model - 0111 XL / 4011 XL

Catalog No.	Size	Z (in)	L (in)	
S/S 304	S/S 316	d R		
85060	80060	2-1/2" x 2-1/2" NPT	2.992	4.685
85065	80065	3" x 3" NPT	3.091	5.059
85070	80070	4" x 4" NPT	3.130	5.492

Adapter P x M NPT w/ FKM seal Model - 6011 XL / 4311 XL

Catalog No.	Size	Z (in)	L (in)	
S/S 304	S/S 316	d R		
85062	80062	2-1/2" x 2-1/2" NPT	2.992	4.685
85067	80066	3" x 3" NPT	3.091	5.059
85072	80072	4" x 4" NPT	3.130	5.492



Cap x P w/ EPDM seals Model - 01561 XL / 40561 XL

Catalog No.	Size	Z (in)	L (in)	
S/S 304	S/S 316	d		
85385	80385	2-1/2"	1.319	3.012
85390	80390	3"	1.358	3.327
85395	80395	4"	1.358	3.720

Cap x P w/ FKM seal Model - 60561 XL / 43561 XL

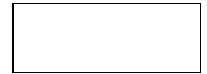
Catalog No.	Size	Z (in)	L (in)	
S/S 304	S/S 316	d		
85387	80387	2-1/2"	1.319	3.012
85392	80392	3"	1.358	3.327
85397	80397	4"	1.358	3.720

Viega... Your Connection to Innovation.

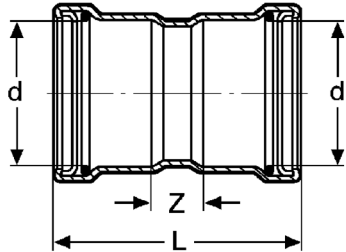
301 N. Main, 9th Floor • Wichita, KS 67202 • Ph: 800-976-9819 • Fax: 800-976-9817 • E-Mail: insidesales@viega.com • www.viega.com

Dimensional Documentation

viega



Coupling P x P w/ Stop w/ EPDM seals Model - 0115 XL / 4015 XL

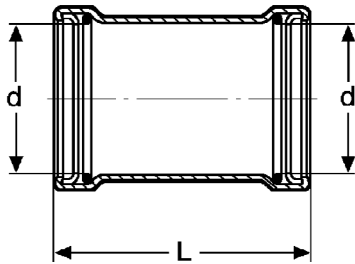


Catalog No.		Size	Z	L
S/S 304	S/S 316	d	(in)	(in)
85295	80295	2-1/2"	0.945	4.331
85300	80300	3"	0.984	4.921
85305	80305	4"	1.063	5.787

Coupling P x P w/ Stop w/ FKM seals Model - 6015 XL / 4315 XL

Catalog No.		Size	Z	L
S/S 304	S/S 316	d	(in)	(in)
85297	80297	2-1/2"	0.945	4.331
85302	80302	3"	0.984	4.921
85307	80307	4"	1.063	5.787

Slip Coupling P x P w/ EPDM seals Model - 01155 XL / 40155 XL

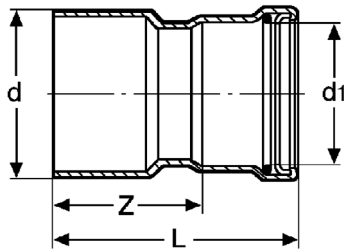


Catalog No.		Size	L
S/S 304	S/S 316	d	(in)
85340	80340	2-1/2"	4.331
85345	80345	3"	4.921
85350	80350	4"	5.787

Slip Coupling P x P w/ FKM seals Model - 60155 XL / 43155 XL

Catalog No.		Size	L
S/S 304	S/S 316	d	(in)
85342	80342	2-1/2"	4.331
85347	80347	3"	4.921
85352	80352	4"	5.787

Reducer FTG x P w/ EPDM seals Model - 01151 XL / 40151 XL



Catalog No.		Size	Z	L
S/S 304	S/S 316	d d1	(in)	(in)
85235	80235	2-1/2" x 2"	2.835	4.409
85240	80240	3" x 2"	3.386	4.961
85245	80245	3" x 2-1/2"	3.209	4.902
85250	80250	4" x 2"	4.272	5.846
85255	80255	4" x 2-1/2"	4.094	5.787
85260	80260	4" x 3"	3.878	5.846

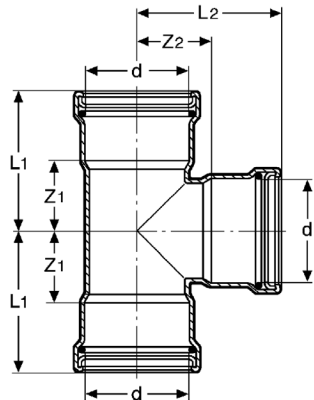
Reducer FTG x P w/ FKM seals Model - 60151 XL / 43151 XL

Catalog No.		Size	Z	L
S/S 304	S/S 316	d d1	(in)	(in)
85237	80237	2-1/2" x 2"	2.835	4.409
85242	80242	3" x 2"	3.386	4.961
85247	80247	3" x 2-1/2"	3.209	4.902
85252	80252	4" x 2"	4.272	5.846
85257	80257	4" x 2-1/2"	4.094	5.787
85262	80262	4" x 3"	3.878	5.846

Viega... Your Connection to Innovation.

301 N. Main, 9th Floor • Wichita, KS 67202 • Ph: 800-976-9819 • Fax: 800-976-9817 • E-Mail: insidesales@viega.com • www.viega.com

Dimensional Documentation

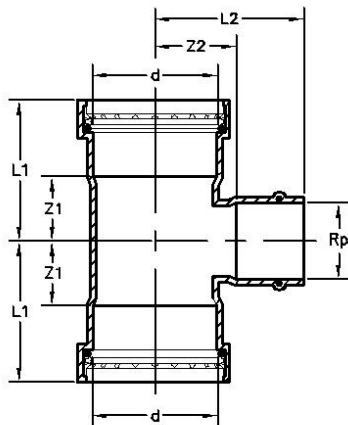


Tee P x P x P w/ EPDM seals Model - 0118 XL / 4018 XL

Catalog No.		Size	Z 1	Z 2	L 1	L 2
S/S 304	S/S 316	d	(in)	(in)	(in)	(in)
85610	80610	2-1/2"	1.831	1.870	3.524	3.563
85615	80615	3"	2.067	2.146	4.035	4.114
85620	80620	4"	2.598	2.657	4.961	5.020

Tee P x P x P w/ FKM seals Model - 6018 XL / 4318 XL

Catalog No.		Size	Z 1	Z 2	L 1	L 2
S/S 304	S/S 316	d	(in)	(in)	(in)	(in)
85612	80612	2-1/2"	1.831	1.870	3.524	3.563
85617	80617	3"	2.067	2.146	4.035	4.114
85622	80622	4"	2.598	2.657	4.961	5.020



Reducing Tee P x P x P w/ EPDM seals Model - 0118 XL / 4018 XL

Catalog No.		Size	Z 1	Z 2	L 1	L 2
S/S 304	S/S 316	d d Rp	(in)	(in)	(in)	(in)
85761	80761	2-1/2" x 2-1/2" x 1-1/2"	1.299	1.744	2.992	3.169
85760	80760	2-1/2" x 2-1/2" x 2"	1.535	1.772	3.228	3.346
85772	80772	3" x 3" x 1-1/4"	1.240	1.929	3.209	2.953
85771	80771	3" x 3" x 1-1/2"	1.319	2.008	3.287	3.425
85770	80770	3" x 3" x 2"	1.555	2.008	3.524	3.583
85780	80780	3" x 3" x 2-1/2"	1.850	2.126	3.819	3.819
85791	80791	4" x 4" x 1-1/2"	1.358	2.520	3.720	3.937
85790	80790	4" x 4" x 2"	1.594	2.520	3.957	4.094
85800	80800	4" x 4" x 2-1/2"	1.890	2.638	4.252	4.331
85810	80810	4" x 4" x 3"	2.067	2.657	4.469	4.626

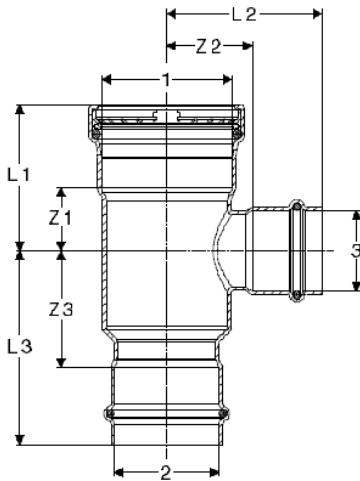
Reducing Tee P x P x P w/ FKM seals Model - 6018 XL / 4318 XL

Catalog No.		Size	Z 1	Z 2	L 1	L 2
S/S 304	S/S 316	d d Rp	(in)	(in)	(in)	(in)
85934	80934	2-1/2" x 2-1/2" x 1-1/2"	1.299	1.744	2.992	3.169
85904	80904	2-1/2" x 2-1/2" x 2"	1.535	1.772	3.228	3.346
85944	80944	3" x 3" x 1-1/4"	1.240	1.929	3.209	2.953
85935	80955	3" x 3" x 1-1/2"	1.319	2.008	3.287	3.425
85905	80905	3" x 3" x 2"	1.555	2.008	3.524	3.583
85914	80914	3" x 3" x 2-1/2"	1.850	2.126	3.819	3.819
85945	80945	4" x 4" x 1-1/2"	1.358	2.520	3.720	3.937
85915	80915	4" x 4" x 2"	1.594	2.520	3.957	4.094
85924	80924	4" x 4" x 2-1/2"	1.890	2.638	4.252	4.331
85925	80925	4" x 4" x 3"	2.067	2.657	4.469	4.626

Viega... Your Connection to Innovation.

301 N. Main, 9th Floor • Wichita, KS 67202 • Ph: 800-976-9819 • Fax: 800-976-9817 • E-Mail: insidesales@viega.com • www.viega.com

Dimensional Documentation

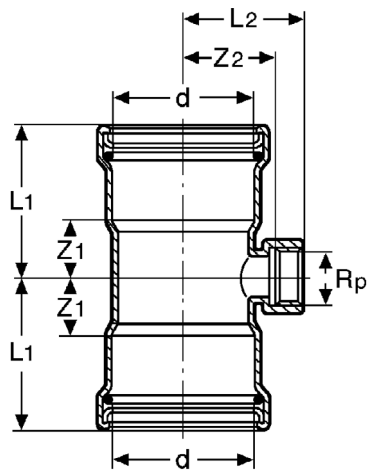


Reducing Tee P x P x P w/ EPDM seals Model - 0118 XL / 4018 XL

Catalog No.		Size			Z 1	Z2	Z3	L1	L2	L3
S/S 304	S/S 316	1	2	3	(in)	(in)	(in)	(in)	(in)	(in)
85763	80763	2-1/2" x 2" x 1-1/2"			1.299	1.744	2.386	2.992	3.169	3.961
85762	80762	2-1/2" x 2" x 2"			1.535	1.791	2.697	3.228	3.366	4.272

Reducing Tee P x P x P w/ FKM seals Model - 6018 XL / 4318 XL

Catalog No.		Size			Z 1	Z2	Z3	L1	L2	L3
S/S 304	S/S 316	1	2	3	(in)	(in)	(in)	(in)	(in)	(in)
85955	80594	2-1/2" x 2" x 1-1/2"			1.299	1.744	2.386	2.992	3.169	3.961
85954	80935	2-1/2" x 2" x 2"			1.535	1.791	2.697	3.228	3.366	4.272



Reducing Tee P x P x F NPT w/ EPDM Seals Model - 01172 XL / 40172 XL

Catalog No.		Size			Z 1	Z2	L1	L2
S/S 304	S/S 316	d	d	Rp	(in)	(in)	(in)	(in)
85950	80950	2-1/2" x 2-1/2" x 3/4"			1.024	1.807	2.717	2.362
85960	80960	2-1/2" x 2-1/2" x 1"			1.024	1.740	2.717	2.402
85970	80970	3" x 3" x 3/4"			1.043	2.004	3.012	2.559
85980	80980	3" x 3" x 1"			1.043	1.976	3.012	2.638
85990	80990	4" x 4" x 3/4"			1.083	2.516	3.445	3.071
86000	81000	4" x 4" x 1"			1.083	2.488	3.445	3.150

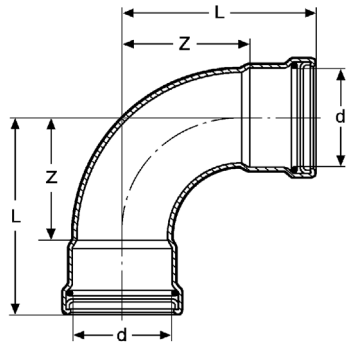
Reducing Tee P x P x F NPT w/ FKM Seals Model - 01172 XL / 40172 XL

Catalog No.		Size			Z 1	Z2	L1	L2
S/S 304	S/S 316	d	d	Rp	(in)	(in)	(in)	(in)
85950	80950	2-1/2" x 2-1/2" x 3/4"			1.024	1.807	2.717	2.362
85960	80960	2-1/2" x 2-1/2" x 1"			1.024	1.740	2.717	2.402
85970	80970	3" x 3" x 3/4"			1.043	2.004	3.012	2.559
85980	80980	3" x 3" x 1"			1.043	1.976	3.012	2.638
85990	80990	4" x 4" x 3/4"			1.083	2.516	3.445	3.071
86000	81000	4" x 4" x 1"			1.083	2.488	3.445	3.150

Viega... Your Connection to Innovation.

301 N. Main, 9th Floor • Wichita, KS 67202 • Ph: 800-976-9819 • Fax: 800-976-9817 • E-Mail: insidesales@viega.com • www.viega.com

Dimensional Documentation

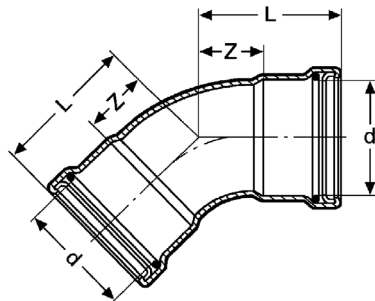


EII 90° P x P w/ EPDM seals Model - 0116 XL / 4016 XL

Catalog No.		Size	Z	L
S/S 304	S/S 316	d	(in)	(in)
85430	80430	2-1/2"	3.189	4.882
85435	80435	3"	3.760	5.728
85440	80440	4"	4.862	7.224

EII 90° P x P w/ FKM seals Model - 6016 XL / 4316 XL

Catalog No.		Size	Z	L
S/S 304	S/S 316	d	(in)	(in)
85432	80432	2-1/2"	3.189	4.882
85437	80437	3"	3.760	5.728
85442	80442	4"	4.862	7.224

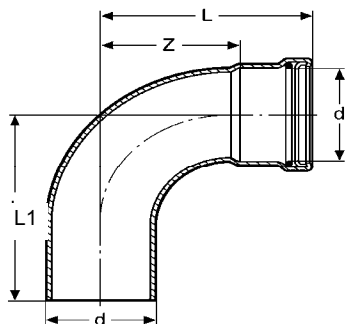


EII 45° P x P w/ EPDM seals Model - 0126 XL / 4026 XL

Catalog No.		Size	Z	L
S/S 304	S/S 316	d	(in)	(in)
85475	80475	2-1/2"	1.484	3.177
85480	80480	3"	1.732	3.701
85485	80485	4"	2.189	4.551

EII 45° P x P w/ FKM seals Model - 6026 XL / 4326 XL

Catalog No.		Size	Z	L
S/S 304	S/S 316	d	(in)	(in)
85477	80477	2-1/2"	1.484	3.177
85482	80482	3"	1.732	3.701
85487	80487	4"	2.189	4.551



EII 90° FTG x P w/ EPDM seals Model - 01161 XL / 40161 XL

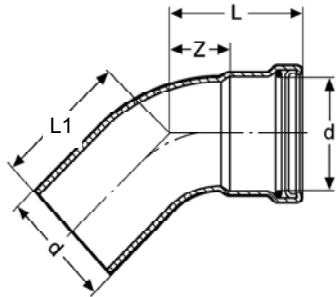
Catalog No.		Size	Z	L	L1
S/S 304	S/S 316	d	(in)	(in)	(in)
85520	80520	2-1/2"	3.189	4.882	4.803
85525	80525	3"	3.760	5.728	5.630
85530	80530	4"	4.862	7.224	7.126

EII 90° FTG x P w/ FKM seals Model - 60161 XL / 43161 XL

Catalog No.		Size	Z	L	L1
S/S 304	S/S 316	d	(in)	(in)	(in)
85522	80522	2-1/2"	3.189	4.882	4.803
85527	80532	3"	3.760	5.728	5.630
85532	80433	4"	4.862	7.224	7.126

Viega... Your Connection to Innovation.

Dimensional Documentation

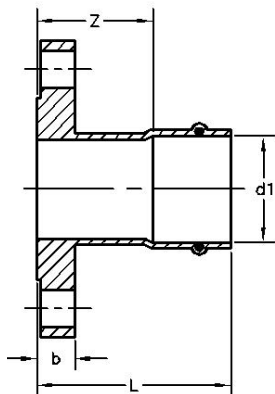


EII 45° FTG x P w/ EPDM seals Model - 01261 XL / 40261 XL

Catalog No.		Size	Z	L	L1
S/S 304	S/S 316	d	(in)	(in)	(in)
85565	80565	2-1/2"	1.484	3.177	3.098
85570	80570	3"	1.732	3.701	3.602
85575	80575	4"	2.189	4.551	4.453

EII 45° FTG x P w/ FKM seals Model - 60261 XL / 43261 XL

Catalog No.		Size	Z	L	L1
S/S 304	S/S 316	d	(in)	(in)	(in)
85567	80567	2-1/2"	1.484	3.177	3.098
85572	80572	3"	1.732	3.701	3.602
85577	80577	4"	2.189	4.551	4.453

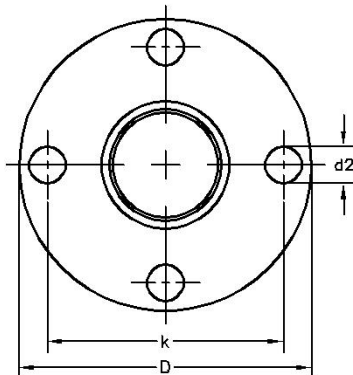


Flange P x Flange w/ EPDM seals Model - 0159 XL / 4059 XL

Catalog No.		Size	Z	L	b	D	k	d2
S/S 304	S/S 316	d	(in)	(in)	(in)	(in)	(in)	(in)
86065	81065	2-1/2"	1.346	3.039	0.894	7.087	5.512	0.748
86070	81070	3"	1.429	3.398	0.957	7.480	5.984	0.748
86075	81075	4"	1.429	3.791	0.957	9.055	7.520	0.748

Flange P x Flange w/ FKM seals Model - 6059 XL / 4359 XL

Catalog No.		Size	Z	L	b	D	k	d2
S/S 304	S/S 316	d	(in)	(in)	(in)	(in)	(in)	(in)
86067	81067	2-1/2"	1.346	3.039	0.894	7.087	5.512	0.748
86072	81072	3"	1.429	3.398	0.957	7.480	5.984	0.748
86077	81077	4"	1.429	3.791	0.957	9.055	7.520	0.748



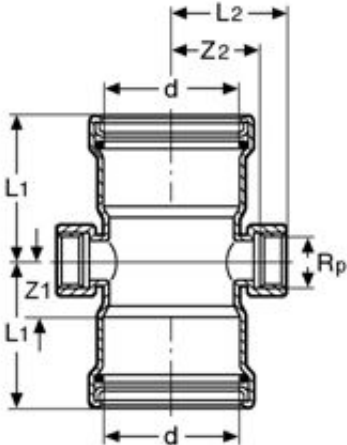
Viega... Your Connection to Innovation.

301 N. Main, 9th Floor • Wichita, KS 67202 • Ph: 800-976-9819 • Fax: 800-976-9817 • E-Mail: insidesales@viega.com • www.viega.com

Dimensional Documentation

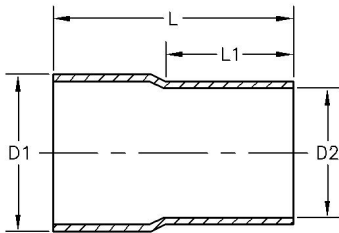


Cross P x P x F NPT x F NPT w/ EPDM seals Model - 40441 XL



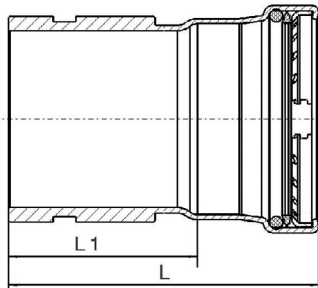
S/S 316	Size		Z 1	Z2	L1	L2
	d	Rp	(in)	(in)	(in)	(in)
80067	2-1/2	3/4	1.024	1.087	2.717	2.362
80069	3	3/4	1.043	2.004	3.012	2.559
80068	4	3/4	1.083	2.516	3.445	3.071

Transition P X Weld - w/out Seal Model - 0113.1XL & 4013.1XL



Catalog No.		Size		L	L1
S/S 304	S/S 316	D1	D2	(in)	(in)
85135	80081	2-1/2" ID	2-1/2" OD	4.370	2.323
85145	80082	3" ID	3" OD	4.567	2.598
85155	80083	4" ID	4" OD	5.157	2.992

Transition P X Groove - EPDM Seals Model - 0113.2XL & 4013.2XL



Catalog No.		Size	L	L1
S/S 304	S/S 316	d1	(in)	(in)
85166	80064	2-1/2"	4.331	2.638
85177	80061	3"	4.626	4.528
85188	80063	4"	5.020	5.315

Viega... Your Connection to Innovation.

301 N. Main, 9th Floor • Wichita, KS 67202 • Ph: 800-976-9819 • Fax: 800-976-9817 • E-Mail: insidesales@viega.com • www.viega.com