

**Features**

- 29<sup>7</sup>/<sub>8</sub>" (759) x 20<sup>1</sup>/<sub>4</sub>" (514) x 10" (254) undermount kitchen sink.
- Sized to fit standard cabinet front
- Large single compartment.
- Farmhouse style with a wrap around 6<sup>5</sup>/<sub>8</sub>" (168) high apron front.
- Handcrafted from 16 gauge 304 stainless steel. Channel grooves in sink bottom direct water to drain.
- Premium brush finish.
- Includes a stainless steel bottom sink grid and stainless covered flip-top sink strainer.
- 3/8" (10mm) radius corners.
- 5mm sound deadening pads.
- Fits 30" (762) base cabinet width.

**Components**

- Product includes:
- TSGD30201 Bottom Sink Grid
  - 2210R Covered Sink Strainer
  - Cutout Template
  - Installation Hardware
  - Installation Instructions

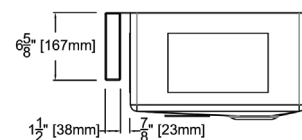
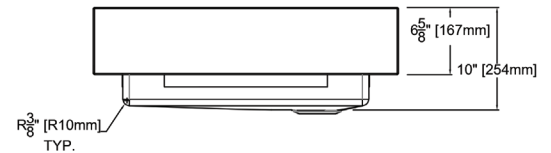
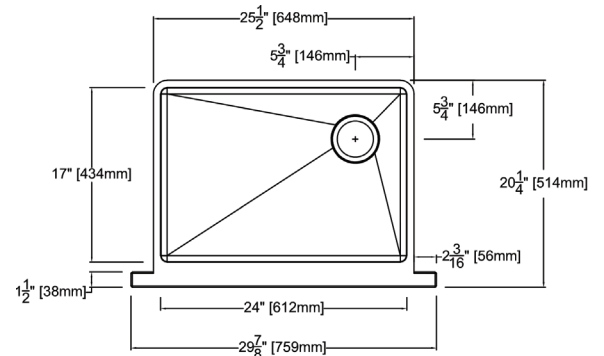
**Warranty**

- Lifetime Limited Warranty



**Specified Model**

Model	EHU014-30
Overall Dimensions	L29 <sup>7</sup> / <sub>8</sub> " x W20 <sup>1</sup> / <sub>4</sub> " x D10" 7590 x 514 x 254
Bowl Dimensions	L24" x W17" x D10" 612 x 434 x 254
Drain hole:	3 <sup>5</sup> / <sub>8</sub> " (92mm)
Shipping Weight	43 lbs.
Material	16 gauge 304 stainless steel
Installation	under counter mounted
Required	template, included



**Codes/Standards**

ASME A112.19.3/CSA B45.4

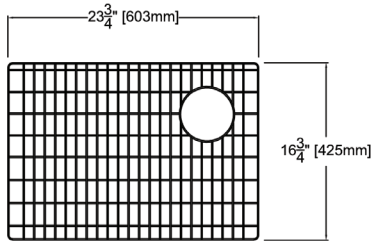
**Notes**

Install this product according to the installation instructions.

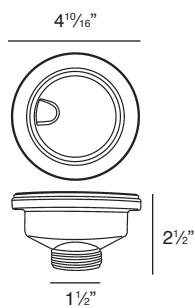
**Components**

Product includes:

TSGD30201 Bottom Sink Grid Set



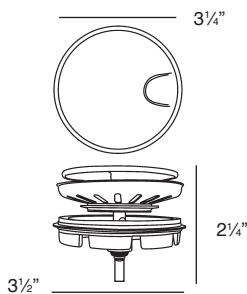
**2210R Covered Flip Top Sink Strainer.**



Water drains easily when cover is in place. Cover flips up with easy touch. Polypropylene housing. Fits standard 3<sup>1</sup>/<sub>2</sub>" opening.

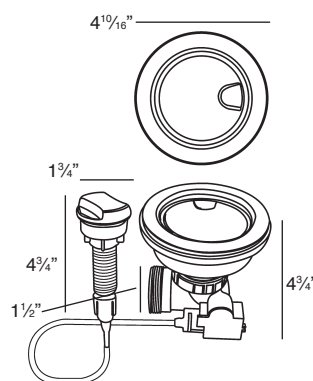
**Optional Accessories**

**4010 Covered Flip Top Disposer Strainer.**



Water drains easily when cover is in place. Cover flips up with easy touch. Polypropylene housing. Top mount installation for 3<sup>1</sup>/<sub>2</sub>" opening.

**2310 Remote Covered Flip Top Sink Strainer.**



Turn the remote knob to open and close drain. Water drains easily when cover is in place. Cover flips up with easy touch. Polypropylene housing. Fits standard 3<sup>1</sup>/<sub>2</sub>" opening. 1<sup>3</sup>/<sub>8</sub>" hole required in countertop for remote installation. Remote cable 25<sup>1</sup>/<sub>2</sub>" L.