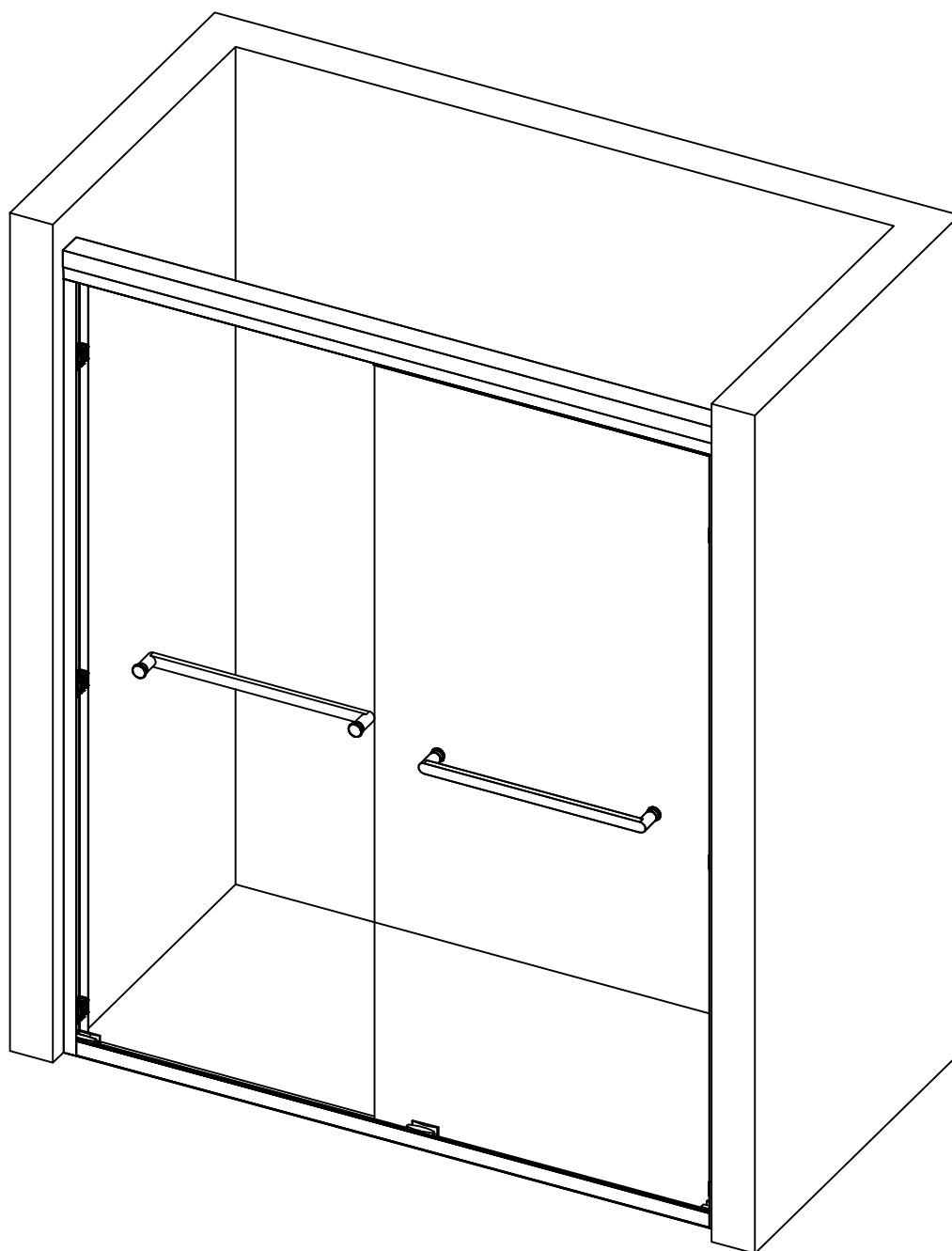


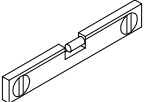
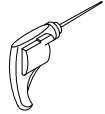
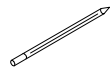

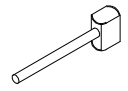

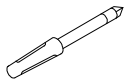
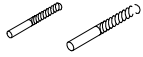
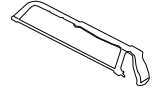

# INSTRUCTION MANUAL



2 PEOPLE REQUIRED

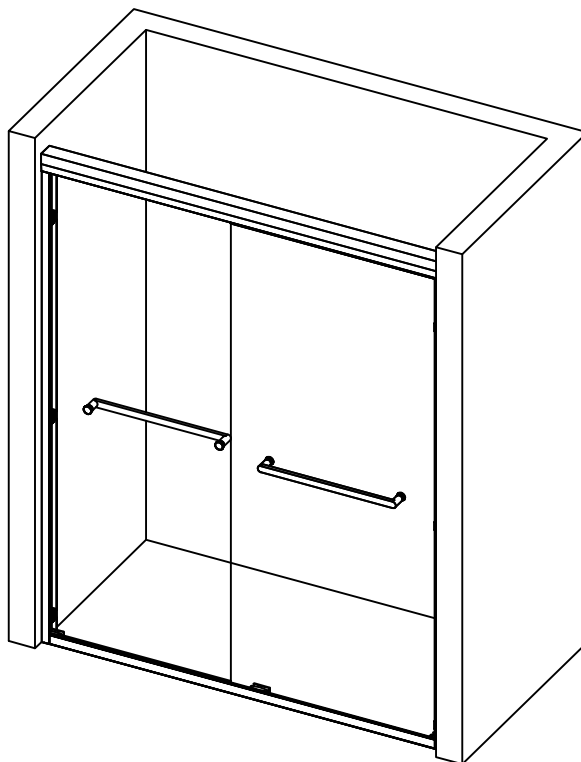


## TOOLS REQUIRED

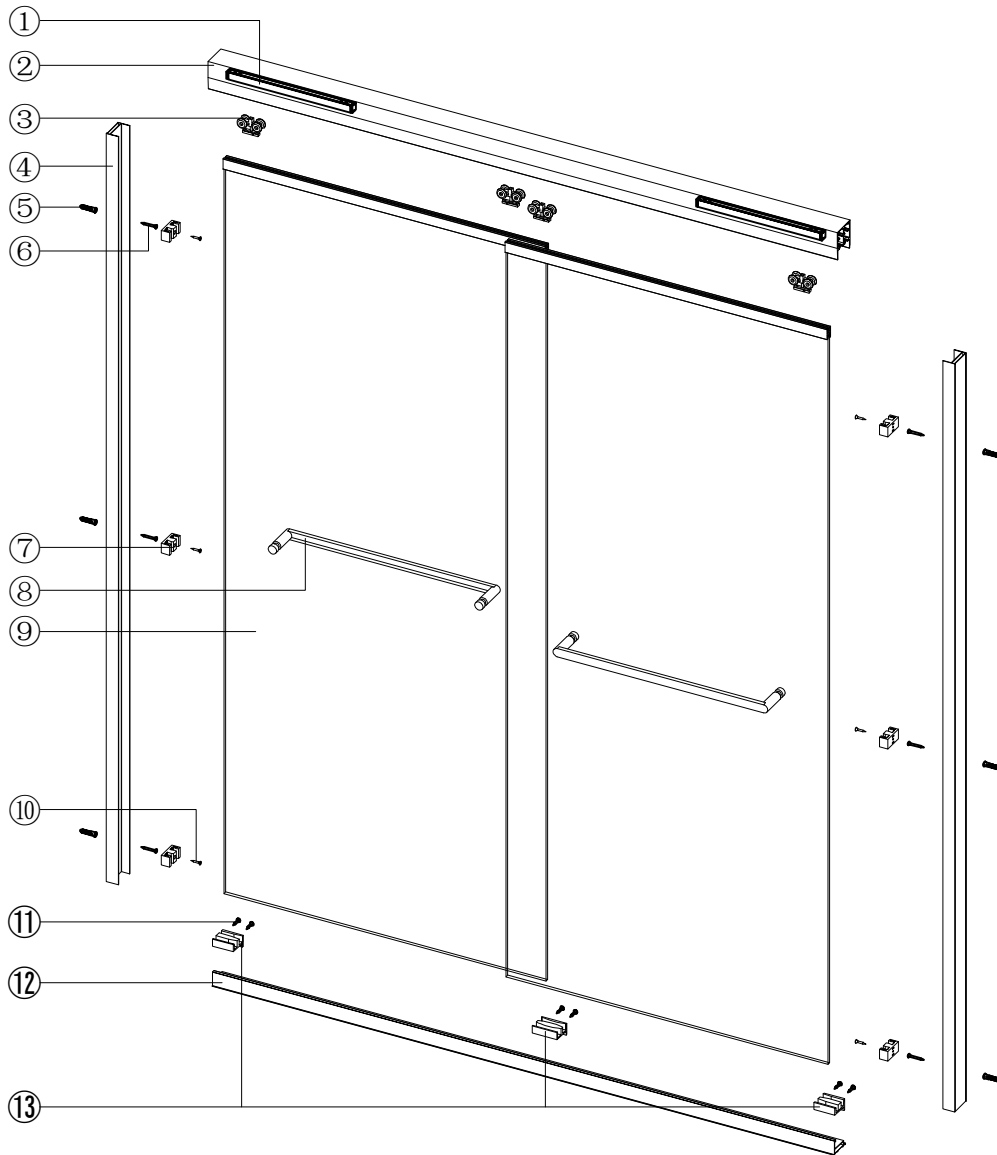
|   |   |  |  |   |
|---|---|--|--|---|
| <br>SPIRIT LEVEL | <br>POWER DRILL  | <br>PENCIL                          | <br>SILICONE | <br>MALLET         |
| <br>TAPE MEASURE | <br>SCREW DRIVER | <br>6mm&3mm(1/4"&1/8")<br>DRILLBITS | <br>HACKSAW  | <br>SAFETY GLASSES |



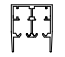
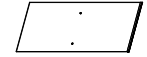
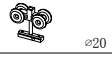
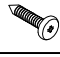


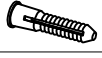
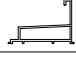




\* Use a 6mm( $\frac{1}{4}$ " ) drill bit or ceramic when drilling into ceramic tiles

## CHOOSE A CONFIGURATION



# PARTS LISTING



| NO. | Name                 | Picture  | Qty | NO. | Name               | Picture   | Qty |
|-----|----------------------|--|-----|-----|--------------------|---|-----|
| 1   | Square damper        |                       | 4   | 8   | Towel bar          |  | 2   |
| 2   | Guide Rail           |                       | 1   | 9   | Sliding door glass |  | 2   |
| 3   | Roller               |  <small>φ20</small>   | 4   | 10  | screw ST4x16       |  | 6   |
| 4   | Wall profile         |                       | 2   | 11  | screw ST4x10       |  | 6   |
| 5   | 6mm Wall plug        |                       | 6   | 12  | Bottom profile     |  | 1   |
| 6   | screw ST4x30         |  <small>圆头自攻丝</small> | 6   | 13  | Guide block        |  | 3   |
| 7   | Anti Collision Block |                       | 6   | 14  | Special wrench     |  | 1   |







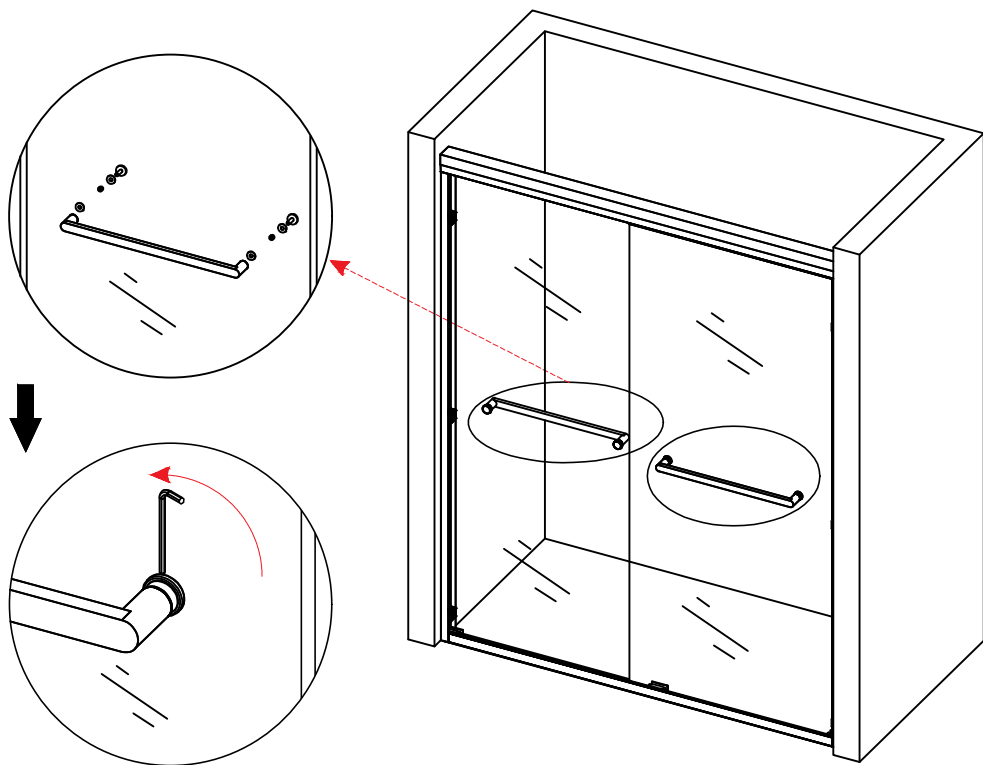




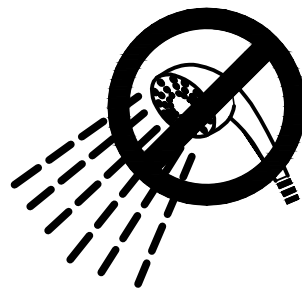
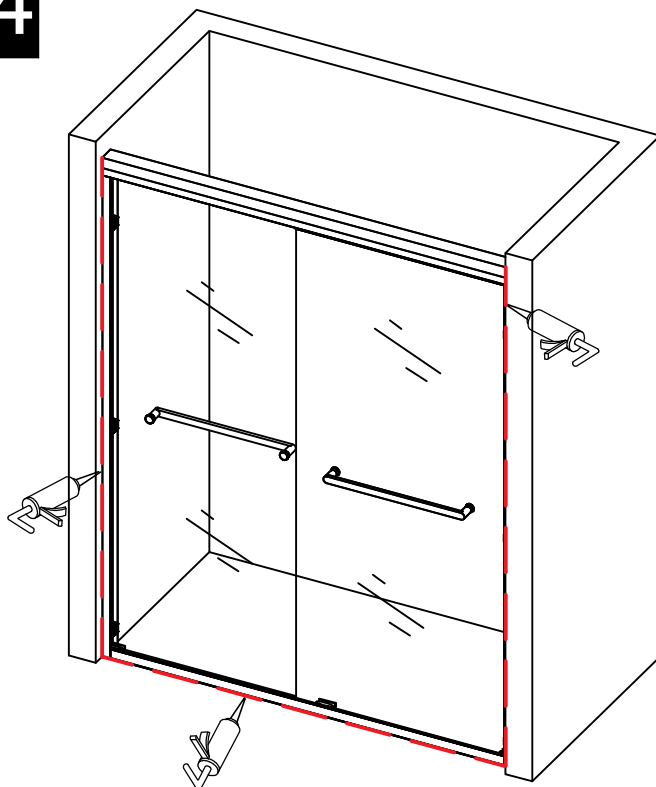




13



14



**24** HOURS