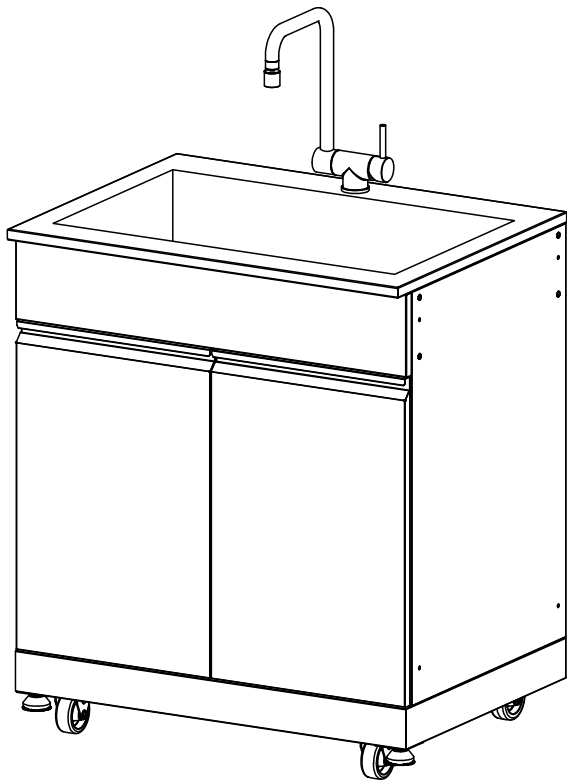
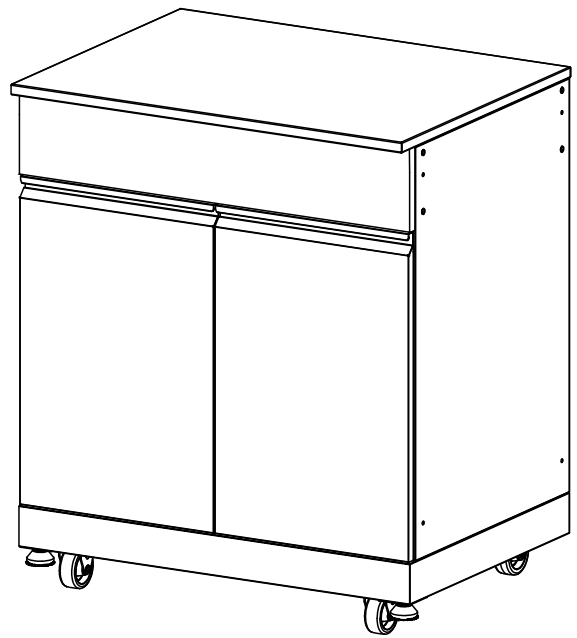


Use and Care Manual



Stainless steel outdoor cabinet with
sink and faucet
MODEL #OSC 3224



Stainless steel outdoor cabinet
with 32in worktop
MODEL #OUC 3224

IMPORTANT:

1. One carton containing cabinet board and hardware. (For #OSC 3224 or #OUC 3224)
2. One carton containing sink, faucet and strainer. (For #OSC 3224 only)
3. One carton containing 32in worktop. (For #OUC 3224 only)

Table of Contents

Table of Contents	2	Outdoor cabinet with sink and faucet installation	11
Safety Information	2	Outdoor cabinet with 32in worktop installation	14
Pre-Installation	3	Weight capacity	15
Tools/Materials Required	3	Care and Cleaning	15
Package Contents	4	Cabinet	15
Installation	6	Maintenance	16
Cabinet Installation	6	Faucet	16
		Sink	16

Safety Information

READ AND SAVE THESE INSTRUCTIONS

1. Inspect your unit before proceeding. Once you unpack your unit, check for chips, scratches, cracks, dents or scuff marks. If any damage is noticed, do not install.
2. Use this unit only in the manner intended by the manufacturer. If you have any questions, contact the manufacturer.
3. Installation work and plumbing must be done by qualified person(s) in accordance with all applicable codes and standards.
4. Protect the entire surface during installation.
5. All holes drilled into the unit must be done from the finished surface side with extreme care and caulked very carefully to form a watertight barrier.



DANGER: Always wear safety goggles and gloves in order to avoid personal injury.



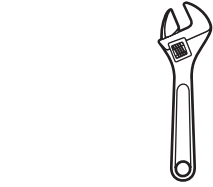
DANGER: NEVER allow children to stand, climb or hang on drawers, doors, or shelves.



DANGER: NEVER open more than one drawer at a time. Place heaviest items in the lowest drawers.

Pre-Installation

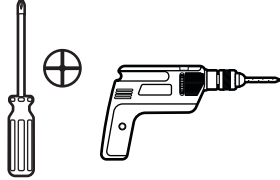
TOOLS/MATERIALS REQUIRED (NOT SUPPLIED)



Adjustable wrench



Needle nose pliers



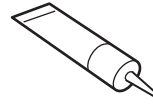
Phillips screwdriver



Utility knife



Pipe wrench



Sealant



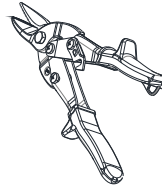
Carpenter's level



Safety goggles



Safety gloves



Tin snip cut

TOOLS REQUIRED (SUPPLIED)



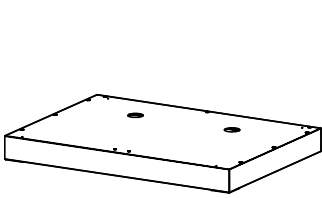
Open end wrench

Pre-Installation (continued)

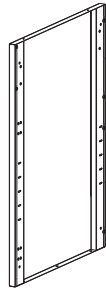
PACKAGE CONTENTS



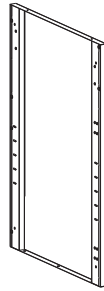
Warning: Carefully check the cabinet for damage and/or missing parts prior to installation. If there is any damage or if you are missing parts, do not proceed with the installation. Report damage and/or missing parts immediately to our customer service team. Please do not dispose of packaging before you are satisfied with your new cabinet.



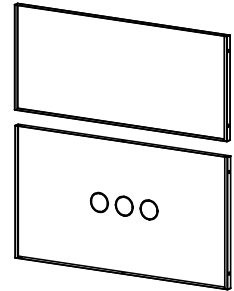
A



B

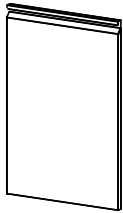


C

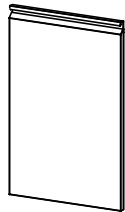


E

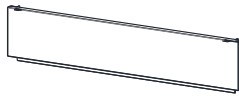
D



F



G



V



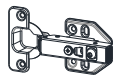
I x 2



J x 2



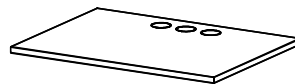
K x 2



L x 4



M



N



O x 2



P x 37



Q x 4



R x 4



S x 2



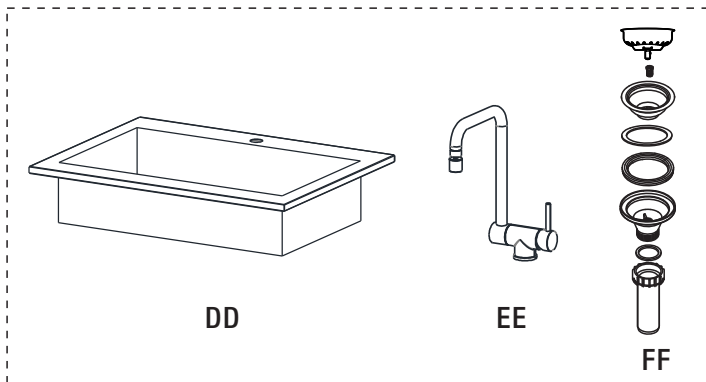
T x 26



U x 16



W

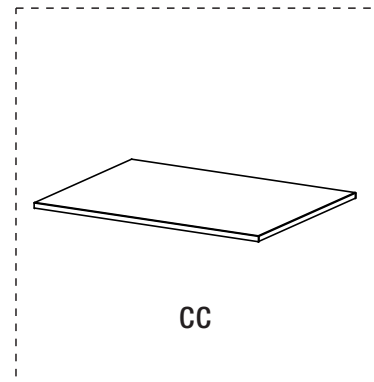


DD

EE

FF

For #OSC 3224 only



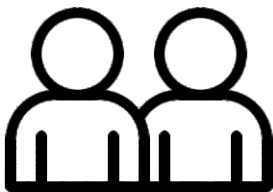
CC

For ##OUC 3224 only

Pre-Installation (continued)

PACKAGE CONTENTS

Part	Description	Size	Quantity	Remark
A	Bottom Panel	813x577x76mm	1	
B	Left side panel	556x773x21.5mm	1	
C	Right side panel	556x773x21.5mm	1	
D	Back panel lower part	770x430x20mm	1	
E	Back panel upper part	770x341.5x20mm	1	
F	Left door	403x613x19mm	1	
G	Right door	403x613x19mm	1	
H	Decoration panel	813x169x36mm	1	
I	Universal caster with brake		2	
J	Fixed caster		2	
K	Supporting leg		2	
L	Door hinge		4	
M	Door barrier strip		1	
N	Shelf board	736x542x20mm	1	
O	Shelf support		2	
P	Phillips hex head screw with washer	M6x15	37	
Q	Flat head step phillips screws	M4x8	4	
R	Nut	M4	4	
S	Philips pan head screw with washer	M4x12	2	
T	Flat head hinge screw	M4x12	26	
U	Self-adhesive screw cover sticker		16	
DD	Sink		1	
EE	Faucet		1	For MODEL #OSC 3224 only
FF	Strainer		1	
CC	32" Worktop	813x610x20mm	1	For MODEL #OUC 3224 only
W	Raincover		1	



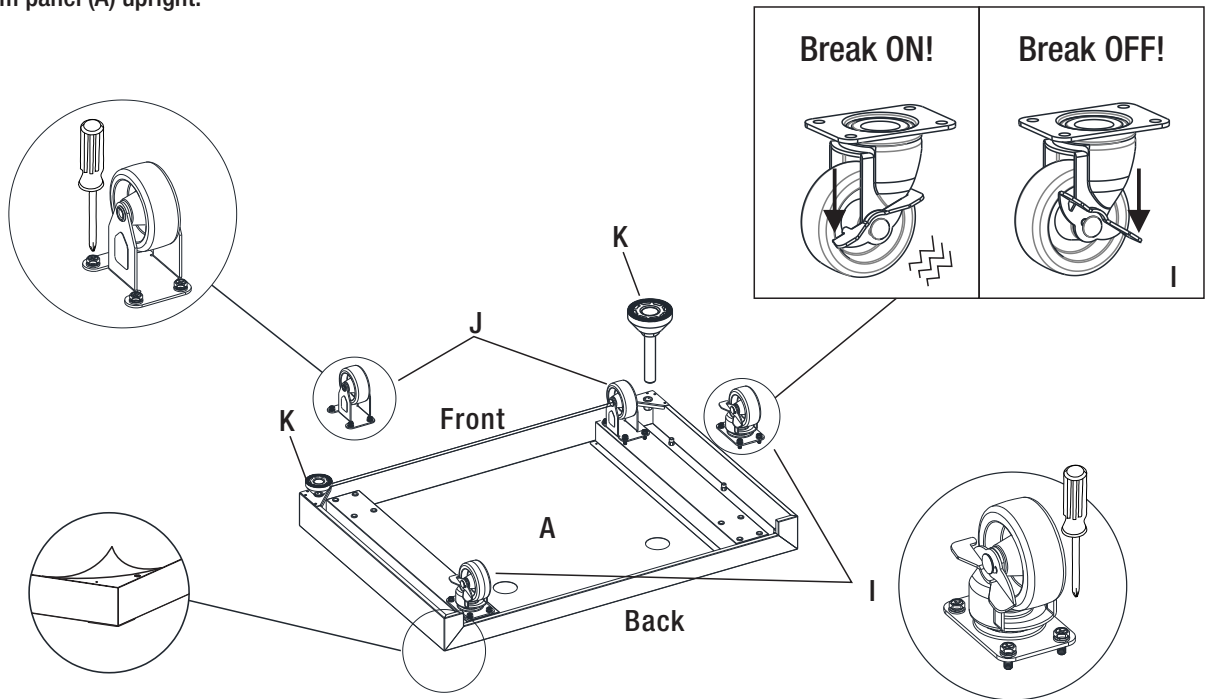
You will need at least two people to install this unit properly.

Estimated Assembly Time: 1 hour

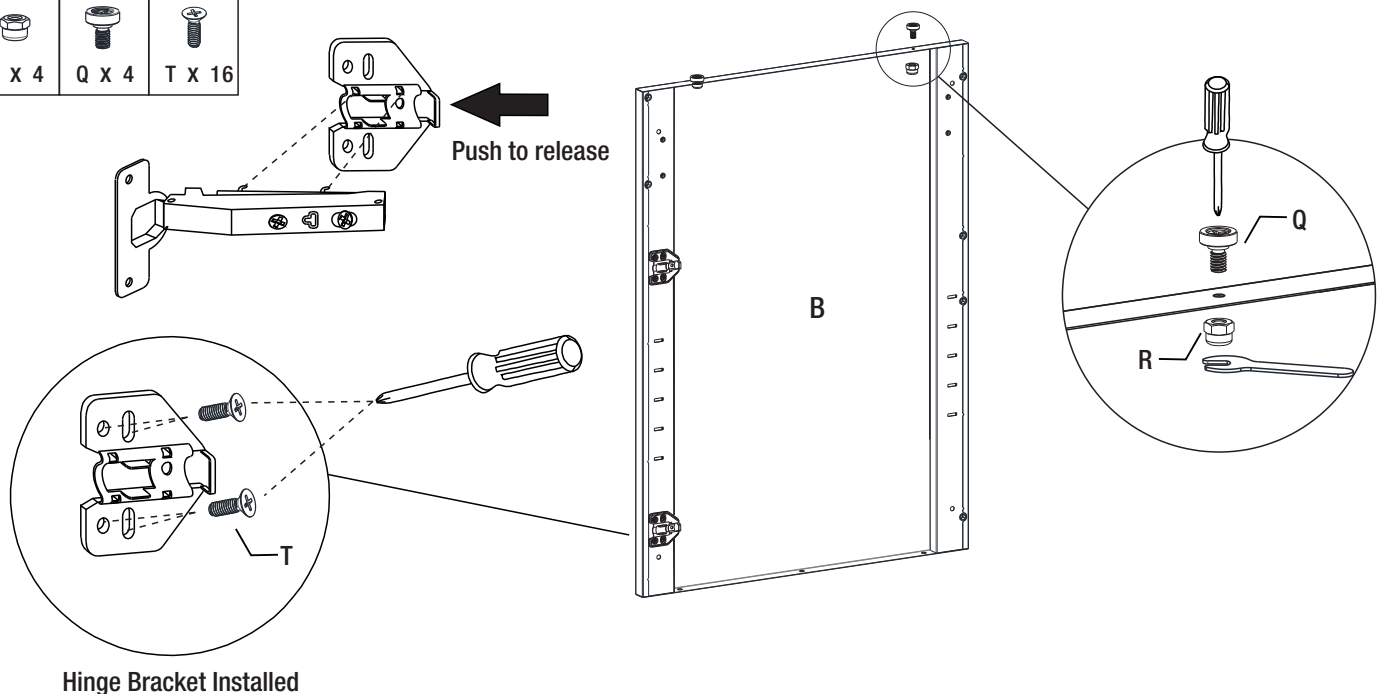
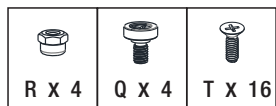
Installation

CABINET ASSEMBLY

1. Remove the protect film before installation. Turn the bottom panel (A) over and place it onto a protective surface. Connect fixed caster (J) and universal caster with brake (I) on bottom panel (A) with screw (P). Attached supporting leg (K) on bottom panel (A) and tighten the screw. Gently put the bottom panel (A) upright.



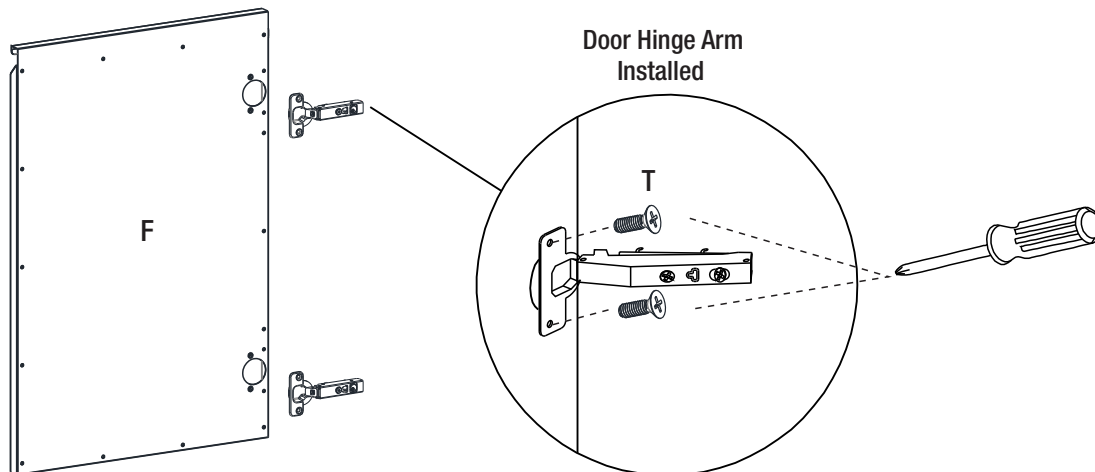
2. Unassemble the door hinges by pushing the button of quick release. Install hinge bracket on the left side panel (B) and right panel (C) with pre-drilled screw holes. Please noted only the elliptical adjustment screw hole needs to be fixed at this step. Install the screw (Q) and nut (R) by screwdriver and open end wrench on the top of left panel (B) and right panel (C). Do not overtighten.



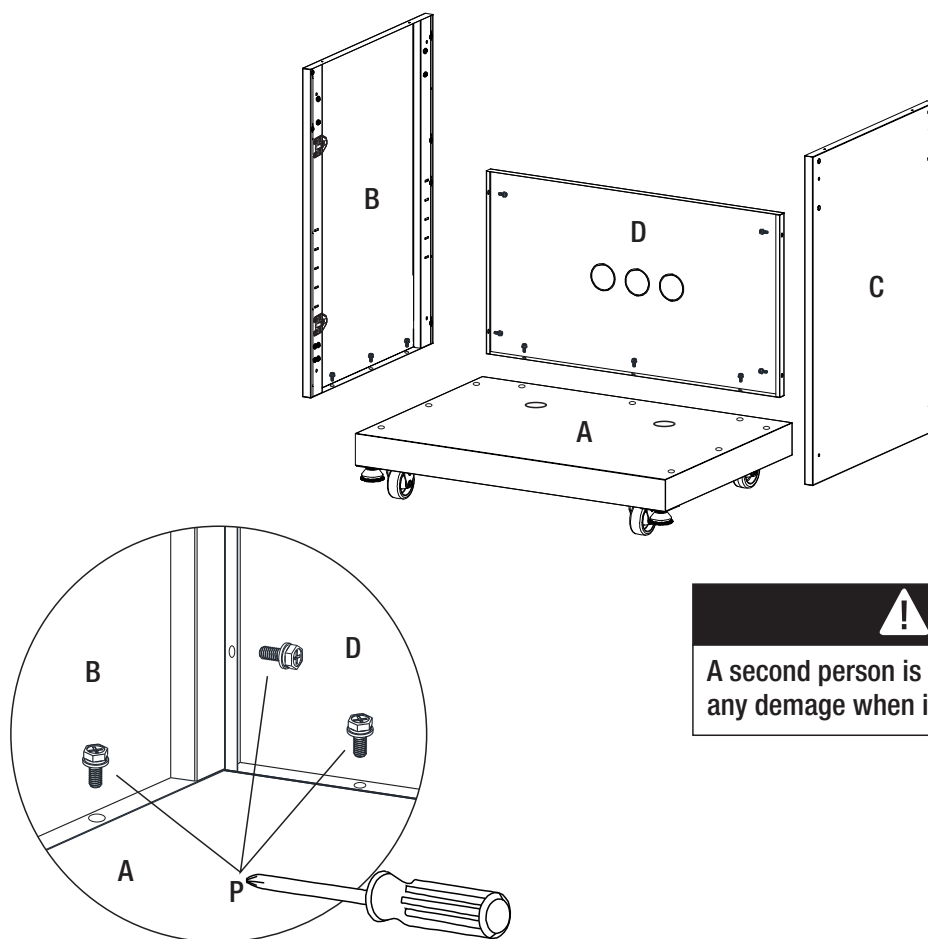
Hinge Bracket Installed

Installation (continued)

3. Install the door hinge arm on the left door (F) and right door (G).



4. Connect the left panel (B), right panel (C) and lower back panel (D) on the bottom panel (A) with screw (P).

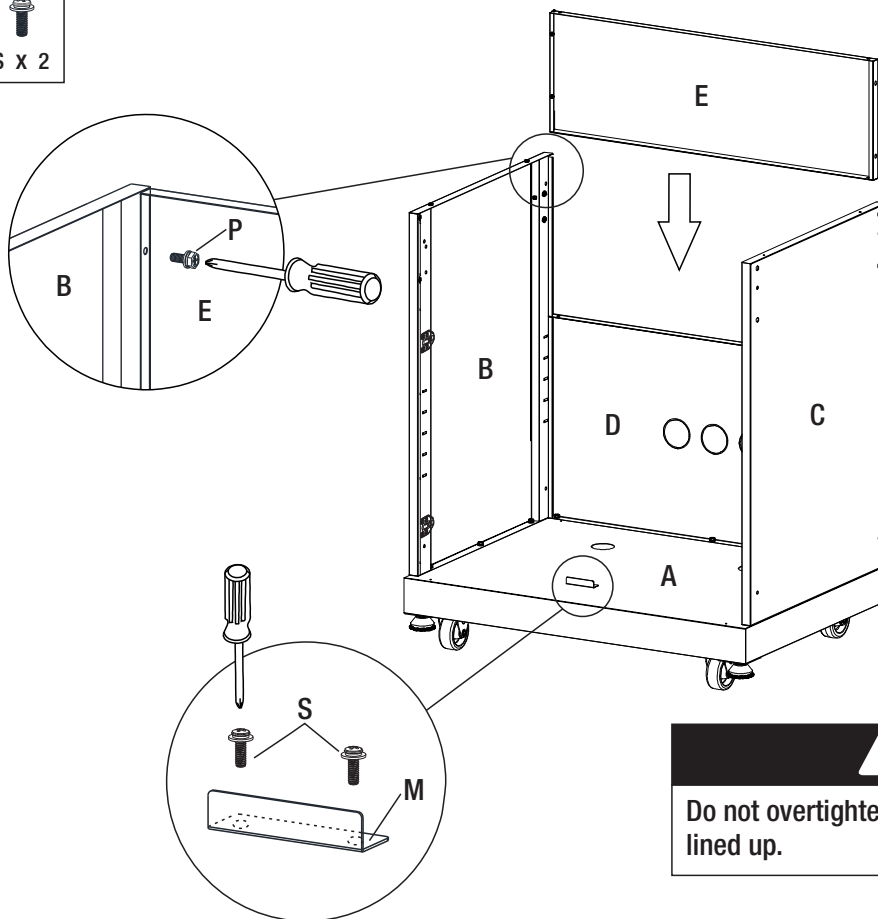


! WARNING!

A second person is need to hold the panel to avoid any damage when installation.

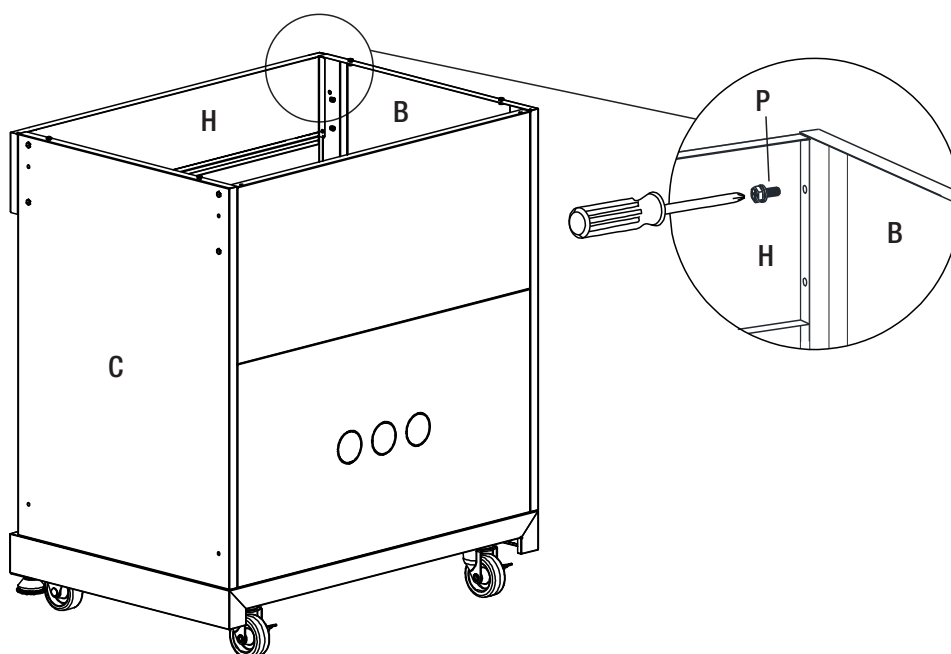
Installation (continued)

5. Connect the upper back panel (E) on the lower back panel (D).
Install the door barner strip (M) on the bottom panel (A).



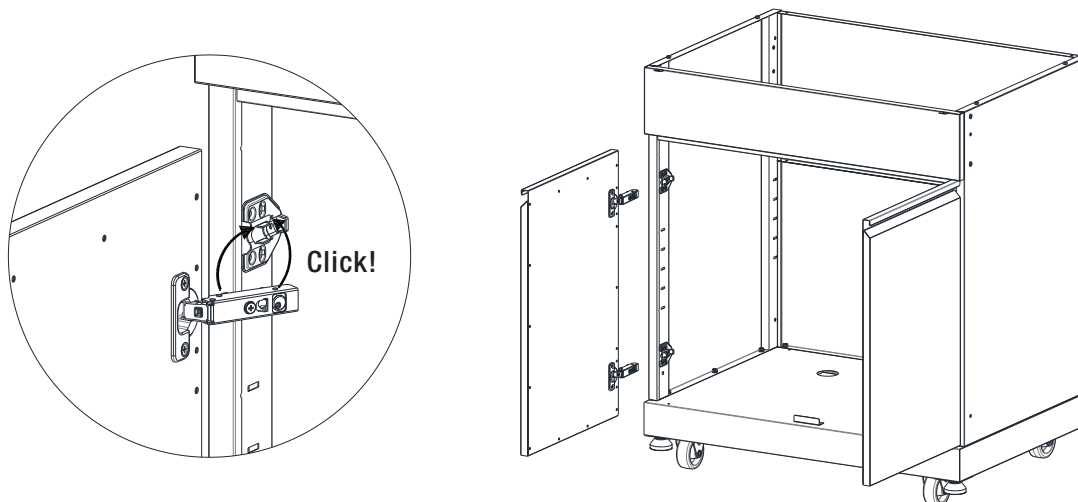
! WARNING!
Do not overtighten all the screws until parts are lined up.

6. Connect the decoration panel (H) with left side panel (B) and right side panel (C) with screws (P).

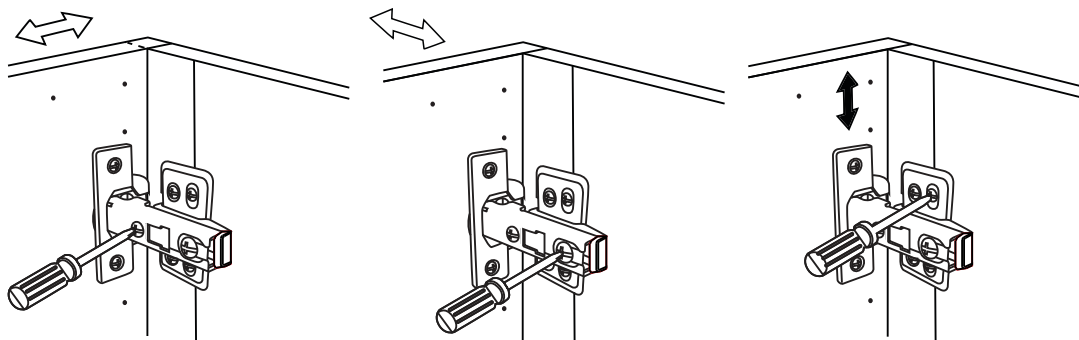


Installation (continued)

7. The hinges installed on the doors are designed to hook and click into the hinge plates installed on the side panel. You will hear a click sound when the hinges are properly engaged in the hinge plates.

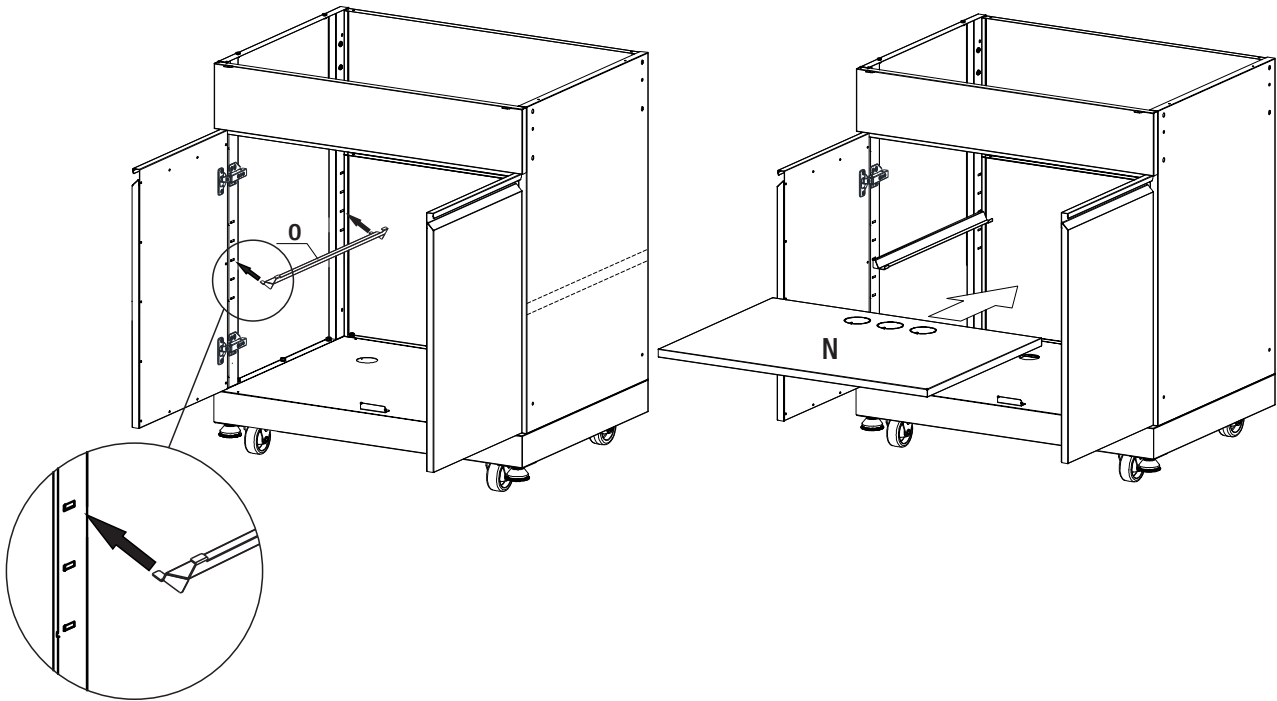


8. If the doors need to be repositioned, the hinges can be adjusted to ensure a precise fit with the cabinet. The lateral adjustment screw adjusts the door left or right. Horizontal adjustment of the screws adjust the door forward and backward. Vertical adjustment of the screws adjust the door up and down.

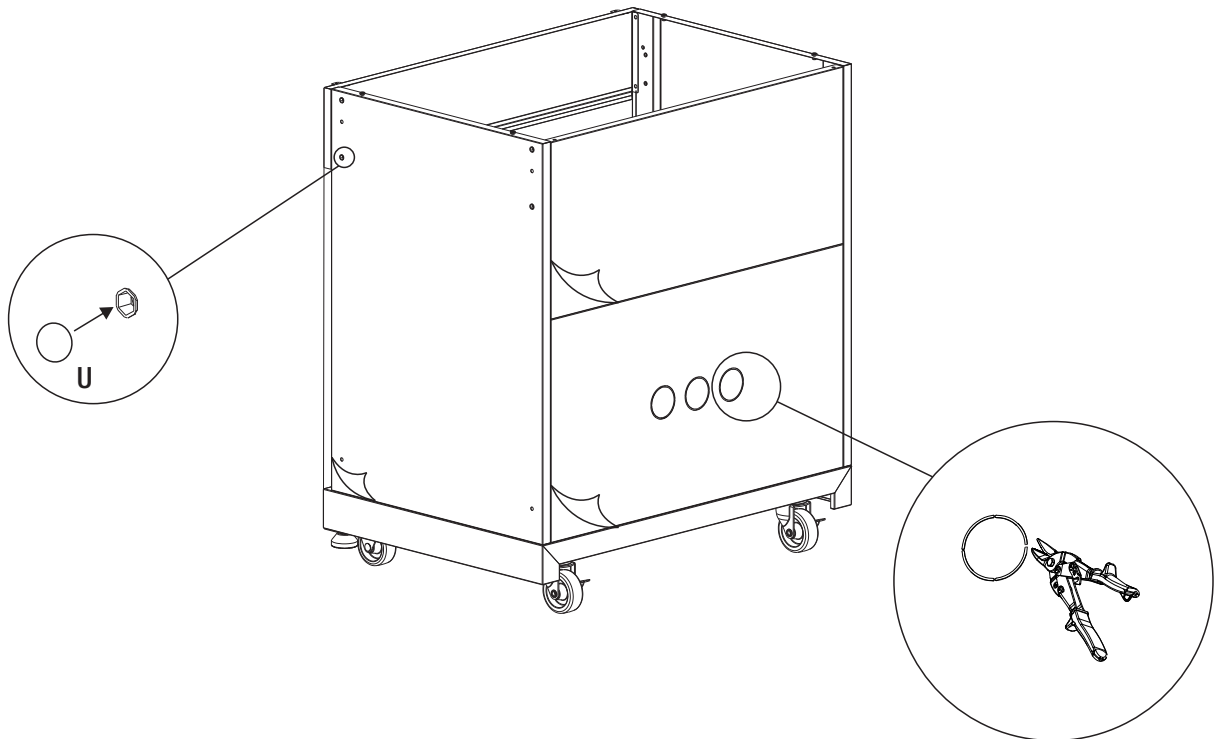


Installation (continued)

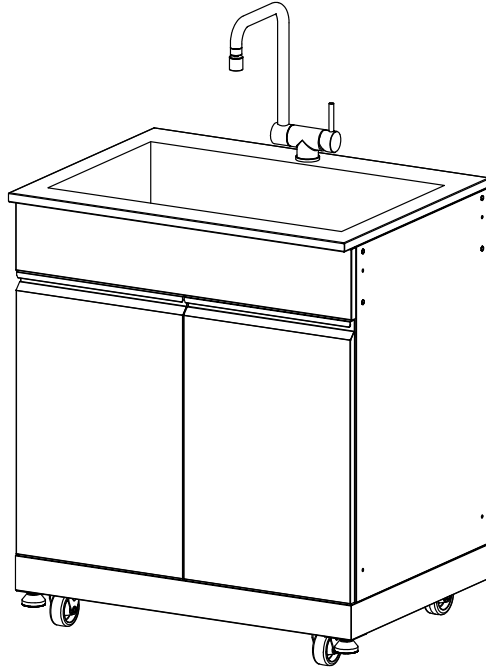
9. Push shelf support (O) into holes at desired locations. Gently put the shelf board (N) on the shelf board support.



10. Using tin snips cut small webs to release the knockouts if needed. Cover the screw connection holes on side panel with supplied self-adhesive screw cover sticker (U). Remove the protect film before using.



Installation(Outdoor cabinet with sink and faucet Model #OSC3224)



If you choose Model #OSC 3224, please refer to step 11-14.

11.Strainer Inatallation

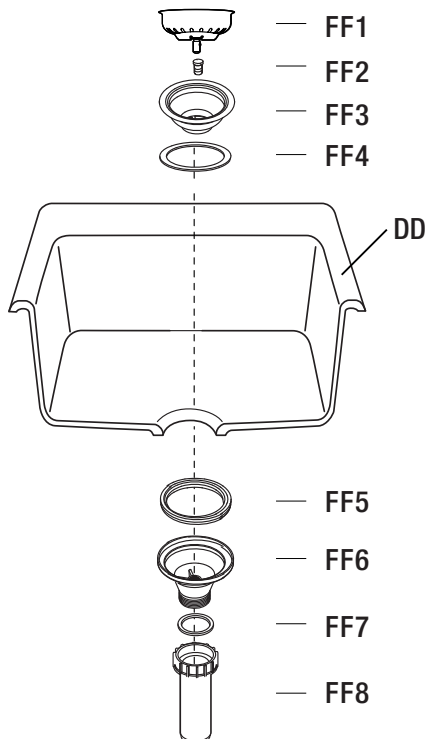
Place the gasket (FF4) on top of the other drain hole in the sink (DD), followed by the strainer bowl (FF3).

From underneath the sink (DD), position the double lip seal (FF5) with grooves facing up on the drain holes, followed by the waste bowl (FF6).

From the top of the drain hole, screw the screw (FF2) into the waste bowl (FF3).

Position the gasket (FF7) at the base of the waste bowl (FF6) and screw the fitting (FF8) to the base of the waste bowl (FF6).

Insert the assembled basket (FF1) into the strainer bowl (FF3).



Installation (Outdoor cabinet with sink and faucet)

12. Faucet Installation

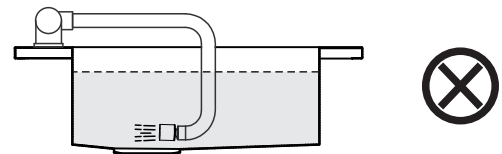
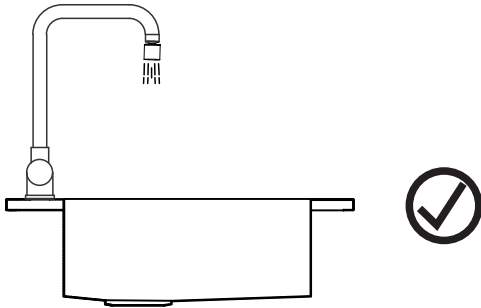
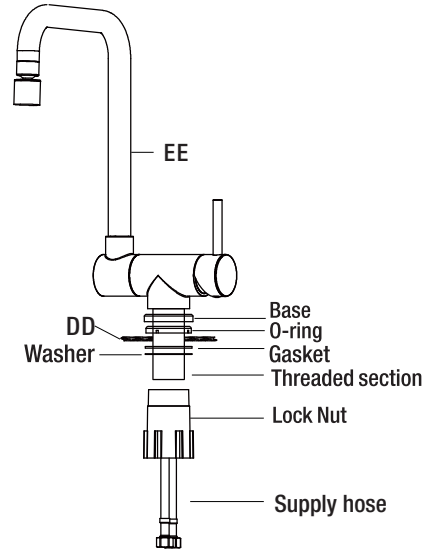
Carefully unpack the parts of the faucet (EE). The faucet body is pre-assembled.

Place the faucet body and the o-ring carefully through the hole in the sink (DD).

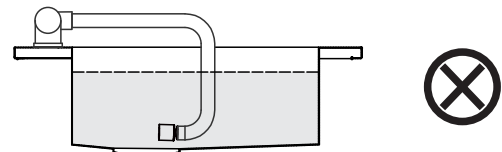
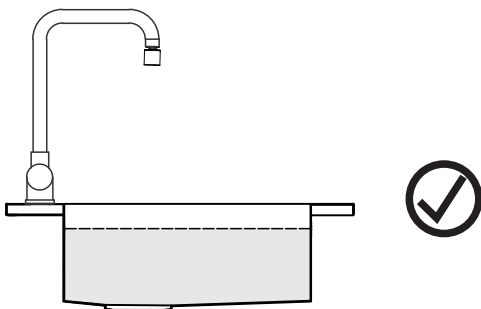
From underneath, slide the washer, gasket, and lock nut over the exposed threaded section of the faucet. Tighten the lock nut by hand until it is snug.

Connect and tighten the supply hoses.

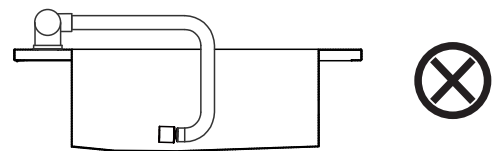
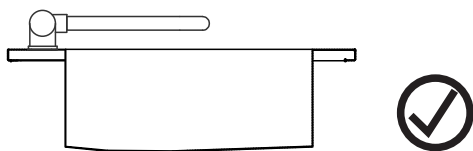
Do not submerge the faucet in the sink when it is filled with water.



When the faucet is under using, please keep the faucet vertically.



Do not submerge the faucet in the sink when it is filled with water.

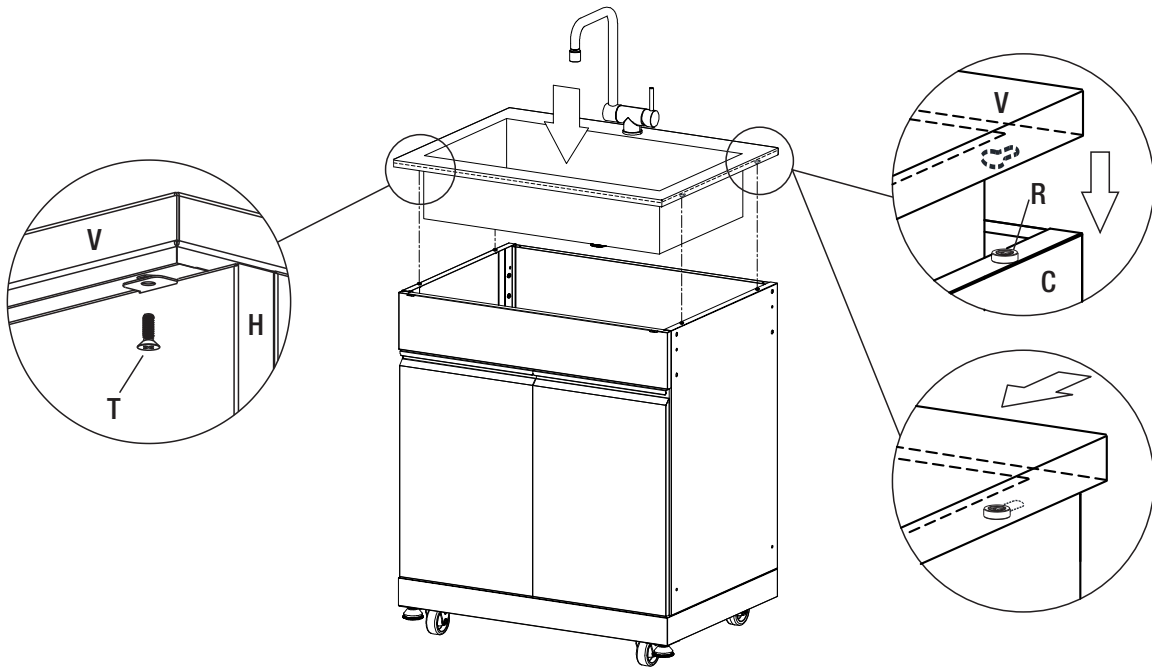


When you don't use the faucet, please keep the faucet flat.

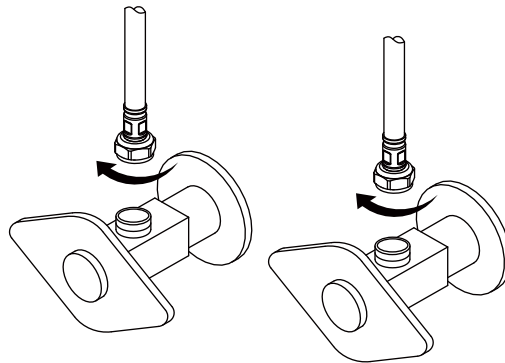
Installation (Outdoor cabinet with sink and faucet)

13.Placement

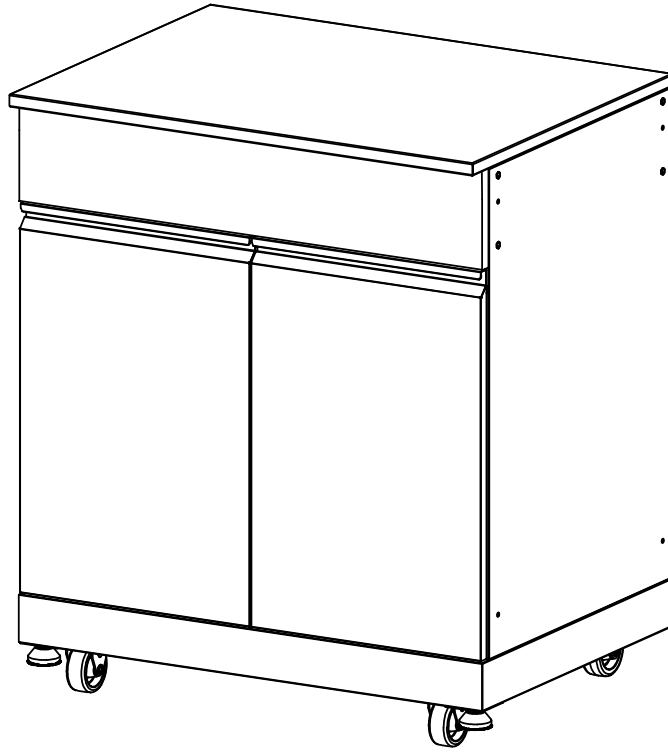
Gently put the sink on the cabinet. Push the sink forward until the screw hole on the sink (DD) is aligned with the hole on the cabinet (H). Then lock the screw (T).



14. Move the assembled unit to its final location. Final hook up of the supply lines and drain system can now be completed.

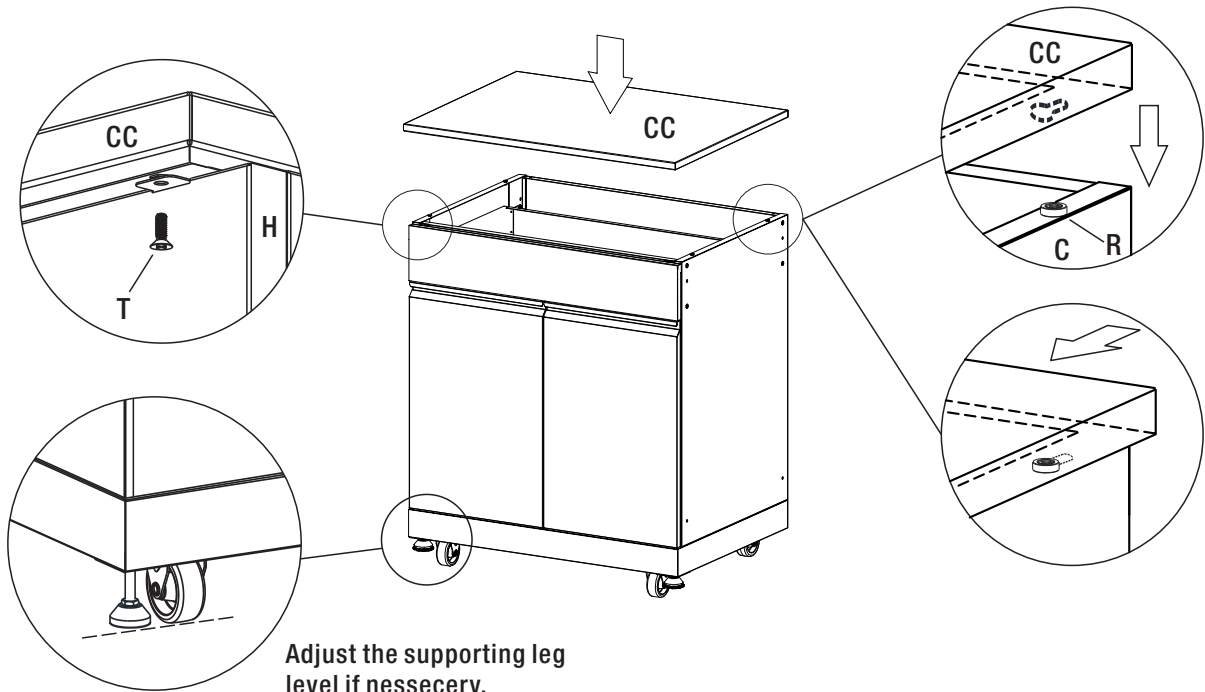


Installation (Outdoor cabinet with 32in countertop)



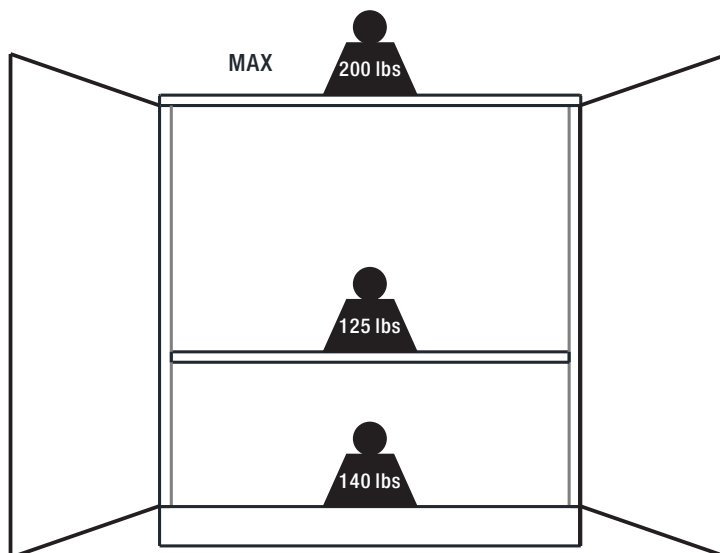
If you choose Model #OUC 3224, please refer to step 15.

15. Gently put the 32in worktop (CC) on the cabinet. Push the countertop forward until the screw hole on the countertop (CC) is aligned with the hole on the cabinet (H). Then lock the screw (T).



Adjust the supporting leg level if necessary.

Weight capacity



! WARNING!

Do not over loaded when using.
Place heaviest items in the lowest board.

Care and Cleaning

CABINET

To maintain the surface of your cabinet, follow these tips.

Do

- Remove dust and dry dirt with a soft, damp cloth.
- Clean grease, oil, paint and ink stains with isopropyl (rubbing alcohol). Immediately rinse with water after stain removal.
- Wash regularly with clean fresh water, mild detergent and a micro fiber cloth.
- Allow cabinets to completely dry before covering with supplied rain cover.

Do not

- Do not allow your cabinet surface to come into contact with products such as acetone (nail polish remover), nail polish, dry cleaning solution, lacquer thinners, gasoline, pine oil, etc.
- Use caution when using sharp instruments that may fall and scratch the surface.
- Do not use abrasive cleaners or a scouring pad.
- Do not use chloride containing cleansers.
- Do not Extreme Heat by Flame
- Do not permit citrus or tomato juice to remain on stainless steel surfaces.
- Do not use abrasive cleaners, steel wool pads, or abrasive cloths as they will scratch the finish.

Maintenance

FAUCET

Problem	Possible Cause	Solution
There are leaks underneath the handle.	The screw nut has come loose and the o-ring on the cartridge is dirty or damaged.	<input type="checkbox"/> Tighten the screw nut. Clean or replace the cartridge or o-ring.
The aerator leaks or has an inconsistent water flow pattern.	The aerator is dirty or misfitted. The cartridge may be clogged.	<input type="checkbox"/> Remove the aerator and check for debris in the aerator screens. <input type="checkbox"/> Remove the cartridge and check for debris. <input type="checkbox"/> Ensure the aerator is properly installed.
There are leaks from the hose underneath the deck.	The supply hose and outlet hose connection may be loose.	<input type="checkbox"/> Tighten the connection of the hoses.
The water pressure is low.	The connector underneath the deck is clogged with debris. The aerator is clogged.	<input type="checkbox"/> Turn off the water supply and disconnect the connector / aerator. <input type="checkbox"/> Unscrew the connector / aerator and clean under running water. <input type="checkbox"/> Screw the connector / aerator back. <input type="checkbox"/> Test water flow. If water pressure is still low then replace the connector / aerator.
There is no hot or cold water.	The water supply hose was accidentally kinked during installation and is limiting the water flow through.	<input type="checkbox"/> Reinstall the water supply hose.

SINK

Your sink is manufactured with the highest grade stainless steel and will provide you many years of enjoyment with the proper care.

Do
<ul style="list-style-type: none"> - After use, always rinse your sink with tap water to dilute and remove deposits. - Towel dry after use whenever possible to prevent water spots. Should water spots occur, clean with a mild solution of vinegar and water followed by a thorough rinse. - Use liquid soap, a general household cleaner, or a weak solution of vinegar and water for regular cleaning. - Only use plastic scouring pads recommended for use in stainless steel sinks, and only use them in the bowl of the sink. Scrub in the direction of the satin finish lines.

Do not
<ul style="list-style-type: none"> - Do not allow any food, detergent, soap or grease to dry or sit for extended periods of time on the surface of the sink. - Never use abrasive cleaning products, as they will dull and scratch the finish. - Do not use scouring pads on the deck, as they will dull the mirror finish. - Never use steel wool pads, as they will leave iron particles on the sink, which will cause corrosion. - Never leave steel or cast iron pans in your sink for extended periods of time, as this can cause corrosion.