

59" x 29-1/2" LIBERTY Freestanding Bathtub SMAFTL5930

Features

- 59" X 29-1/2" x 22-7/8" freestanding bathtub.
- Acrylic material.
- Center drain location.
- Pop-up white finish bottom drain with drain tube included.
- Built-in overflow.
- 10 Year Limited Residential Warranty / 3 Year Commercial Warranty.

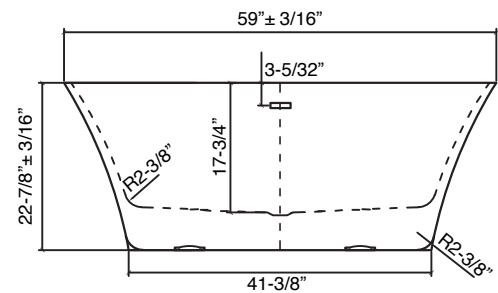
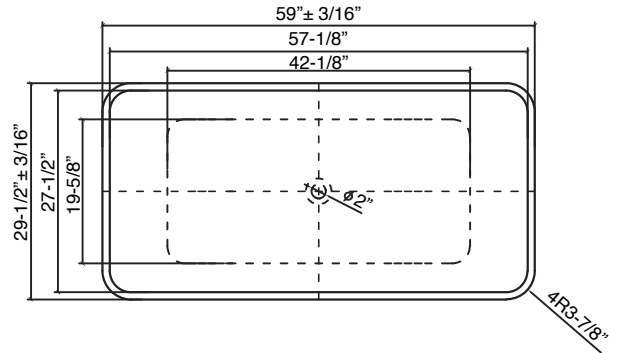
Options:

TD10- Bathtub drain with overflow in decorative finishes.
See back for information.



Specified Model

Model	SMAFTL5930
Dimensions	59" x 29-1/2" x 22-7/8"
Drain Outlet	Center
Water Capacity	67.2 Gallons
Item Weight	87.30 lbs.
Shipping Weight	97.00 lbs.
Material	Acrylic
Installation	Freestanding, Floor-Mounted
Required	Floor, or wall-mounted faucet




To Be Specified: Color/Finishes


Tub Color/Finish

M31 White-Matte

M3109 Black/White-Matte



M31
White-Matte



M3109
Black/White-Matte



Meets or Exceeds the Following Specifications

CSA B45.5/IAPMO Z124

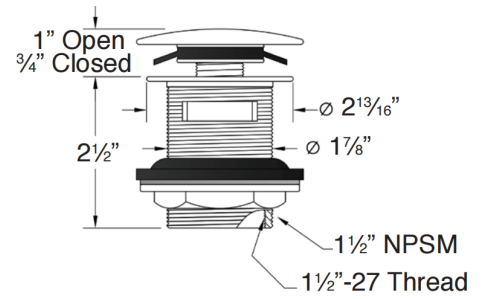
59" x 29-1/2" LIBERTY Freestanding Bathtub SMAFTL5930

OPTIONAL

TD10 bathtub drain in decorative finishes

TD10 EZ-Click Bathtub Drain with Overflow.
Drain tube not included.

Finishes: PC Polished Chrome, BN Brushed Nickel, PN Polished Nickel, ORB Oil Rubbed Bronze, VB Venetian Bronze, MB Matte Black, WH White



To Be Specified:

	FINISH
<input type="checkbox"/>	PC Polished Chrome
<input type="checkbox"/>	BN Brushed Nickel
<input type="checkbox"/>	PN Polished Nickel
<input type="checkbox"/>	VB Venetian Bronze
<input type="checkbox"/>	ORB Oil Rubbed Bronze
<input type="checkbox"/>	MB Matte Black
<input type="checkbox"/>	WH White

