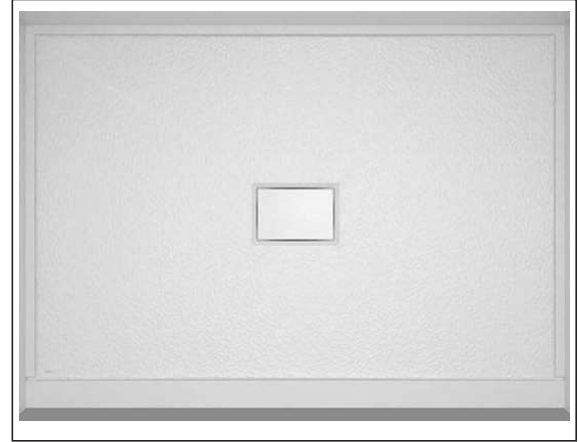


FEATURES

- Single threshold for alcove installation.
- Transtone® is made from a composite material composed of resin, fiberglass, and stone filler. Compression molded for precision radius and angles. Strong, lightweight, slip resistant and scratch resistant.
- Designed to replace existing bathtub drain locations. Base uses same footprint and drain location. Beautiful, easy to clean and ultra-safe stone-look slip resistant texture provides comfortable, safe footing.
- Ultra low 2.6" threshold front curb for easy access.
- Ultra wide 3.5" threshold width to hold modern barn door shower doors
- Super strong base with ribbed construction. Up to 21% heavier than competitive bases.
- Lift-off drain cover allows for easy cleaning and conceals a conventional shower drain. Eliminates need for decorative drain covers to match faucetry.
- 10 Year Limited Residential Warranty / 3 Year Commercial Warranty



Ribbed Structure for superior strength. Up to 21% heavier than competitive bases



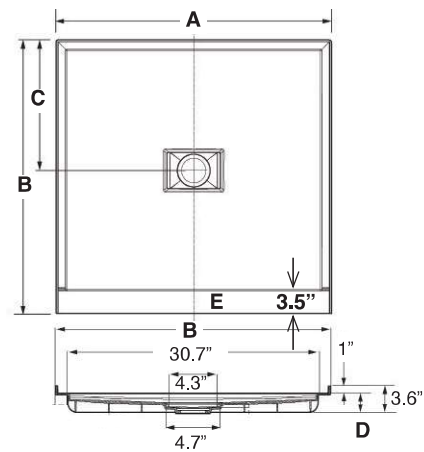
Modern Slip Resistance with a stone look texture. Easy to clean as well as slip resistant.

Specified Model

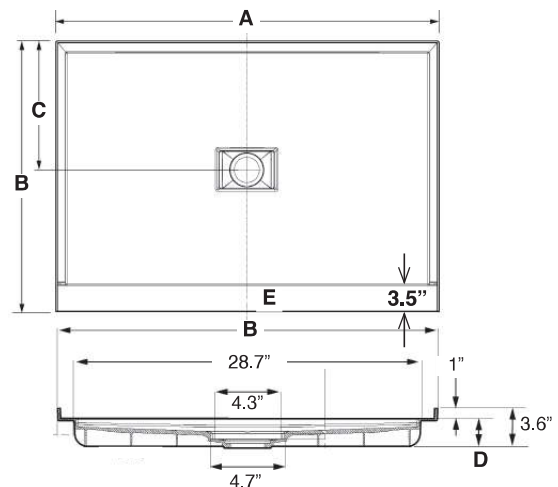
FLU Ultra Low Shower Bases							
	Model	A	B	C	D	E	Wt.
<input type="checkbox"/>	SMFLU3636C	36"	36"	18"	2.6"	3.5"	56
<input type="checkbox"/>	SMFLU4834C	48"	34"	24"	2.6"	3.5"	62

Model	A	B	C	D	E
SMFLU3636C	36"	36"	18"	2.6"	3.5"
SMFLU4834C	48"	34"	17"	2.6"	3.5"

Model: SMFLU3636C



Model: SMFLU4834C

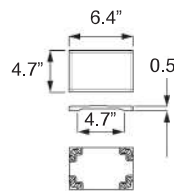


To Be Specified: Color

<input type="checkbox"/>	31 White			
<input type="checkbox"/>	32 Cameo			
<input type="checkbox"/>	39 Grey			

White 31 Cameo 32 Grey 39

Drain Cover Detail



Compliance Certifications - Meets or Exceeds the Following Specifications

- IGC 154-2012
- ASME A112.18.1 / CSA B125.125.1-11
- IAPMO
- cUPC®