

FEATURES

- Solid material all the way through which is cast as a single piece.
- Aluminum Hydroxide (Bauxite) combined with pure acrylic polyester resin creates a homogenous material that is super dense and consistent throughout the base. This results in a product that is easy to repair, soft to the touch, contains gentle matte surfaces that will not support bacteria growth.
- Low 2-³/₄" curb height for a sleek, modern look.
- A wide 3-1/2" threshold depth to hold the modern barn door style shower doors. Also includes an integral 1" high tiling flange for a waterproof installation.
- Finely textured slip resistant surface
- Heavy Duty type 304 stainless steel covered drain cover, conceals a standard shower drain.
- 10 Year Limited Residential Warranty / 3 Year Commercial Warranty



RH drain shown

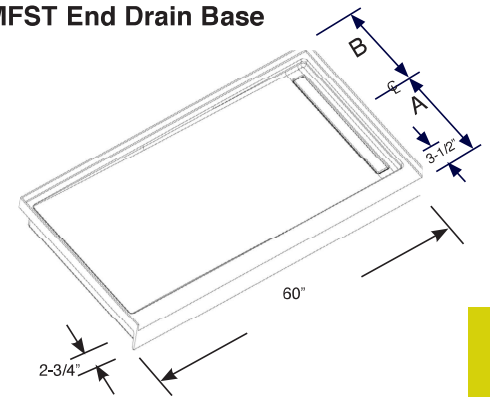
Heavy Duty Stainless Steel Drain Cover



Specify Model

	SIZE	Drain Location		Length	Width	HT.	A	B
		Left	Right					
<input type="checkbox"/>	48" x 34" x 2-3/4"	SMFST4834L	SMFST4834R	48"	34"	2-3/4"	18"	16"
<input type="checkbox"/>	60" x 32" x 2-3/4"	SMFST6032L	SMFST6032R	60"	32"	2-3/4"	17"	15"
<input type="checkbox"/>	60" x 36" x 2-3/4"	SMFST6036L	SMFST6036R	60"	36"	2-3/4"	19"	17"

SMFST End Drain Base



To Be Specified: Color

<input type="checkbox"/>	01 White			
<input type="checkbox"/>	87 Concrete	White 01	Concrete 87	Cameo 02
<input type="checkbox"/>	02 Cameo			

Compliance Certifications - Meets or Exceeds the Following Specifications

- IGC 154-2012
- ASME A112.18.1 / CSA B125.125.1-11
- IAPMO
- cUPC® 