

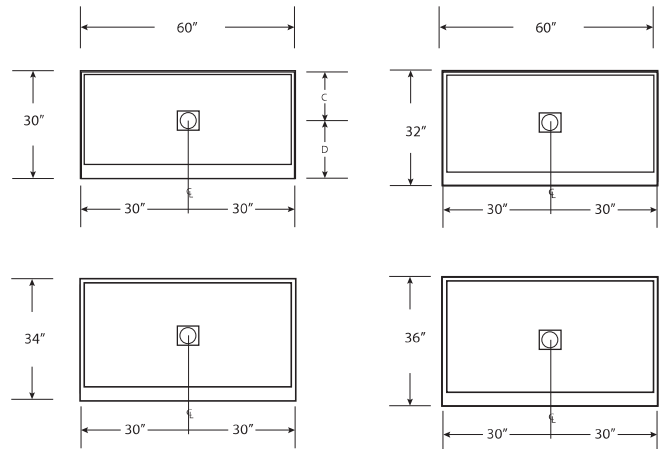
FEATURES

- Single threshold for alcove installation.
- Low profile design installs under tile.
- Select from center drain or end drain location. For end drain location must order either LH or RH drain.
- Light weight SMC sheet molding compound material.
- Installation for new and existing construction.
- Integral 1" high tiling flange for a waterproof installation.
- Easy installation. Level with thinset mortar mix.
- Self supporting.
- Linear Drains can be used in this base.
- Includes shower drain with white plastic cover.
- 10 Year Limited Residential Warranty / 3 Year Commercial Warranty

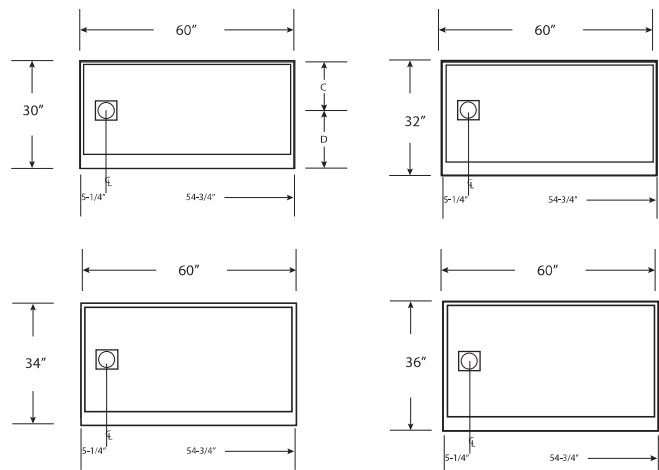


	Model	A	B	C	D	Wt.
<input type="checkbox"/>	SMFTT4940C	49"	40 $\frac{1}{2}$ "	18 $\frac{1}{2}$ "	21 $\frac{3}{4}$ "	22.5
<input type="checkbox"/>	SMFTT6030C	60"	29 $\frac{3}{4}$ "	13 $\frac{1}{4}$ "	16 $\frac{1}{2}$ "	25.8
<input type="checkbox"/>	SMFTT6032C	60"	31 $\frac{3}{4}$ "	14 $\frac{1}{4}$ "	17 $\frac{1}{2}$ "	32.4
<input type="checkbox"/>	SMFTT6034C	60"	33 $\frac{3}{4}$ "	15 $\frac{1}{4}$ "	18 $\frac{1}{2}$ "	36.3
<input type="checkbox"/>	SMFTT6036C	60"	35 $\frac{3}{4}$ "	16 $\frac{1}{4}$ "	19 $\frac{1}{2}$ "	32.6
<input type="checkbox"/>	SMFTT6030R/L	60"	29 $\frac{3}{4}$ "	13 $\frac{1}{4}$ "	16 $\frac{1}{2}$ "	25.8
<input type="checkbox"/>	SMFTT6032R/L	60"	31 $\frac{3}{4}$ "	14 $\frac{1}{4}$ "	17 $\frac{1}{2}$ "	32.4
<input type="checkbox"/>	SMFTT6034R/L	60"	33 $\frac{3}{4}$ "	15 $\frac{1}{4}$ "	18 $\frac{1}{2}$ "	36.3
<input type="checkbox"/>	SMFTT6036R/L	60"	35 $\frac{3}{4}$ "	16 $\frac{1}{4}$ "	19 $\frac{1}{2}$ "	32.6

SMFTT Center Drain Models



SMFTT End Drain Models



Compliance Certifications - Meets or Exceeds the Following Specifications

- IGC 154-2012
- ASME A112.18.1 / CSA B125.125.1-11
- IAPMO
- cUPC®

SHOWER BASES