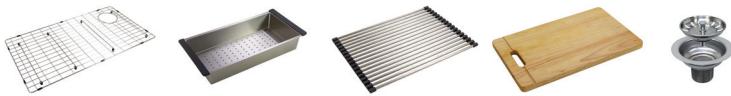


Features

- 32" (813) x 19" (483) x 10" (254) under mount kitchen sink
- Super single compartment that is the size of a double bowl sink
- Bowl handcrafted from premium 18 gauge 304 stainless steel. Channel grooves in sink bottom direct water to drain.
- Right rear drain location
- Premium brushed finish
- 3/8" (10mm) radius corners
- 5mm sound deadening pads
- Fits 36" (914mm) minimum base cabinet width
- Kit includes sink, stainless steel sink bottom grid, stainless steel colander, stainless steel roller mat, wood cutting board and stainless steel standard sink strainer (see below)

Components Included

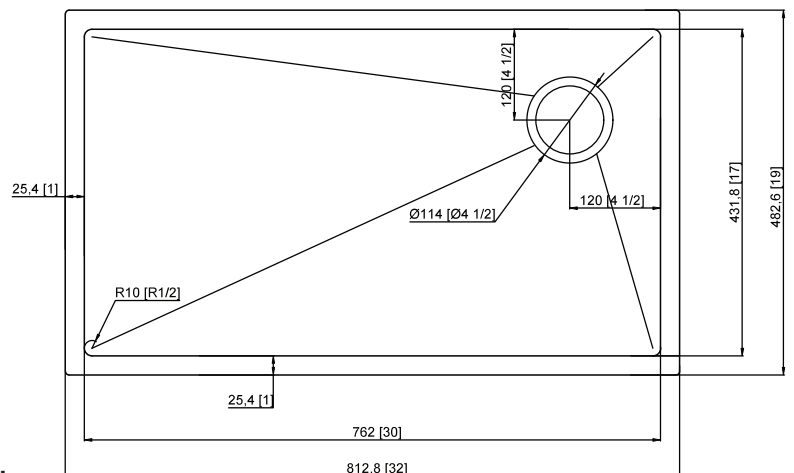
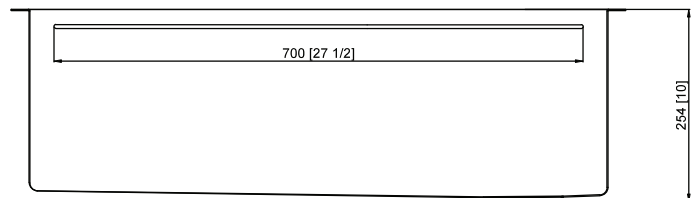


Warranty

- Lifetime Limited Residential Warranty/
1 Year Limited Commercial Warranty

Specified Model

| Model | SMKWSSU321910 |
|-----------------------|--|
| Overall Dimensions | L32" x W19" x D10" L813 x W483 x D254 |
| Bowl Dimensions | L30" x W17" x D10" L762 x W432 x D254 |
| Drain Holes | 3 5/8" (92mm) |
| Shipping Weight | 40 lbs. |
| Material | 18 GA./304 stainless steel |
| Installation Required | Under counter mounted template included |



Codes/Standards

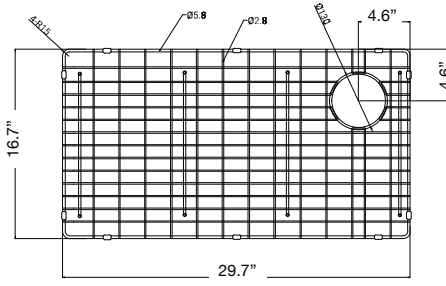
ASME A112.19.3/CSA B45.4

Notes

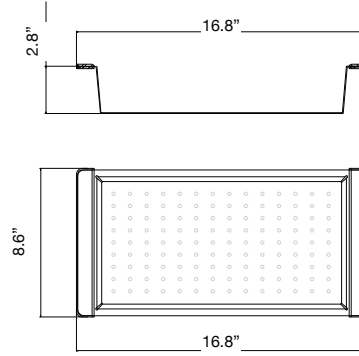
Install this product according to the installation instructions.

Optional Accessories

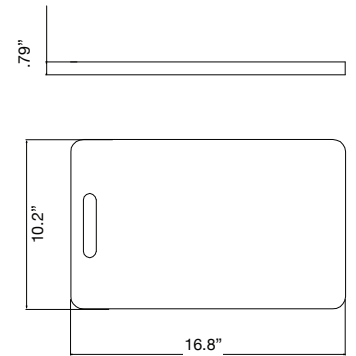
Bottom Sink Grid



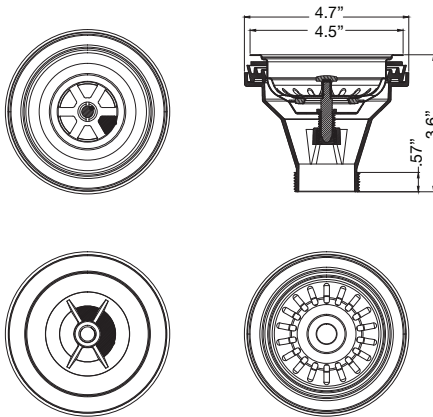
Colander



Cutting Board



Std. Sink Strainer



Roller Mat

