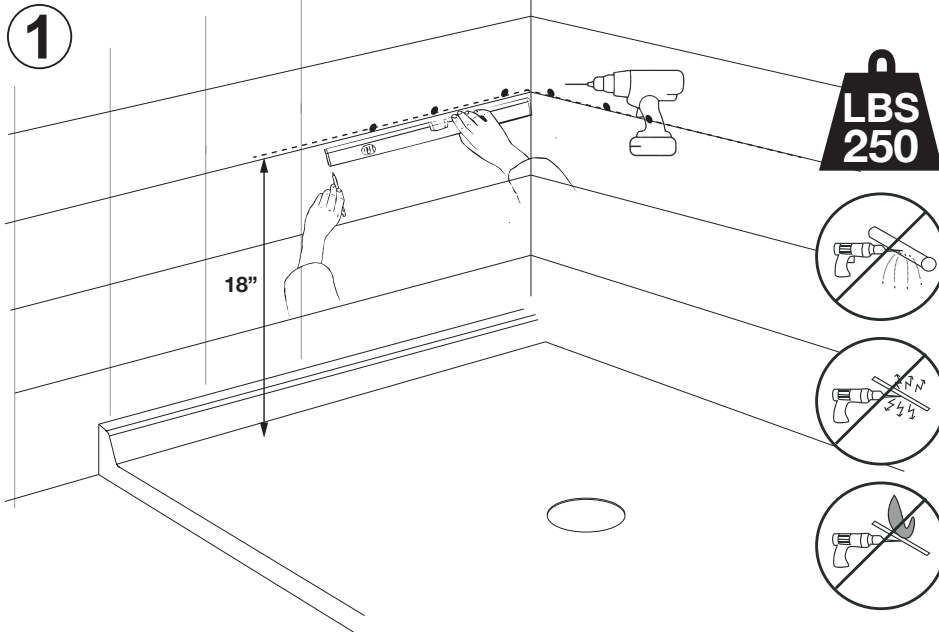
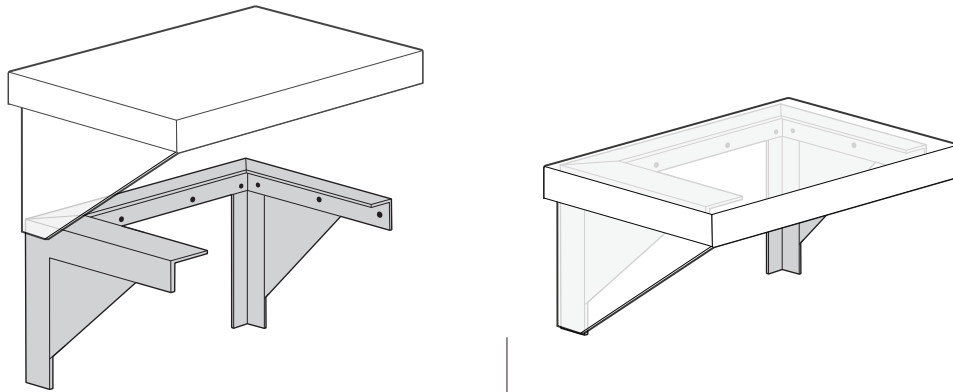
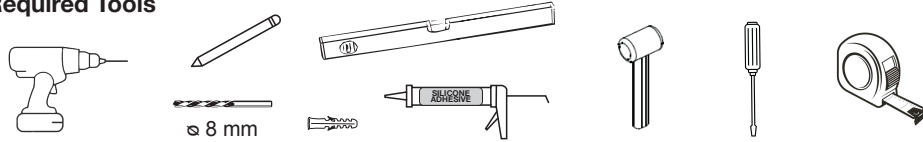
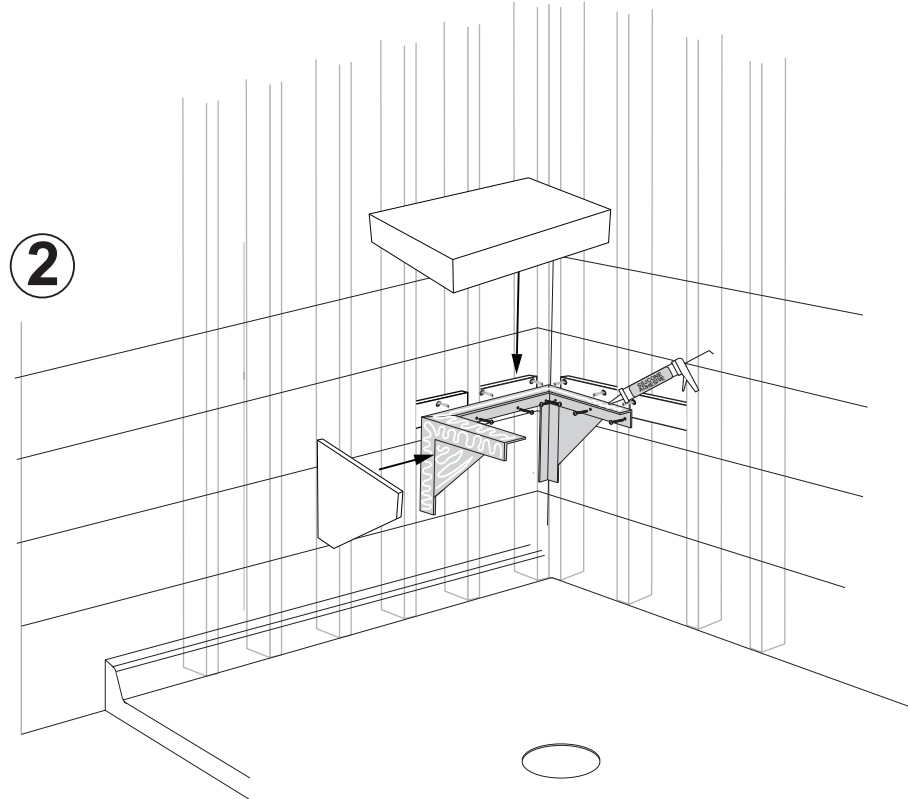


Required Tools



2



INSTALLATION

1. Wood Blocking behind the substrate (wall board) is required for a successful installation. All screws should attach securely to solid wood blocking. Mount wood blocking (2x4) a minimum of 16" out from the corner between the studs each direction. The top of the blocking should be mounted at 19" from the floor of the room.
2. Install shower base and wall panels per shower surround instructions.
3. On the finished shower surround make a mark at 14.5" above the shower base curb. – assuming a Transolid curb height of 3". (marking at 14.5" will give you a finished seat height of 17" from the shower base floor.)
4. Draw a level line 14" out from the corner of the shower in both directions.
5. Place the seat bracket in the corner and line up the holes in the bracket with line drawn. Mark hole locations. (Note: There should be about a 5/8" to 3/4" gap between the back wall and bracket so the seat top fits properly.)
6. Drill 1/8" holes at the marks on the wall. In the same locations, enlarge the holes by drilling 1/4" holes enough to penetrate the solid surface material, so that the screws do not thread into the solid surface).
7. Place bracket on the wall, aligning the holes with the bracket, and secure to wall with provided screws.
8. Apply silicone to the bracket and to the edge of the seat that will touch the finished wall.
9. Place the seat firmly on the bracket, squeezing out the excess silicone.
10. Apply silicone to all joints to finish. Silicone clean up can easily be done with denatured alcohol and a clean rag before the silicone is cured.

For video instructions, please click on this link. **Rectangular Shower Seat Installation Video**