

# 60" x 32" UNABELLA Alcove Bathtub SMUATLN603215-L/R

## Features

- 60" X 32" x 15" alcove bathtub.
- Acrylic material
- Left-hand or right-hand drain location. (Must specify LH or RH when ordering.)
- Standard bathtub: through-the-floor-drain installation.
- Drain not included.
- Built-in linear overflow
- Bathtubs available in a bulk pack of 15 (SMUATLN60321515-L/R).
- 10 Year Limited Residential Warranty / 3 Year Commercial Warranty

## Options:

- **SMTDL - Linear bathtub drain with linear overflow in decorative finishes. See back for information.**

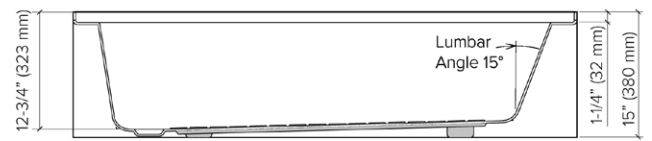
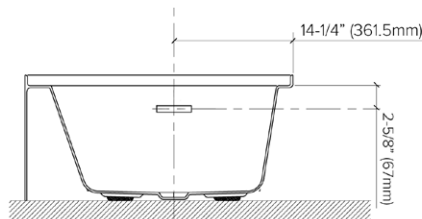
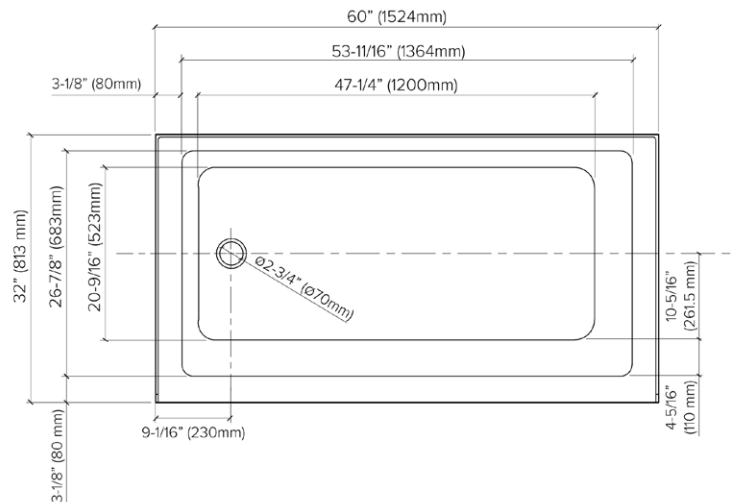
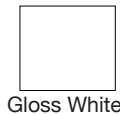
## Specified Model

MODEL	SMUATLN603215-L/R
Dimensions	60" x 32" x 15"
Drain Outlet	Left-Hand or Right-Hand
Water Capacity	60.5 gallons
Item Weight	79.99 lbs.
Shipping Weight	80.86 lbs.
Material	Acrylic
Installation	Alcove
Required	Wall mount faucet



## To Be Specified:

<input type="checkbox"/>	<b>COLOR</b>
<input type="checkbox"/>	White
<input type="checkbox"/>	<b>FINISH</b>
<input type="checkbox"/>	Gloss



Meets or Exceeds the Following Specifications

CSA B45.5/IAPMO Z124

**OPTIONAL**

**SMTDL bathtub drain in decorative finishes**

**SPECIFICATIONS**

SMTDL Linear Bathtub Drain with Overflow.  
Drain is available in PVC or Copper material.  
Also available in 5 packs.

**Finishes:** PC Polished Chrome and BN Brushed Nickel for both PVC and Copper drains. CB Champagne Bronze and MB Matte Black only for PVC drains.

**To Be Specified:**

FINISH	
<input type="checkbox"/>	PC Polished Chrome
<input type="checkbox"/>	BN Brushed Nickel
<input type="checkbox"/>	CB Champagne Bronze
<input type="checkbox"/>	MB Matte Black

