

# 60" x 32" UNABELLA AFR Alcove Bathtub SMUATLN603217-L/R

## Features

- 60" X 32" x 16-15/16" alcove bathtub.
- Acrylic material
- Left-hand or right-hand drain location. (Must specify LH or RH when ordering.)
- Above Floor Rough (AFR) bathtub: above-the-floor drain installation.
- Drain not included.
- Built-in linear overflow
- Bathtubs available in a bulk pack of 15 (SMUATLN60321715-L/R)
- 10 Year Limited Residential Warranty / 3 Year Commercial Warranty

## Options:

- **SMTDL - Linear bathtub drain with linear overflow in decorative finishes. See back for information.**

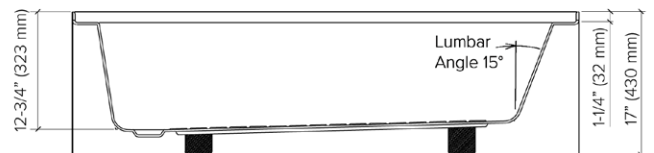
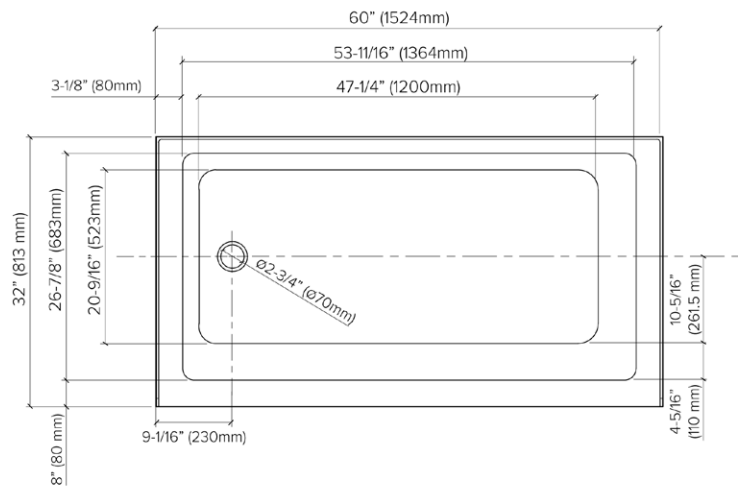
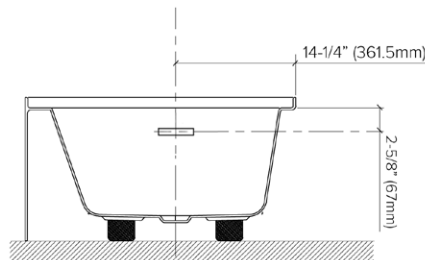
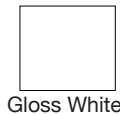
## Specified Model

MODEL	SMUATLN603217-L/R
Dimensions	60" x 32" x 16-15/16"
Drain Outlet	Left-Hand or Right-Hand
Water Capacity	60.5 gallons
Item Weight	79.99 lbs.
Shipping Weight	80.86 lbs.
Material	Acrylic
Installation	Alcove
Required	Wall mount faucet



## To Be Specified:

COLOR
<input type="checkbox"/> White
FINISH
<input type="checkbox"/> Gloss



Meets or Exceeds the Following Specifications  
CSA B45.5/IAPMO Z124

## OPTIONAL

SMTDL bathtub drain in decorative finishes

## SPECIFICATIONS

SMTDL Linear Bathtub Drain with Overflow.  
Drain is available in PVC or Copper material.  
Also available in 5 packs.

**Finishes:** PC Polished Chrome and BN Brushed Nickel for both PVC and Copper drains. CB Champagne Bronze and MB Matte Black only for PVC drains.

## To Be Specified:

FINISH
<input type="checkbox"/> PC Polished Chrome
<input type="checkbox"/> BN Brushed Nickel
<input type="checkbox"/> CB Champagne Bronze
<input type="checkbox"/> MB Matte Black

