

# 60" x 32" UNABELLA Alcove Bathtub SMUATLN603220-L/R

## Features

- 60" X 32" x 20-1/4" alcove bathtub.
- Acrylic material
- Left-hand or right-hand drain location. (Must specify LH or RH when ordering).
- Standard bathtub: through-the-floor drain installation.
- Drain not included.
- Built-in linear overflow
- Bathtubs available in a bulk pack of 15 (SMUATLN60322015-L/R).
- 10 Year Limited Residential Warranty / 3 Year Commercial Warranty

## Options:

- **SMTDL - Linear bathtub drain with linear overflow in decorative finishes. See back for information.**

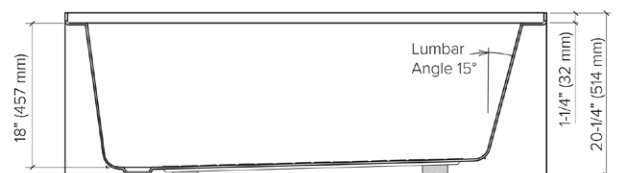
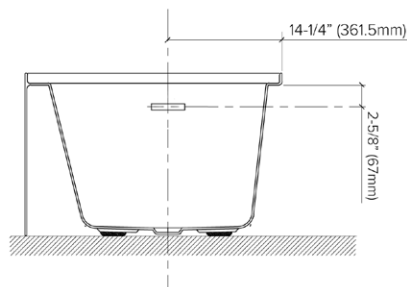
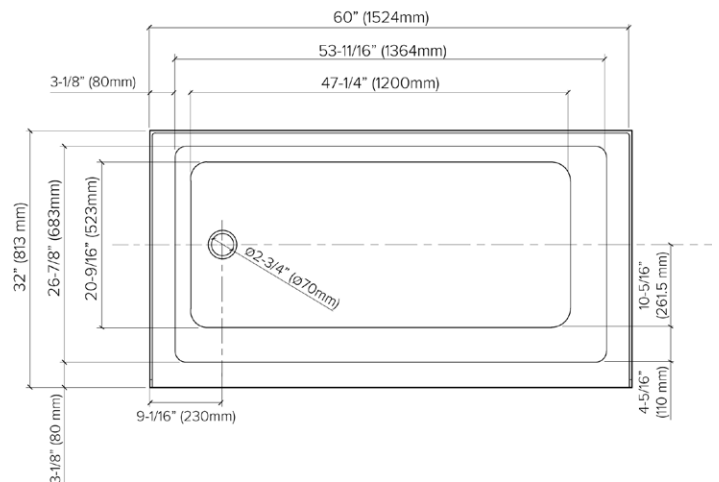
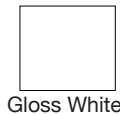
## Specified Model

MODEL	SMUATLN603220-L/R
Dimensions	60" x 32" x 20-1/4"
Drain Outlet	Left-Hand or Right-Hand
Water Capacity	74 gallons
Item Weight	86.87 lbs.
Shipping Weight	87.74 lbs.
Material	Acrylic
Installation	Alcove
Required	Wall mount faucet



## To Be Specified:

COLOR
<input type="checkbox"/> White
FINISH
<input type="checkbox"/> Gloss



Meets or Exceeds the Following Specifications  
CSA B45.5/IAPMO Z124

**OPTIONAL**

SMTDL bathtub drain in decorative finishes

**SPECIFICATIONS**

SMTDL Linear Bathtub Drain with Overflow.  
Drain is available in PVC or Copper material.  
Also available in 5 packs.

**Finishes:** PC Polished Chrome and BN Brushed Nickel for both PVC and Copper drains. CB Champagne Bronze and MB Matte Black only for PVC drains.

**To Be Specified:**

FINISH
<input type="checkbox"/> PC Polished Chrome
<input type="checkbox"/> BN Brushed Nickel
<input type="checkbox"/> CB Champagne Bronze
<input type="checkbox"/> MB Matte Black

