



FEATURES

- Decorative ADA compliant 1" diameter grab bars enhance the look of the shower while providing peace of mind and independent living.
- Silicone grip provides a comfortable non slip grip, textured to ensure your hand doesn't slip off when it gets wet.
- Concealed mounting.
- Includes two flange covers.
- Heavy duty 304 stainless steel.
- Mounting hardware and mounting template included.

FINISH

- Grab Bar: brushed stainless
- Silicone Grip colors: white, grey, black

WARRANTY

- Lifetime Limited Residential / 5 Year Commercial

INSTALLATION REQUIREMENT

- Wood blocking is preferable behind all wall surfaces. Use framing studs for mounting when available. If wood blocking is not available, the following fasteners are suggested: Tile/Masonry-Plastic or lead Anchors Plaster/drywall-Toggle bolts.



To Be Specified:

	MODEL NO.	DESCRIPTION	Length		Dia.	Depth
			A	B		
<input type="checkbox"/>	SMMS_12BS	12" Grab Bar	13 ⁵⁵ / ₆₄ "	11 ¹³ / ₁₆ "	1"	3 ¹ / ₃₂ "
<input type="checkbox"/>	SMMS_16BS	16" Grab Bar	17 ⁵¹ / ₆₄ "	15 ³ / ₄ "	1"	3 ¹ / ₃₂ "
<input type="checkbox"/>	SMMS_18BS	18" Grab Bar	19 ⁴⁹ / ₆₄ "	17 ²³ / ₃₂ "	1"	3 ¹ / ₃₂ "

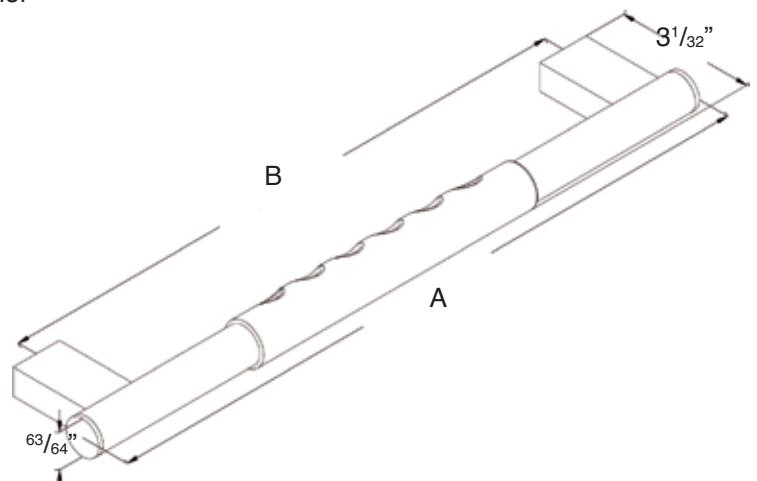
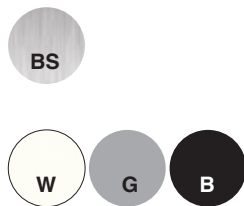
Manhattan Straight White Grip
12" Brushed Stainless MSW12BS

Series	Shape	Grip	Length	Finish
M-Manhattan	Straight	W=White	12"	BS
		G=Grey	16"	BS
		B=Black	18"	BS

TO ORDER add silicone grip color after MS (see example above)

To Be Specified: Grab Bar Finish & Silicone Grip Color

GRAB BAR FINISH	
Code	Color
<input type="checkbox"/> BS	Brushed Stainless
SILICONE GRIP COLOR	
Code	Color
<input type="checkbox"/> W	White
<input type="checkbox"/> G	Grey
<input type="checkbox"/> B	Black



Compliance Certifications - Meets or Exceeds the Following Specifications



Meets the Americans with Disabilities Act guidelines and ANSI A117.1 requirements for accessible and usable building facilities-check local codes when installed per accessibility guidelines of the act.