



Middleton®

Top-mount Kitchen Sink

14633-3

Features

- Top-mount
- Three faucet holes
- 6"-deep double bowls
- 3-5/8" drain opening
- Stainless steel with luster finish
- SilentShield technology
- 20-gauge stainless steel
- Lifetime limited warranty
- ADA-adaptable when installed per the requirements of the Accessibility Guidelines, Section 606 Sinks, of the Act



Recommended Accessories

7400 Sink Strainer

Components

Product includes:

1150001 Installation Clips

ADA

Codes/Standards

ASME A112.19.3/CSA B45.4

ADA

ICC/ANSI A117.1

STERLING® Warranty - Stainless Steel Sinks

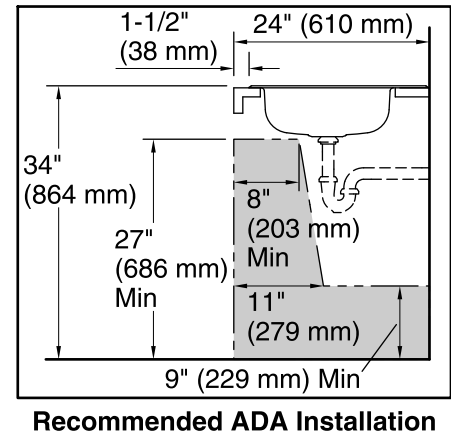
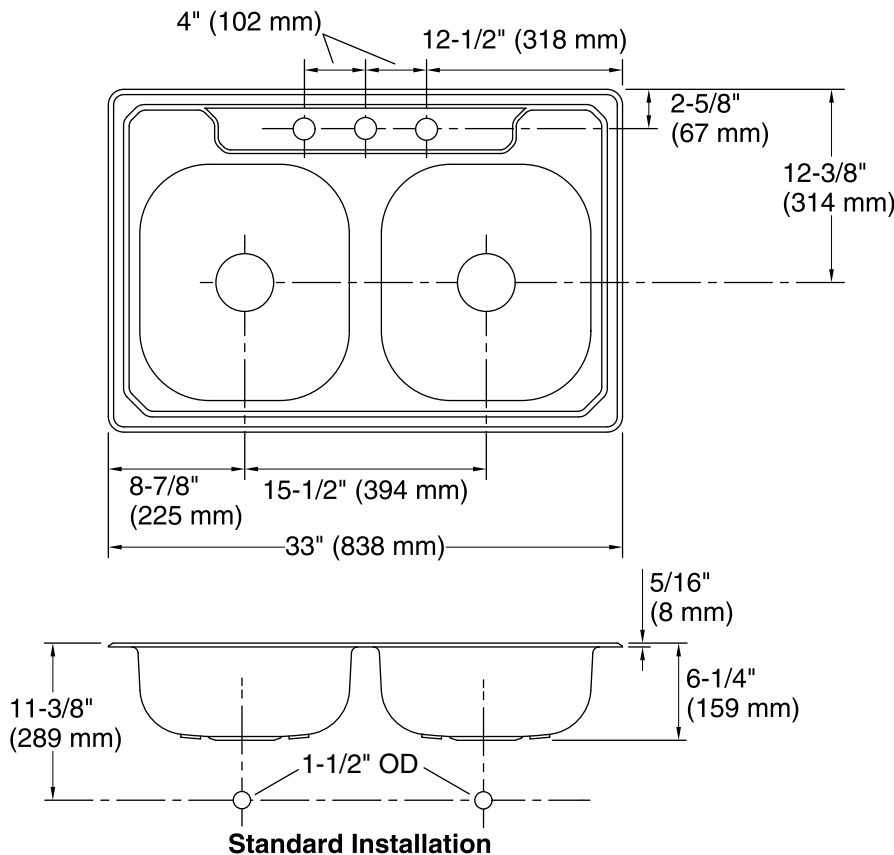
See website for detailed warranty information.

1-800-STERLING (1-800-783-7546)

Kohler Co. reserves the right to make revisions without notice to product specifications.

For the most current Specification Sheet, go to www.sterlingplumbing.com.

12-4-2018 11:09 - US



Technical Information

All product dimensions are nominal.

- Bowl configuration: Double equal
- Installation: Top-mount
- Cutout: Top-mount, 32-1/2" x 21-1/2" (826 mm x 546 mm) with 11/16" (18 mm) radius corners
- Bowl area (Left): Length: 13-3/4" (349 mm)
Width: 15-1/2" (394 mm)
Bowl depth: 6" (152 mm)
Water depth: 6" (152 mm)
- Bowl area (Right): Length: 13-3/4" (349 mm)
Width: 15-1/2" (394 mm)
Bowl depth: 6" (152 mm)
Water depth: 6" (152 mm)
- Number of deck holes: 3
- Faucet hole(s): 1-7/16" (37 mm)
- Drain hole: 3-5/8" (92 mm)

Notes

- Install this product according to the installation instructions.
- Measure your actual product for roughing-in details.
- ADA compliant when installed to the specific requirements of these regulations.