

Maris™ Undercounter Lavatory

FEATURES

- 17-5/8" x 14-9/16" Undercounter lavatory
- Mounting assembly complete with installation template and mounting screw set
- ADA compliant (with overflow to the rear)
- Optional SanaGloss® ceramic glaze - prevents debris and mold from sticking to ceramic surfaces, leading to fewer chemicals and less water in cleaning



MODELS

- LT483G - with SanaGloss (#01, #03, #11, #12)
- LT483 - without SanaGloss (#51)

SanaGloss

COLORS/FINISHES

- #01 Cotton
- #03 Bone
- #11 Colonial White
- #12 Sedona Beige
- #51 Ebony

CODES/STANDARDS

- Meets and exceeds ASME A112.19.2/CSA B45.1
- Certifications: IAPMO(cUPC), State of Massachusetts, City of Los Angeles, and others
- Meets ADA guidelines and ANSI A117.1 requirements when countertop is installed 864mm (34") from finished floor and lavatory is installed 51mm (2") minimum from front edge.



PRODUCT SPECIFICATION

The undercounter lavatory shall be made of vitreous china. Lavatory shall be 17-5/8" in length and 14-9/16" in width. Product shall be with overflow and lavatory shall include mounting assembly. Lavatory shall be TOTO Model LT483_____.

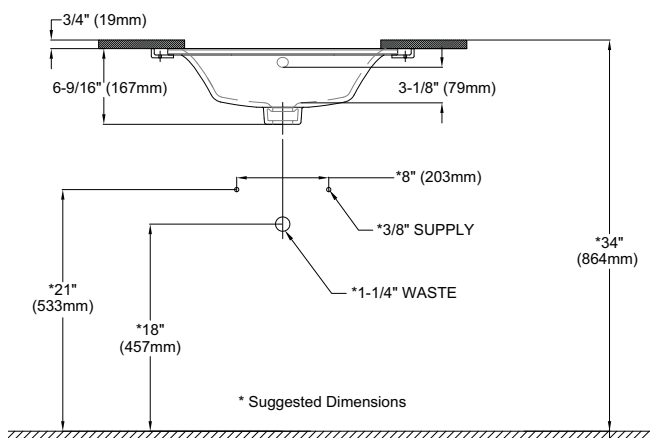
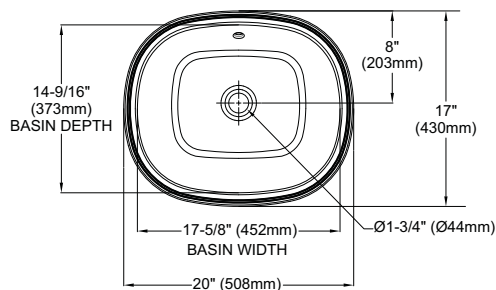
LT483(G)

Maris™ Undercounter Lavatory

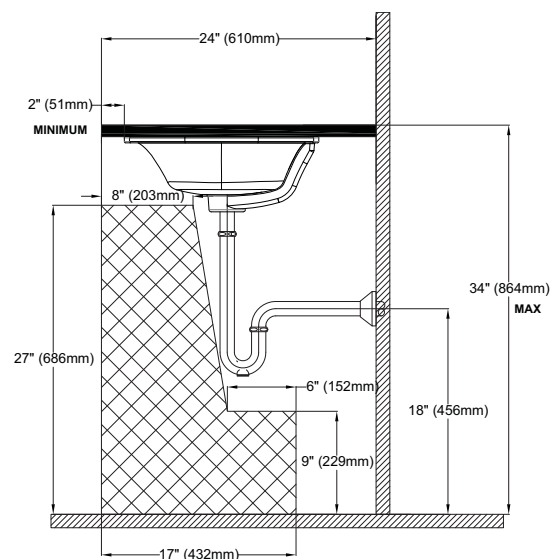
SPECIFICATIONS

- Waste 1-1/4" O.D.
- Size 20"W x 17"D
- Basin 17-5/8"W x 14-9/16"D
- Warranty One Year Limited Warranty
- Material Vitreous china
- Shipping Weight 19.3 lbs.
- Shipping Dimensions 22-1/4"W X 18-3/4"D X 9-3/4"H

INSTALLATION NOTES



ADA Compliance Check
Note: Overflow must be at rear



TOTO®

These dimensions and specifications are subject to change without notice