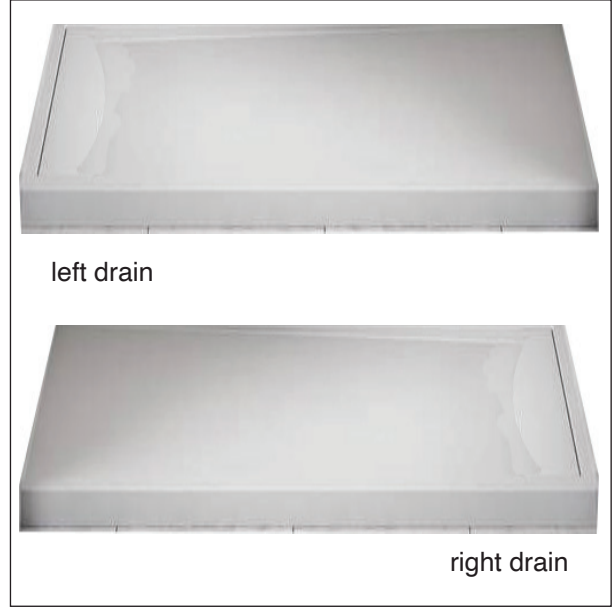


FEATURES

- Solid material all the way through which is cast as a single piece.
- Aluminum Hydroxide (Bauxite) combined with pure acrylic polyester resin creates a homogenous material that is super dense and consistent throughout the base. This results in a product that is easy to repair, soft to the touch, and features gentle matte surfaces that will not support bacteria growth
- Extremely low 2" curb height for a sleek, modern look. Once the underlayment and tile are installed, there is about a 1" effective curb height for easy entry and exits.
- A wide 3-1/2" threshold depth to hold the modern barn door style shower doors. Also includes an integral 1" high tiling flange for a waterproof installation.
- Unique curving drain cover, in the same material as the base, conceals a shower drain and eliminates the need for decorative drain covers to match faucetry. Drain not included.
- 8.5" Drain center location provides a direct replacement for an existing bathtub. Simple installation to convert a bathtub to a 60" shower.
- 10 Year Limited Residential Warranty | 3 Year Commercial Warranty



Attractive curved drain cover



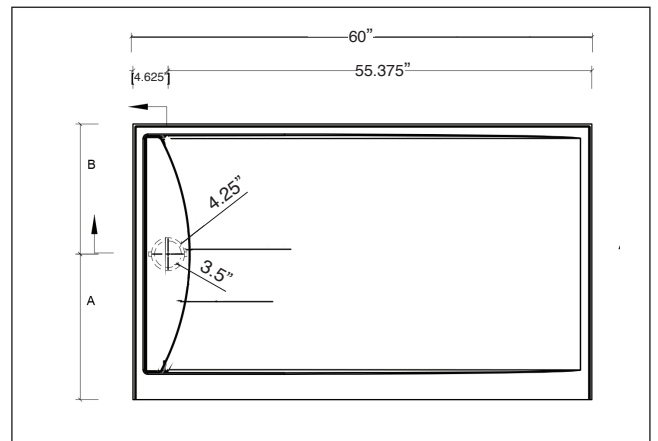
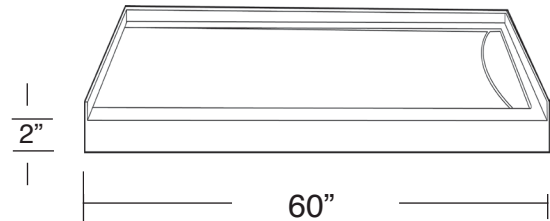
Specified Model

	SIZE	Drain Location		Length	Width	Height	Total Height	A	B
		Left	Right						
<input type="checkbox"/>	60" X 32" X 2"	FL-6032L	FL-6032R	60"	32"	2"	3"	17"	15"

To Be Specified: Color

<input type="checkbox"/>	01 White			
<input type="checkbox"/>	02 Cameo	White 01	Cameo 02	Concrete 87
<input type="checkbox"/>	87 Concrete			

FSL Tub Replacement End Drain Base



Compliance Certifications - Meets or Exceeds the Following Specifications

- IGC 154-2012
- ASME A112.18.1 / CSA B125.125.1-11
- IAPMO
- cUPC®

SHOWER BASES