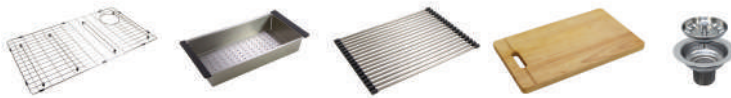


**Features**

- 27" (686) x 22" (559) x 10" (254) drop-in kitchen sink
- Single compartment
- Bowl handcrafted from premium 18 gauge 304 stainless steel and deck from 10 gauge 304 stainless steel. Channel grooves in sink bottom direct water to drain.
- Right rear drain location
- Premium brushed finish
- 3/8" (10mm) radius corners
- 5mm sound deadening pads
- Fits 30" (762mm) minimum base cabinet width
- Kit includes sink, stainless steel sink bottom grid, stainless steel colander, stainless steel roller mat, wood cutting board and stainless steel standard sink strainer (see below)

**Components Included**

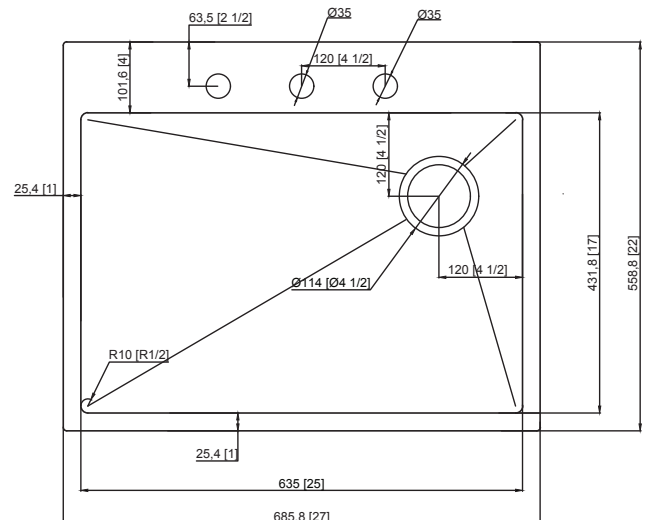
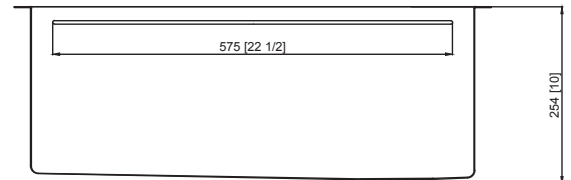


**Warranty**

- Lifetime Limited Residential Warranty/  
1 Year Limited Commercial Warranty

**Specified Model**

<b>Model</b>	<b>KWSST272210</b>
<b>Overall Dimensions</b>	L27" x W22" x D10" L686 x W559 x D254
<b>Bowl Dimensions</b>	L25" x W17" x D10" L635 x W432 x D254
<b>Drain Holes</b>	3 <sup>5</sup> / <sub>8</sub> " (92mm)
<b>Shipping Weight</b>	40 lbs.
<b>Material</b>	18 GA./304 stainless steel – Bowl 10 GA./304 stainless steel – Deck
<b>Installation Required</b>	Counter top mounted template included



**To Be Specified**

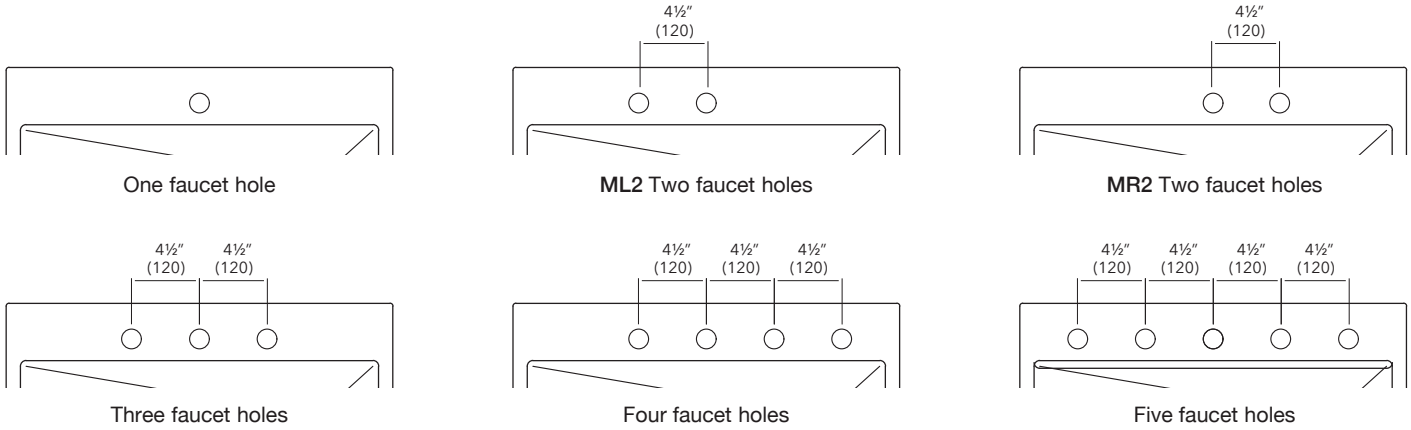
See back for configurations available for this sink

Faucet Hole Drillings	
<input type="checkbox"/>	1 Hole
<input type="checkbox"/>	2 Holes ML2
<input type="checkbox"/>	2 Holes MR2
<input type="checkbox"/>	3 Holes
<input type="checkbox"/>	4 Holes
<input type="checkbox"/>	5 Holes

**Codes/Standards**  
**ASME A112.19.3/CSA B45.4**

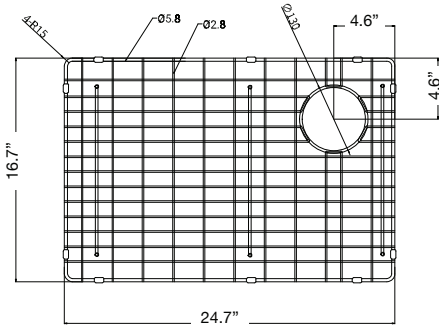
**Notes:**  
**Install this product according to the installation instructions.**

**Faucet Hole Configurations available for this sink model**

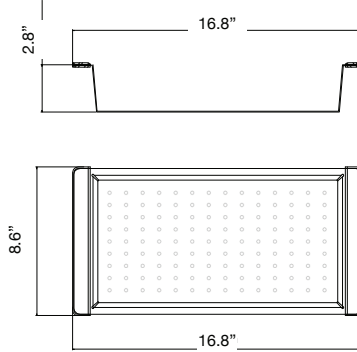


**Optional Accessories**

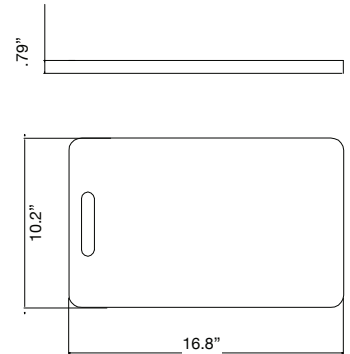
**Bottom Sink Grid**



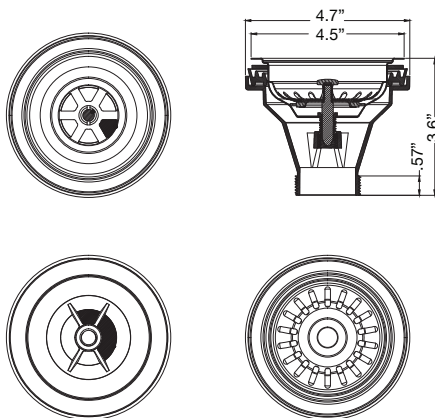
**Colander**



**Cutting Board**



**Std. Sink Strainer**



**Roller Mat**

