

Features

- 27" (686) x 19" (559) x 10" (254) under mount kitchen sink
- Single compartment
- Bowl handcrafted from premium 18 gauge 304 stainless steel. Channel grooves in sink bottom direct water to drain.
- Right rear drain location
- Premium brushed finish
- 3/8" (10mm) radius corners
- 5mm sound deadening pads
- Fits 30" (762mm) minimum base cabinet width
- Kit includes sink, stainless steel sink bottom grid, stainless steel colander, stainless steel roller mat, wood cutting board and stainless steel standard sink strainer (see below)

Components Included



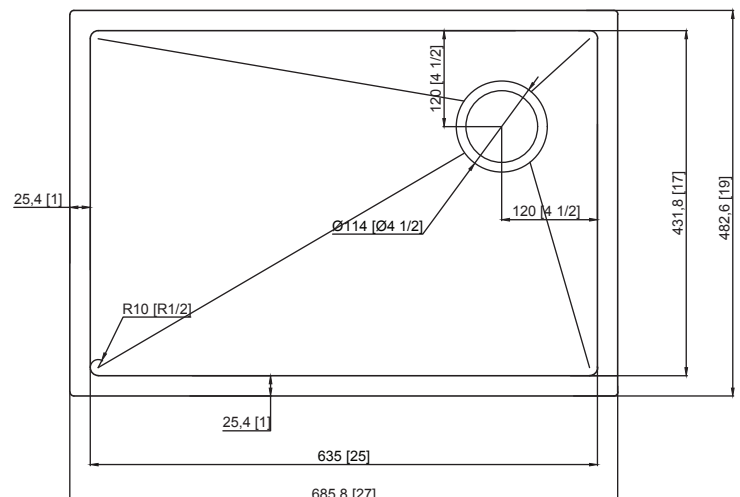
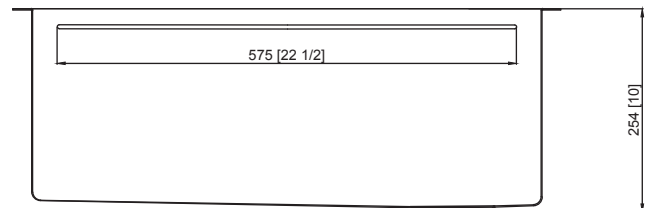
Warranty

- Lifetime Limited Residential Warranty/
1 Year Limited Commercial Warranty



Specified Model

Model	KWSSU271910
Overall Dimensions	L27" x W19" x D10" L686 x W483 x D254
Bowl Dimensions	L25" x W17" x D10" L635 x W432 x D254
Drain Holes	3 5/8" (92mm)
Shipping Weight	40 lbs.
Material	18 GA./304 stainless steel
Installation Required	Under counter mounted template included



Codes/Standards

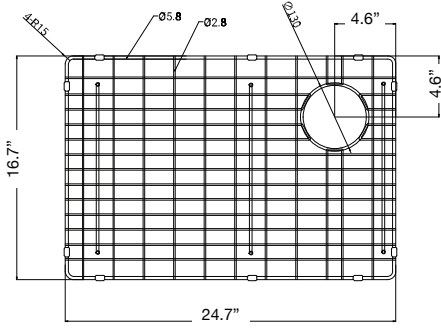
ASME A112.19.3/CSA B45.4

Notes

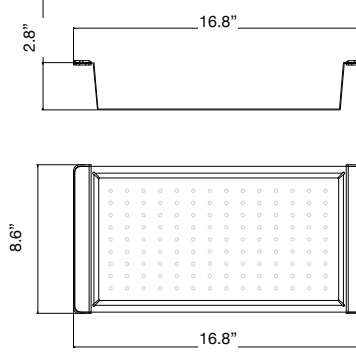
Install this product according to the installation instructions.

Optional Accessories

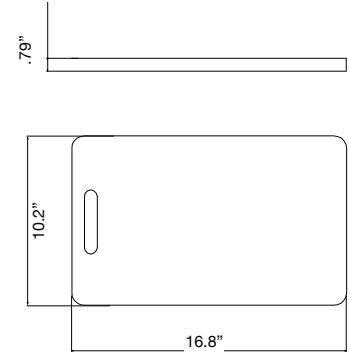
Bottom Sink Grid



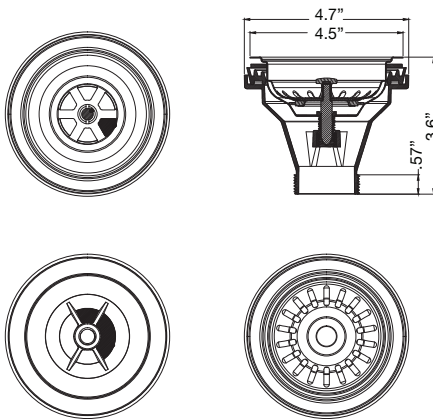
Colander



Cutting Board



Std. Sink Strainer



Roller Mat

