

### FEATURES:

- Micro edge dual mount installation. Sink can be installed under counter mounted or top mounted where the rim of the sink sits on the counter top.
- 25" (635) x 22" (559) x 12" (306) kitchen sink.
- Single compartment.
- Handcrafted from 16 gauge 304 stainless steel. Premium brushed finish.
- Includes a stainless steel faucet, stainless steel rollmate and stainless steel covered flip-top sink strainer.
- 10mm radius corners.
- Fits 30" (762) minimum base cabinet width.
- Easy to clean.

### Components

#### Product includes:

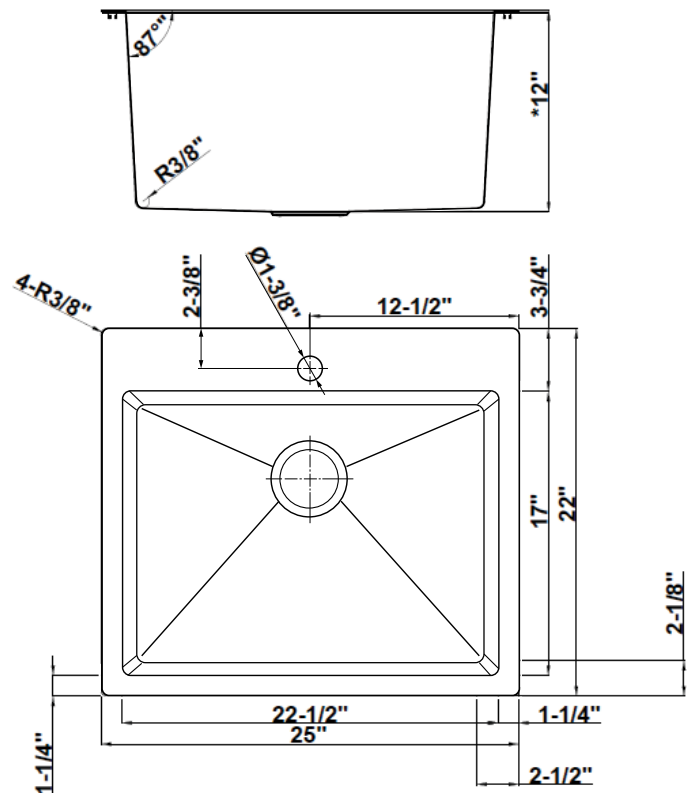
Sink LS-252212-BS  
 Stainless steel flexible faucet  
 Bottom Sink Grid  
 Stainless steel rollmate  
 Stainless steel covered flip-top  
 Cutout Template  
 Installation Hardware  
 Installation Instructions

### Warranty

- Lifetime Limited Warranty

### Specified Model

Model	LSA3-252212-BS
Overall Dimensions	L25" x W22" x D12" 635 x 559 x 306
Bowl Dimensions	L22-1/2" x W17" 572 x 432
Drain hole:	3-1/2" standard outlet hole
Shipping Weight	37 lbs.(17kg)
Material	16 gauge 304 stainless steel
Installation	top or under counter mounted
Required	template, included



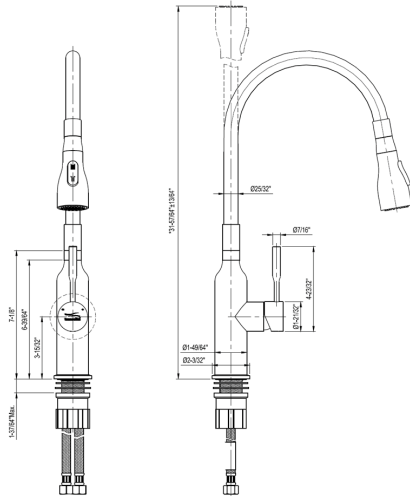
### Notes

Install this product according to the installation instructions.

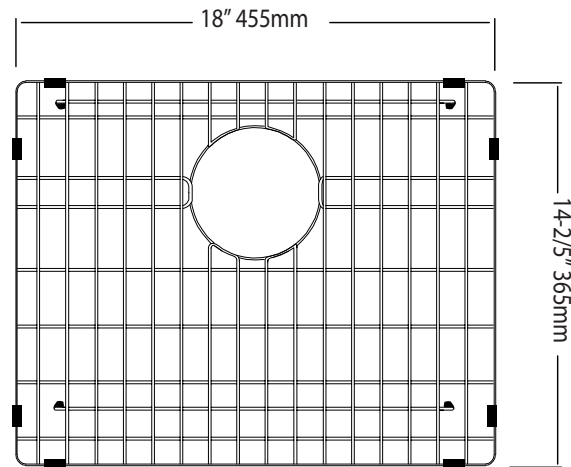
### Component

Product includes:

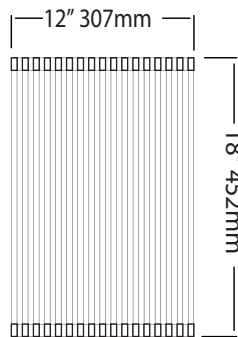
Stainless steel faucet



### Bottom Sink Grid

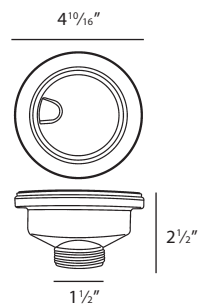


### Stainless steel rollmate



- Size: 12"x18" suit for sink LS-252212-BS
- Dry dishes or food on top of drain board or bowl
- Sit on a ledge around the bowl to extend the the working space
- Protect the sink surface from a hot pan.
- Roll up and can save storage space
- Solid Square rack

### Covered Flip Top Sink Strainer.



Water drains easily when cover is in place. Cover flips up with easy touch. Polypropylene housing. Fits standard 3-1/2" opening.