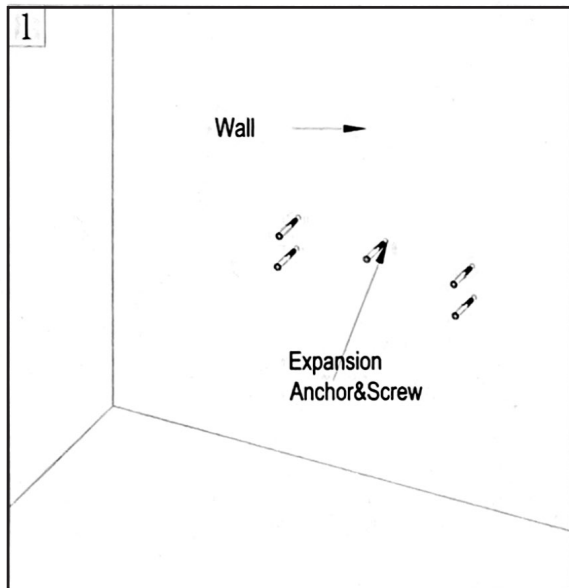


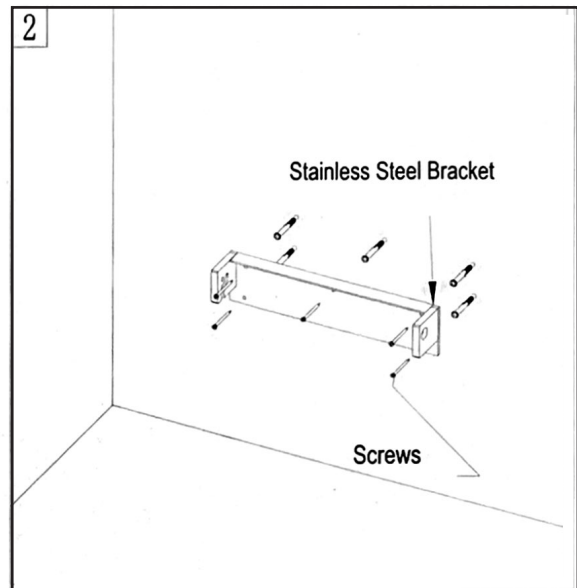
QUICK INSTALLATION TIPS OF SEAT

Before attempting to install any seat, read both the seat instructions and make sure your installation can be conformed with local standards.

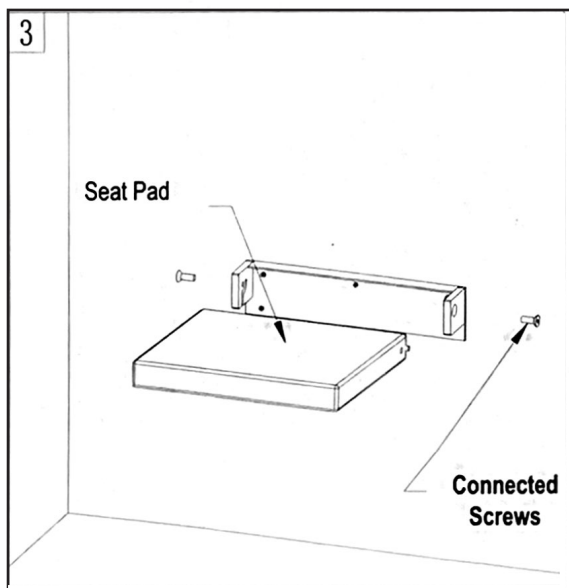
(some installation maybe need professional help)



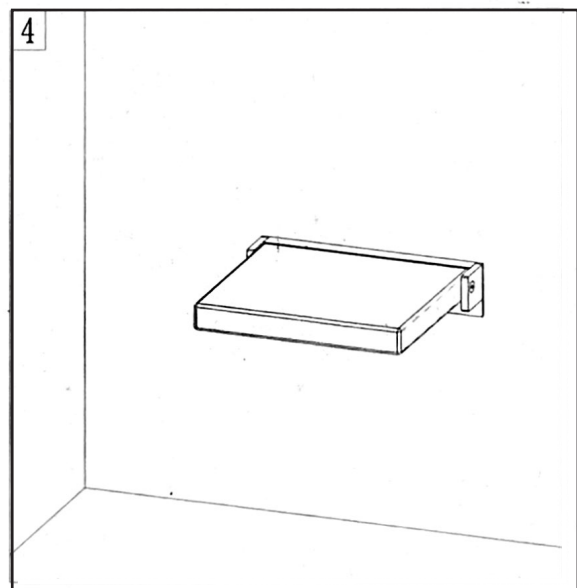
Fix the position of mounting holes on wall depend on the actual dimension of Stainless Steel Brackets(a total of 5holes)



Lock the screws on the wall in turn



Fasten the PU seat pad on the bracket by 2 pcs screws and ensure the seat pad can be moved along guide channel smoothly, then these screws can be locked.



The schematic of seat installation

Maintenance and cleaning:

- Use the gentle soap to clean the seat pad and wipe the surface by soft cloth.
- Avoid using the detergent or antiseptic or other cleanser which is loaded in spray-can.
- Do not use the corrosive cleaning powder.
- Some bathroom chemical or cosmetics will destroy this seat.
- After equipped, pls check the tightness of bolts for seating safety.

Note: Products Pictures are for visual reference only