

**FEATURES**

- 60" x 36" Bathtub Walls with a realistic 4" x 8" subway tile pattern for new or existing construction. Saramar® has the realistic look of tile without the maintenance of grout.
- Thick 1/4" compression molded solid surface material for superior strength, beauty and easy cleaning. Surface will not support bacteria growth.
- Easier to install than tile. Walls glue right over existing surface. Walls are trimmable for custom fit.
- SWK Wall Kit include three wall panels, two color coordinated inside corner trim pieces, wall panel 100% silicone adhesive and interior sealing silicone. Available in 60" panel height.
- Saramar® solid surface material has color all the way through for a renewable surface.
- 10 Year Limited Residential Warranty / 3 Year Commercial Warranty

**COLORS**

- 3 Classic and 3 Marble colors.

**OPTIONS**

- Storage pods, grab bars, storage shelves, flat inside corner molding, and outside corner trims.

**Specified Model**

	SIZE	MODEL NO.	DESCRIPTION	Width	Depth	Height
<b>TUB WALL KITS</b>						
<input type="checkbox"/>	60" x 36" x 60"	SWK603660	Shower Wall Kit	60"	36"	60"



SWK603696 shown with F6036L linear shower base

**To Be Specified: Color**

	Classic Colors
<input type="checkbox"/>	21 White
<input type="checkbox"/>	27 Grey Beach
<input type="checkbox"/>	28 Cashew
	Marble Colors
<input type="checkbox"/>	47 White Venito
<input type="checkbox"/>	48 Biscotti Marble
<input type="checkbox"/>	49 Sand Creme

**Classic Colors**



White  
21



Grey Beach  
27

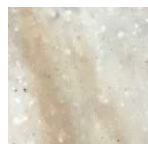


Cashew  
28

**Marble Colors**



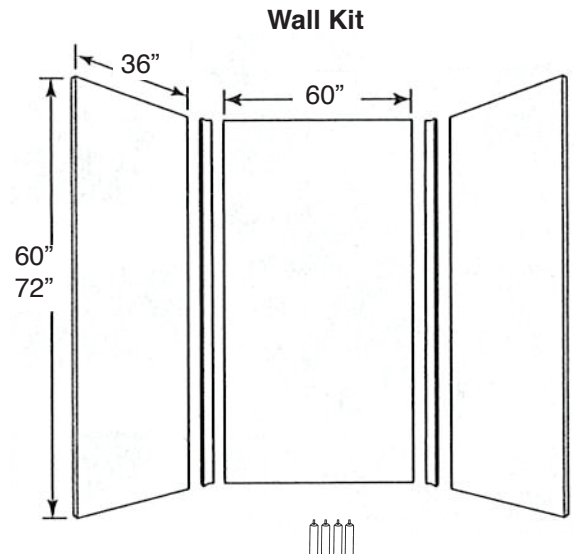
White Venito  
47



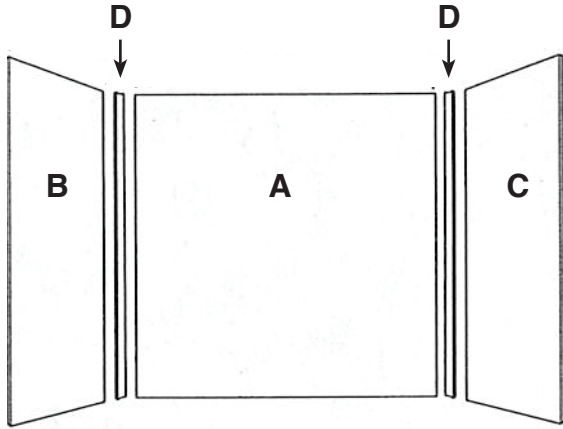
Biscotti Marble  
48



Sand Creme  
49



# 60" x 36" x 60" tub walls SWK603660



	MODEL NO	DESCRIPTION
<b>A</b>	<b>SWK603660</b>	Back Wall (1 panel)
<b>B</b>		Left End Wall (1 panel)
<b>C</b>		Right End Wall (1 panel)
<b>D</b>		Inside Corner Trim (2 pcs.)

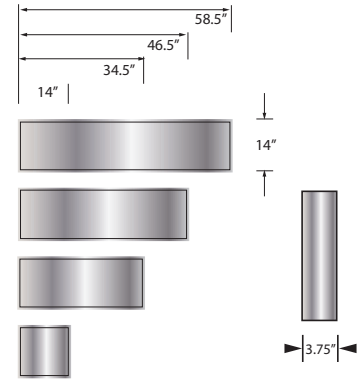
## OPTIONS: STORAGE PODS

Available for on-site installation. Must be ordered separately.



STH5814-SS

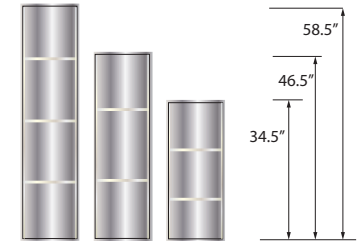
### STH Horizontal Storage Pods



STV25814-SS48

### STV Vertical Storage Pods

Vertical Pods are designed to run between stud walls.

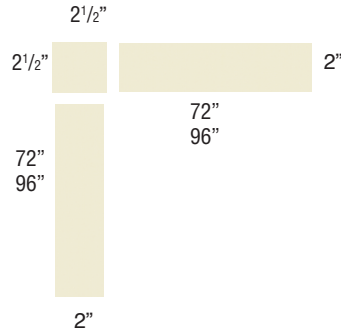


## OPTIONS: ACCESSORIES

Available for on-site installation. Must be ordered separately.

### Solid Surface Trim Kits

EOTK Outside Edge Trim  
EOTTK Outside Tile Edge Trim  
Solid Colors  
31 White  
38 Bisque  
39 Grey

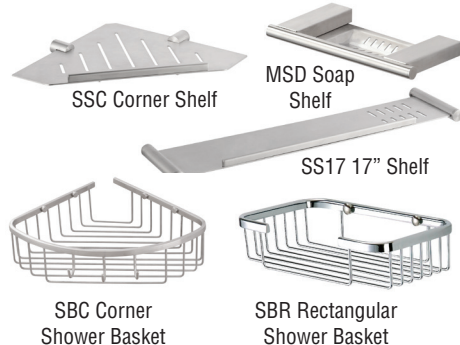


SFIM Flat Inside Corner Trim - Saramar® colors



STVL Lighted Storage Pod

### Shelves & Baskets - stainless steel



### Grab Bars

