



UTILITY CABINET with WORKTOP

Black utility cabinet / stainless steel worktop / 3 drawers

TC3D-1522-B

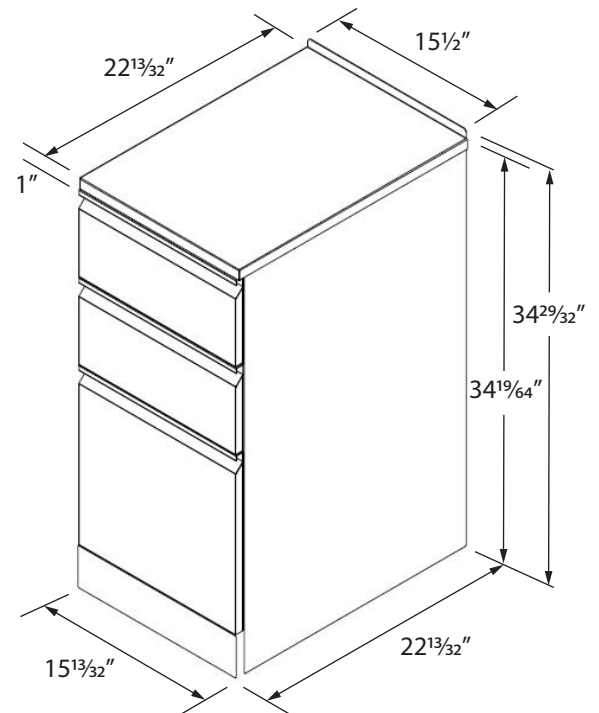
FEATURES:

- Includes: Assembled 3 drawer metal cabinet with stainless steel worktop
- Stainless steel worktop.
- High quality Dupont gloss black powder coating
- Concealed finger pull handle with soft close
- Three drawers bring functionality and modern style
- Soft close ball bearing side mounted drawer slides
- The cabinet top two drawers maximum draw loading 33lbs evenly distributed.
- The cabinet bottom drawer maximum draw loading 55lbs evenly distributed.
- UV resistant suitable for indoor or outdoor use
- Adjustable feet included
- Easy to clean
- Limited lifetime warranty



Specified Model

Model No.				
COMPLETE UTILITY CABINET				
<input type="checkbox"/>	TC3D-1522-B	Utility Cabinet and Work Top		
		Width	Depth	Height
	Utility Cabinet	15 ¹³ / ₃₂ "	22 ¹³ / ₃₂ "	34 ¹⁹ / ₆₄ "
	Stainless Steel Top	15 ¹ / ₂ "	22 ¹³ / ₃₂ "	1"



Applicable Codes & Standards:

- IAPMO®
- #B45.0 and #B45.5; Drain - #B125
- ANSI – Specification Z 124-2017