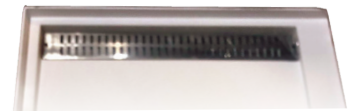


## FEATURES

- Solid material all the way through which is cast as a single piece.
- Aluminum Hydroxide (Bauxite) combined with pure acrylic polyester resin creates a homogeneous material that is super dense and consistent throughout the base. This results in a product that is easy to repair, soft to the touch and contains gentle matte surfaces that will not support bacteria growth.
- 3-7/16" curb height for a sleek, modern look.
- A wide 3-1/2" threshold depth to hold the modern barn door style shower doors. Also includes an integral 1" high tiling flange for a waterproof installation.
- Finally textured slip-resistant surface.
- Heavy Duty type 304 stainless steel covered drain cover, conceals a standard shower drain.
- 10 Year Limited Residential Warranty / 3 Year Commercial Warranty



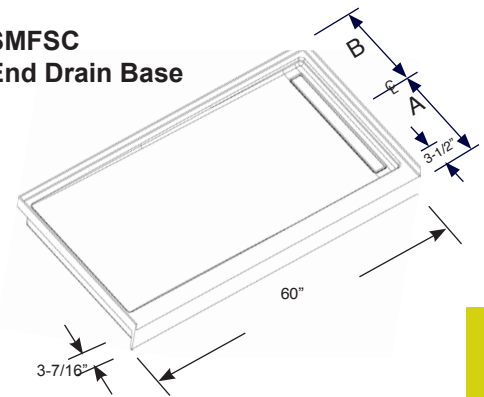
Heavy Duty  
Stainless Steel  
Drain Cover



## Specify Model

|                          | SIZE      | Drain Location |          | Length | Width | HT.     | A   | B   |
|--------------------------|-----------|----------------|----------|--------|-------|---------|-----|-----|
|                          |           | Left           | Right.   |        |       |         |     |     |
| <input type="checkbox"/> | 60" x 30" | FSC6030L       | FSC6030R | 60"    | 30"   | 3-7/16" | 18" | 16" |
| <input type="checkbox"/> | 60" x 32" | FSC6032L       | FSC6032R | 60"    | 32"   | 3-7/16" | 17" | 15" |
| <input type="checkbox"/> | 60" x 34" | FSC6034L       | FSC6034R | 60"    | 34"   | 3-7/16" | 19" | 17" |

SMFSC  
End Drain Base



## To Be Specified: Color

|                          |             |   |   |   |
|--------------------------|-------------|---|---|---|
| <input type="checkbox"/> | 01 White    |  |  |  |
| <input type="checkbox"/> | 87 Concrete | White 01  | Concrete 87   | Cameo 02  |
| <input type="checkbox"/> | 02 Cameo    |   |   |   |

## Compliance Certifications - Meets or Exceeds the Following Specifications

- IGC 154-2012
- ASME A112.18.1 / CSA B125.125.1-11
- IAPMO
- cUPC® 