

Features

- 29⁵¹/₆₄" (757) x 19⁴⁵/₆₄" (500) x 9²⁹/₃₂" (252) kitchen sink.
- Single compartment.
- Sink is glazed on all four exterior sides. Suitable for undermount, flush mount, built-up, or above counter installation.
- Farmhouse style with a wrap around 9²⁹/₃₂" (252) high apron front.
- Front panel is reversible. Roman pattern on one side, plain front (no pattern) on other side.
- Made of highest grade fireclay, which is clay heated to an extremely high 1600° making the sink hard and durable, with a beautiful high shine.
- Durability of fireclay means it is resistant to scratches and chips and is easy to clean.
- Extra deep bowl means more room for big pots.
- Fits 36" (914) minimum base cabinet width.

Components

Product includes:
Installation Instructions

Options

- TSGF30201 Stainless Steel Bottom Sink Grid
- 2210R Covered Sink Strainer
- 4010 Covered Disposer Strainer

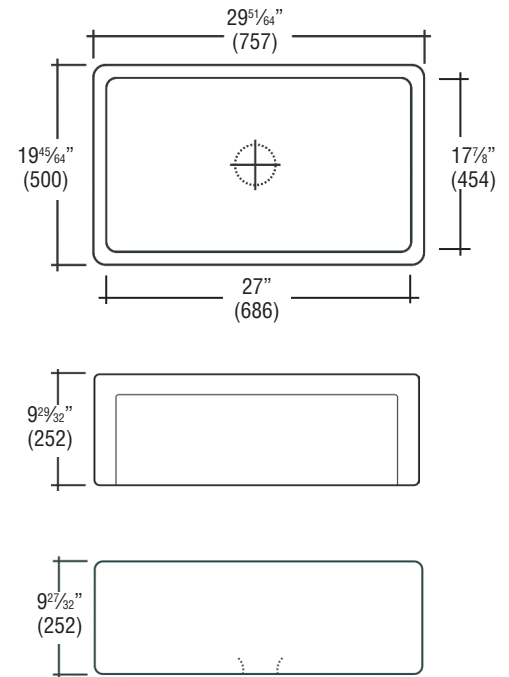
Warranty

- Lifetime Limited Warranty



Specified Model

| Model | FUSR302010 |
|--------------------|---|
| Overall Dimensions | L29 ⁵¹ / ₆₄ " x W19 ⁴⁵ / ₆₄ " x D9 ²⁹ / ₃₂ " 757 x 500 x 252 |
| Bowl Dimensions | L27" x W17 ⁷ / ₈ " x D9 ¹ / ₂ " 686 x 454 x 241 |
| Drain hole: | 3 ⁵ / ₈ " (92mm) |
| Shipping Weight | 100.3 lbs. 45.5 kg. |
| Material | Fireclay |
| Color | White |
| Installation | under counter mounted |
| Required | template, included |



Codes/Standards

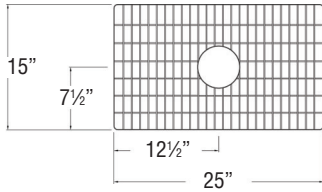
ASME A112.19.3/CSA B45.4

Notes

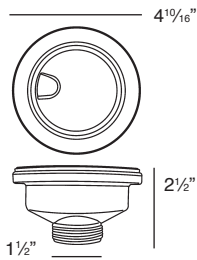
Install this product according to the installation instructions.

Optional Accessories

TSGF30201 Bottom Sink Grid

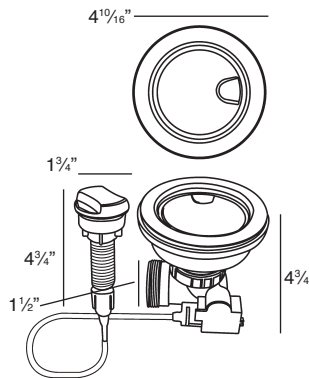


2210R Covered Flip Top Sink Strainer.



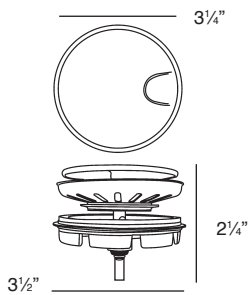
Water drains easily when cover is in place. Cover flips up with easy touch. Cover makes a flat surface at the sink bottom that prevents food waste from getting into the strainer basket for easy sink clean up. Polypropylene housing. Fits standard 3 1/2" opening.

2310 Remote Covered Flip Top Sink Strainer.



Turn the remote knob to open and close drain. Water drains easily when cover is in place. Cover flips up with easy touch. Cover makes a flat surface at the sink bottom that prevents food waste from getting into the strainer basket for easy sink clean up. Polypropylene housing. Fits standard 3 1/2" opening. 1 3/8" hole required in countertop for remote installation. Remote cable 25 1/2" L.

4010 Covered Flip Top Disposer Strainer.



Water drains easily when cover is in place. Cover flips up with easy touch. Polypropylene housing. Top mount installation for 3 1/2" opening.