

Features

- 29½" (749) x 18½" (470) x 10" (254) kitchen sink.
- Single compartment.
- Sink is glazed on all four exterior sides. Suitable for undermount, flush mount, built-up, or above counter installation.
- Farmhouse style with a wrap around 10" (254) high apron front.
- Sink is reversible for drain location - either left or right center.
- Made of highest grade fireclay, which is clay heated to an extremely high 1600° making the sink hard and durable, with a beautiful high shine.
- Durability of fireclay means it is resistant to scratches and chips and is easy to clean.
- Extra deep bowl means more room for big pots.
- Fits 36" (914) minimum base cabinet width.

Components

Product includes:
Installation Instructions

Options

- 2210R Covered Sink Strainer
- 4010 Covered Disposer Strainer

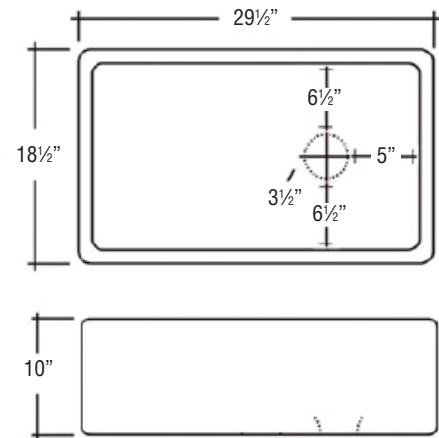
Warranty

- Lifetime Limited Warranty



Specified Model

Model	FUST301910
Overall Dimensions	L29½" x W18½" x D10" 749 x 470 x 254
Bowl Dimensions	L28" x W17" x D9" 711 x 432 x 229
Drain hole:	3½" (89mm)
Shipping Weight	90.4 lbs. 41 k.g.
Material	Fireclay
Color	White
Installation	under counter mounted
Required	template, included



Codes/Standards

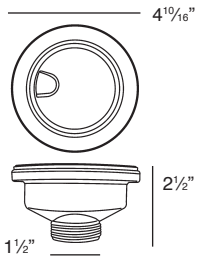
ASME A112.19.3/CSA B45.4

Notes

Install this product according to the installation instructions.

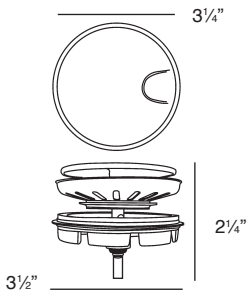
Optional Accessories

2210R Covered Flip Top Sink Strainer.



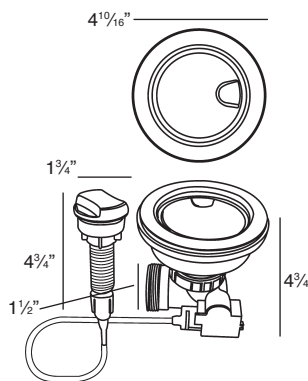
Water drains easily when cover is in place. Cover flips up with easy touch. Cover makes a flat surface at the sink bottom that prevents food waste from getting into the strainer basket for easy sink clean up. Polypropylene housing. Fits standard 3½" opening.

4010 Covered Flip Top Disposer Strainer.



Water drains easily when cover is in place. Cover flips up with easy touch. Polypropylene housing. Top mount installation for 3½" opening.

2310 Remote Covered Flip Top Sink Strainer.



Turn the remote knob to open and close drain. Water drains easily when cover is in place. Cover flips up with easy touch. Cover makes a flat surface at the sink bottom that prevents food waste from getting into the strainer basket for easy sink clean up. Polypropylene housing. Fits standard 3½" opening. 1⅜" hole required in countertop for remote installation. Remote cable 25½" L.