

FEATURES

- 32⁶³/₆₄" x 22¹/₆₄" x 10" offset 60/40 double bowls.
- Dual mount kitchen sink. The rim of the sink can sit on the counter top or installed under the counter.
- Transolid silQ®granite sinks are by made with the union of natural granite and acrylic resin. The result gives our sinks high resistance to high temperatures, scratches, dents and chips, as well as impacts and violent shocks.
- The non-porous surface is resistant to bacteria growth and reduces the need for cleaning with harsh chemicals and is 100% food safe.
- Lifetime Limited Residential Warranty

COLORS

- 3 Colors

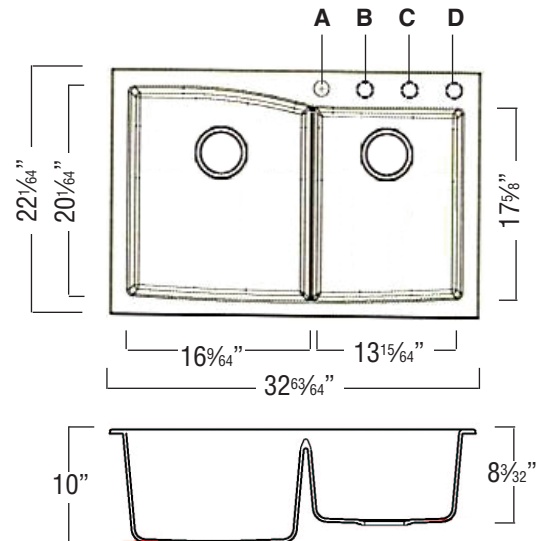
OPTIONS

- TSGG2016 Bottom Sink Grid (fits left sink bowl only), TSDIK Universal Sink Drain Installation Kit, 2210 Covered Flip-Top Sink Strainer, 2310 Remote Flip-Top Sink Strainer, 4010 Covered Flip-Top Disposer Strainer, 2012 Standard Sink Strainer, Soap Dispenser.



Specified Model

Model	GTDW33322
Overall Dimensions	L32 ⁶³ / ₆₄ " x W22 ¹ / ₆₄ " x D10"
Left Bowl Dimensions	L16 ⁹ / ₆₄ " x W20 ¹ / ₆₄ " x D10"
Right Bowl Dimensions	L13 ¹⁵ / ₆₄ " x W17 ⁵ / ₈ " x D8 ³ / ₃₂ "
Faucet Holes	comes with 1 pre-drilled center hole (A) can specify up to 3 additional holes.
Shipping Weight	48 lbs.
Material	silQ®granite
Installation	top mounted or under mounted
Required	2 basket strainers not supplied



KITCHEN SINKS

To Be Specified:

	COLOR
<input type="checkbox"/>	09 Black
<input type="checkbox"/>	12 Espresso
<input type="checkbox"/>	17 Grey

To Be Specified:

	Faucet Hole Drillings
<input type="checkbox"/>	1 Hole (included)
<input type="checkbox"/>	2 Holes
<input type="checkbox"/>	3 Holes
<input type="checkbox"/>	4 Holes

IMPORTANT: Circle Letter(s) above to indicate location(s) for faucet hole drillings (there is a 4" spread between hole locations).

