

FEATURES:

- Transolid stainless steel grab bar shelves are a beautiful, easy-to-install addition to Transolid Titan, Prodigy, Expressions, and SaraMar solid surface walls, or any other solid surface or tile shower.
- Grab bar includes 14-gauge shelf and 8-gauge rail to ensure shower products and accessories do not fall from the shelf.
- Includes concealed mounting hardware and installation guide.
- Install directly on tile inside or outside of the shower, requires 2-in solid wood in wall backing.
- Compatible with many bathroom accessories offered by Transolid to complete your desired style.
- Durable stainless steel provides safe storage with a weight capacity up to 300lbs., long-lasting corrosion, rust, and chemical resistant.



WARRANTY

- Lifetime Limited Residential / 5 Year Commercial

INSTALLATION REQUIREMENT

- To assure proper and safe installation, use minimum 2" thick solid wood in-wall backing material. Backing must comply with building code requirements.

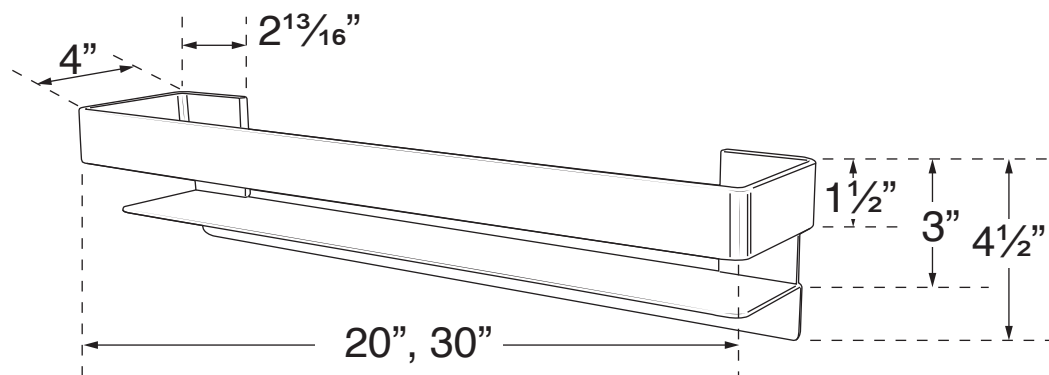
To Be Specified:

	MODEL NO.	DESCRIPTION	Height	Width	Depth
<input type="checkbox"/>	JGBS20	20" Grab Bar shelf	3"	20"	4"
<input type="checkbox"/>	JGBS30	30" Grab Bar shelf	3"	30"	4"

TO ORDER add the finish code to end of model number

To Be Specified: Finish

	Code	Finish
<input type="checkbox"/>	PC	Polished Chrome
<input type="checkbox"/>	BS	Brushed Stainless
<input type="checkbox"/>	MB	Matte Black
<input type="checkbox"/>	CB	Champagne Bronze



FEATURES:

- Samuel mueller stainless steel grab bar shelves are a beautiful, easy-to-install addition to Samuel mueller Trinity, Mariner, Silhouette, and Monterey solid surface walls, or any other solid surface or tile shower.
- Grab bar includes 14-gauge shelf and 8-gauge rail to ensure shower products and accessories do not fall from the shelf.
- Includes concealed mounting hardware and installation guide.
- Install directly on tile inside or outside of the shower, requires 2-in solid wood in wall backing.
- Compatible with many bathroom accessories offered by Samuel mueller to complete your desired style.
- Durable stainless steel provides safe storage with a weight capacity up to 300lbs., long-lasting corrosion, rust, and chemical resistant.



WARRANTY

- Lifetime Limited Residential / 5 Year Commercial

INSTALLATION REQUIREMENT

- To assure proper and safe installation, use minimum 2" thick solid wood in-wall backing material. Backing must comply with building code requirements.

To Be Specified:

	MODEL NO.	DESCRIPTION	Height	Width	Depth
<input type="checkbox"/>	SMJGBS20	20" Grab Bar shelf	3"	20"	4"
<input type="checkbox"/>	SMJGBS30	30" Grab Bar shelf	3"	30"	4"

TO ORDER add the finish code to end of model number

To Be Specified: Finish

	Code	Finish
<input type="checkbox"/>	PC	Polished Chrome
<input type="checkbox"/>	BS	Brushed Stainless
<input type="checkbox"/>	MB	Matte Black
<input type="checkbox"/>	CB	Champagne Bronze

