

Aluminum Shower Wall Kits and Panels

Installation Instruction

PRODUCT WARNINGS

SAFETY GUIDELINES

KIT CONTENTS

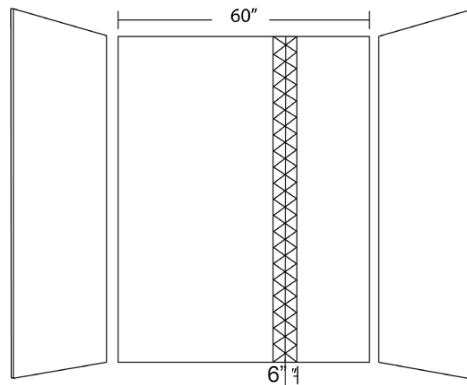
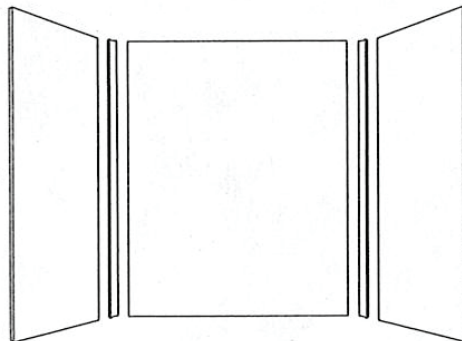
REQUIRED TOOLS

PREPARATION TIPS

INSTALLATION PROCEDURE

CLEANING & MAINTENANCE

SURFACE REPAIR



READ AND UNDERSTAND BEFORE INSTALLING

Safety Guidelines

IMPORTANT NOTICE

IMPORTANT NOTICE: Indicates that equipment or property damage can result if instructions are not followed.

Read and Understand the Manual

It is the responsibility of any individual who installs or maintains this product to fully understand and follow proper installation and maintenance procedures. Be aware of the inherent dangers in the use of power tools when installing this product. Read and understand all Warnings, Cautions, and Important Notices in this manual.

Work Safely

DO NOT proceed if any doubt arises about the correct or safe method of performing anything found in this or other manuals. The installation of this product can require using power tools. Do not use power tools without adequate training. If necessary, hire or consult a trained professional for expert assistance before continuing.

Use Proper Tools

Always use proper tools which are in good, working condition during the installation of the products. Using tools other than those listed could adversely affect the integrity of floors, pipes, walls, or this product and could result in water damage or other damage to floors, pipes, walls, or other portions of your building or home.

Do Not Use Nails

Recommends 100% clear silicone sealant to mount this product. Never use hammers, nails, or screws. Hammers, nails and screws could adversely affect the integrity of this product. Nails and screws could puncture the Wall Systems and Panels, resulting in water or other damage to floors, pipes, walls or other portions of your building or home.

Inspect Before Cutting

Make sure no electrical wiring or plumbing is present before cutting into a wall to install any accessories.

Wall Conditions

Inspect the walls before installing the panels. Never install panels over damp walls or an existing mold condition.

Use Proper Installation Methods

Follow all instructions related to wall surface preparation. Failure to follow such instructions could cause the panels to detach from the wall surface after installation, resulting in personal injury. Failure to follow these instructions could result in water damage.

WARNING

Lifting Hazard

According to the National Institute of Occupational Safety and Health, the recommended maximum safe lifting weight is 51 pounds, with all lifting conditions perfect - minimal forward reach, steady load close to the body, straight back, load between knees and shoulders, and good grip. To avoid personal injury, always use these proper lifting techniques and use two people to move carton weighting more than 51 lbs. The box containing Samuel Mueller kit can weigh in excess of 280 pounds. Use the appropriate lifting devices to move the load. Always use two people when lifting heavy or bulky cartons. DO NOT attempt to lift objects that are too heavy. When carrying a heavy load - get help!

Room Temperature

Allow panels to adjust to room temperature for at least six hours before installation, and consult the 100% silicone sealant manufacturer's instructions for storage and surface preparation. The panels should be installed at temperatures not less than 65°F. Panels should not be installed in areas where the temperature may drop below freezing (32°F). Failure to follow this recommendation could adversely affect the silicone sealants which holds the panels to the wall. If the panels are not correctly adhered to the walls, they may fall off, causing possible injury to someone in or around the shower enclosure.

Eye Protection

Be sure to use all personal protective equipment to ensure your own safety. To avoid eye injury, always wear protective glasses with side shields when using power tools. Also, make sure no one else can be injured by flying particles when using power tools.

Grab Bars

We recommend that shower compartments be equipped with support grab bars that comply with the most recent edition of AN-SI-A117.1 requirements. Grab bars must be anchored to structural support (wall studs) behind the panels. Do not rely on the panels only for grab bar support.

Personal Protection

Be sure to use all personal protective equipment, such as sturdy work boots, preferably with steel toes, gloves, and hard hat, if necessary, to ensure your own safety. To prevent possible damage to your hearing, always wear ear protection, such as ear-muffs or earplugs, when working around power tools.

Cutting Hazard

The installation of the product may require using power tools. Keep hands away from the cutting edge of any tool used in the installation of our product. Place fingers in or around the cutting blades could result in serious personal injury.

Sharp Edge Hazard

After cutting the edge of a panel, it can be sharp. Wear protective gloves to prevent personal injury.

Slipping Hazard

Do not install this product in the presence of water. Installing this product without drying all surfaces, or in the presence of water, could cause you to slip and fall due to wet floors or spilled fluids. Personal injury can result from slips or falls. Before installation, dry all surfaces, including the floor, with a cloth or paper towel. Clean up all water or spilled fluids immediately.

Fire Hazard

Personal injury or death can result from a fire caused by flammable liquids or silicone sealants. Cleaners or solvents can be highly explosive, resulting in personal injury or even death, when not used properly. Clean up any flammable substance immediately. Sparks or open flames can cause flammable substances to ignite. DO NOT smoke while working on or near any flammable substance.

Solvent Hazard

Follow all manufacturer's safety instructions for silicone sealants and denatured alcohol. Alcohol vapors are both flammable and hazardous to breathe. Silicone vapors may irritate eyes and nose. Personal injury can result from improperly handling or use of products, such as denatured alcohol. Always follow the manufacturer's recommendations for the safe use of these products. Ventilate any work area before beginning to apply silicone sealants, cleaning agents, or solvents.

Fumes Hazard

The fumes from the silicone and solvents used by the installer can be harmful if used in an unventilated room. Always work in a well ventilated area. To keep the area well-ventilated, open windows and use exhaust fans. If adequate ventilation is not achievable or practical, use respiratory protective equipment.

Dust Hazard

When cutting or drilling the product, use a dust collection method which prevents dust particles from going into the air. Always work in a well-ventilated area. Always use an OSHA approved dust mask when cutting, drilling, or sanding the products.

Power Tool Hazard

To prevent personal injury or possible death, always follow the electrical safety recommendations of the power tool's manufacturer. Do not use power tools in an unsafe manner. Power tools should only be connected to a circuit protected by a ground-fault circuit interrupter (GFI).

Shock Hazard

Never use electric power tools around water, condensation, or other liquids. Electric shock can cause severe burns, significant injuries, and even death. If an extension cord is required, always use an OSHA approved extension cord. Power cords should only be connected to a circuit protected by a ground-fault interrupter (GFI).

Safety Guidelines

Electrical Shock Hazard

Contacting live electrical wiring with power tools or hand tools can cause serious injury or death. Make sure all related circuit breakers are turned OFF. Test for live circuits or wiring inside any wall where installation of the product requires cutting into a wall.

Electrocution Hazard

Water and other liquids conduct electric current and can create a short circuit, resulting in injury or death. Keep all liquids away from electrical cords and power tools. DO NOT create a short circuit between a source of electricity and a liquid by being in contact with both simultaneously.

General Information

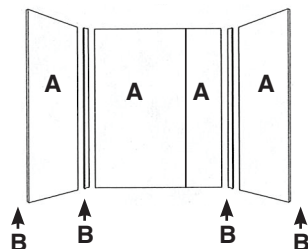
Required Tools

- 100% clear silicone sealant
- Circular saw with 60 to 80 tooth carbide blade
- Saber saw (straight up and down travel) with bi-metal blade (14 teeth per inch)
- Drill with 3/8" drill bit
- Hole saw for shower faucet/shower head
- Tape measure
- Masking tape (2" wide works best)
- Level
- Compass or dividers (scribe the panel to the wall)
- Caulking gun
- Clean paper towels or shop towels
- Rubber trowel to apply grout material between panels.
- Sponge to clean excess grout
- Sandpaper #1
- Quick Grab, Heavy Duty (non-solvent based) Construction Adhesive. Use Silicone Adhesive when installing panels over existing tile.
- Grout to fill in seam or use seam trim.
- 2 x 4 lumber, as required for bracing (see Bracing Instructions)
- Industrial grade, hot glue gun and glue sticks (optional)
- Denatured alcohol

Kit Contents

Confirm that all parts of this kit has been included before beginning installations.

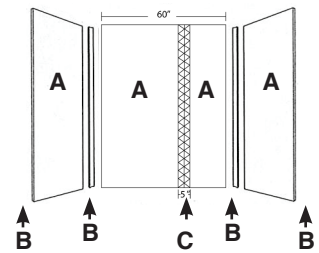
TWK363696
 TWK483696
 TWK603696B
 TWK603696
 TWK604896B
 TWK604896



- A. 36" and 48" wide shower kits include 3 flat wall panels (2 end walls, 1 back wall)
 60" wide shower kits include 4 flat wall panels (2 end walls, 2 back walls)
- B. 2 inside corner trim pieces, 2 outside corner trim pieces. 60" wide wall kits include 1 seam trim piece.

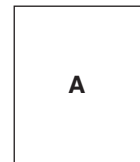
General Information

TWKD603696B
 TWKD603696



- A. 60" wide shower kits include 4 flat wall panels (2 end walls, 2 back walls)
- B. 2 inside corner trim pieces, 2 outside corner trim pieces. 60" wide wall kits include 1 seam trim piece.
- C. Deco Strip Kit

TW3996, TW4896



- A. 1 flat wall pane (trimmable)

For best results, use 100% clear silicone sealant for bonding this product to a properly constructed and prepared sub wall. You will need one tube of 100% clear silicone sealant (tube sized to fit a standard caulking gun) for every 1440 square inches or 10 square feet, or 4 to 10 tubes for an average shower. Follow the application recommendation located in the Panel Installation of this manual.

Unpackaging

- Use care when opening the box so that you do not damage the panels.
- Carry the panels as individual piece with two people. Wear protective gloves when handling the panel.
- This product is shipped to you or your retail center after careful inspection. After purchasing the kit, carefully unbox and inspect the product for any shipping damage that may have occurred. If damage is found, report it immediately to the store of purchase. After inspection and during installation, protect the products from construction damage by moving them to another room or area until ready to install.
- Store panels in a flat area to avoid warpage until the time of installation. Do not store the panels outside of the original packaging in a vertical position.
- Please use the model number located on the side of the box or the front of this manual when contacting us with questions concerning the installation of this unit.
- Make sure the walls are the correct size and are in good condition. Installation of damaged product will void the warranty.

Helpful Hints

- Read these instructions carefully and familiarize yourself with the various parts of the kit.
- The variety of installations possible for this kit may require procedures other than those shown. Ensure construction is correctly sized, plumb, and square.
- Save the large cardboard box for protection of the shower floor during the installation process and to use as a template for cutting the back shower wall panel.
- Allow sufficient time for the parts in this kit to adjust to room temperature. Samuel Mueller does not recommend installation of this products at temperatures below 65 degrees.
- Sawhorses with 2 x 4 cross-members or a worktable are helpful during the installation process.
- Always transport the panels vertically. Use care when laying the panels flat to prevent flexing, especially when panels have a cut-out in them.
- Store unused materials away from the work area to prevent accidental damage.
- If the shower is placed above the garage or on an outside wall, care must be taken to ensure the shower is properly insulated from cold temperatures.

Preparation Tips

- Measure the width of the back wall (with green board) installed. This measurement cannot exceed the width of the back panel. If the wall opening is too large, other methods or two panels will be required to cover the wall.
- Turn off the hot and cold water supply.
- Remove the faucet handles, escutcheons, filler spouts, and/or anything mounted to the wall (i.e. towel bars, soap dishes, etc.).
- Always measure the location of the plumbing cut-outs from the back wall forward and from the ledge of the shower base upward.
- Ensure all plumbing or electrical work inside the walls is finished prior to installation of the wall panels.
- Prepare the area with 1/2" (13mm) moisture-resistant drywall, marine grade plywood, or concrete board. Never install products directly on any surface that is, or may become, wet or damp.
- Trial fit the side panels before you begin. Panels have a finished side and a non-finished backer side. The panel should be placed with the non-finished side against the sub-wall.
- Walls must be solid, plumb, and square with 1/8" of true. Shim or trim the opening, as required. This kit has been designed with some adjustability for minor alignment problems.
- The mounting surface must be free of dirt, film, waxes, or any other residues.
- If you are installing a recessed accessory, cut the hole after the panel is installed and fully supported by the wall. Remember to position the accessory between the wall studs.

Caulking Tips

- Follow the instructions on the silicone sealant tube.
- When job is complete, inspect all caulked areas for gaps and fill as needed
- Clean up any excess silicone that was missed using denatured alcohol and a clean cloth.
- Be very careful not to disturb caulk joints.

Installation Procedure

Samuel Mueller wall panels can be installed over a variety of products. If you intend to apply the panels to any surface other than those described consult with a professional contractor. Use the following sections when installing this product over:

- Sheetrock, Greenboard, Cement Board, Wood
- Plaster
- Cement/Concrete
- Old Tile
- Wallpaper
- Masonite

Sheetrock, Greenboard, Cement Board, or Wood

- Surface must be dry, smooth, and free of any dust, soap scum, or other contaminants.
- To ensure proper adhesion of the product, the wall surface must be sealed with a water or oil-based primer/sealer.
- After the primer/sealer is completely dry, complete the installation following the instructions in this manual.

Plaster

Depending on the condition of the existing wall surface, additional silicone may be required to ensure contact between the substrate and the wall panel.

- Sand textured or swirled finishes smooth.
- Clean the wall surface with a damp cloth to remove any dust, soap scum, or any other contaminants. The wall surface must be dry and smooth.
- To ensure proper adhesion of the product, the wall surface must be sealed with a water or oil-based primer/sealer.
- After the primer/sealer is completely dry, complete the installation following the instructions in this manual.

Cement/Concrete

Depending on the condition (flatness) of the existing wall surface, additional silicone may be required to ensure contact between the substrate and the wall panel.

- To ensure proper adhesion of the product, the complete area must be sealed with two coats of water or oil-based primer/sealer.
- After the primer/sealer is completely dry, complete the installation following the instructions in this manual.

Installation Procedure

Old Tile

Depending on the condition of the existing wall surface, additional silicone may be required to ensure contact between the substrate and the wall panel.

IMPORTANT NOTICE

- Old ceramic tiles, if solidly adhered, do not need to be removed. All plastic tiles must be removed.
- Remove or reattach any loose ceramic tiles. Old tiles and front edge ceramic tiles should be reset for appearance only.
- Remove any tile accessories attached to the walls.
- Remove the bottom row of tile and cut a ventilation gap in the substrate.
- Surface must be dry, smooth, and free of any dust, soap scum, or any other contaminants.
- Complete the installation following the instructions in this manual.

Note: If using a trim kit, old tiles may need to be removed to allow a proper fit

Wallpaper

- All wallpaper must be removed from the area being covered. Clean the wall surface to remove any dust, soap scum, or other contaminants. The wall surface must be dry and smooth.
- To ensure proper adhesion of the product, the complete wall surface must be sealed with two coats of water or oil-based primer/sealer.
- After the primer/sealer is completely dry, complete the installation following the instructions in this manual.

Masonite

- Clean the wall surface to remove any dust, soap scum, or any other contaminants. The wall surface must be dry and smooth.
- To ensure proper adhesion of the product, the wall surface must be sealed with a water or oil-based primer/sealer.
- After the primer/sealer is completely dry, complete the installation following the instructions in this manual.

Followed carefully, these installation instructions will result in an easy, trouble-free installation of the product. Any deviations, additions, and/or deletion from the prescribed installation without prior written approval, will void the warranty covering this product.

Disclaimer

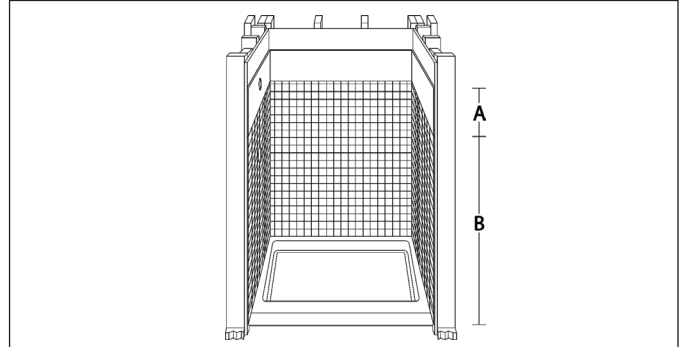
The information contained in this Installation Manual is given free of charge. It is based upon technical data which we believe to be reliable and is intended for use, by persons having knowledge of this technical area, at their own discretion and risk. We assume no responsibility for results obtained or damage incurred from the use of this material either in whole or in part by the buyer.

•This manual will give you basic instructions for the installation of the product in a step-by-step sequence that will work in most types of installations. If you have an installation application that is not covered in this manual, please call your local distributor or contact directly for additional information about your application.

•Follow all installation instructions. Failure to follow these instructions could result in personal injuries, water damage, or other damage to floors, pipes, walls, or other portions of your building or home.

Filler Boards

If an existing wall covering (i.e. tile) does not extend to a height equal to the height of the panel, it will be necessary to install a filler board to that height. The filler board must be equal to the thickness of the existing wall covering (tile). Usually, 1/4" masonite or similar material is adequate. If desired, the filler board can extend from the top edge to the ceiling.



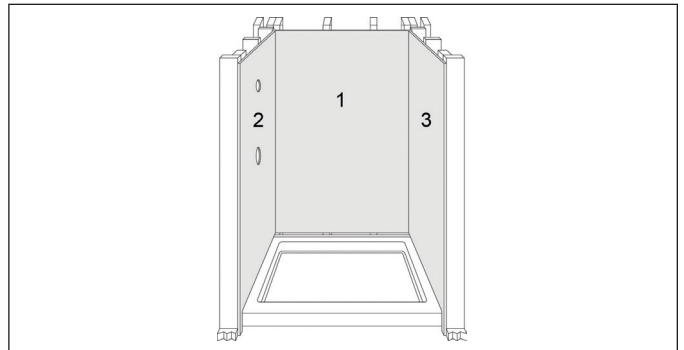
Note: Failure to use filler board to properly install the panels could result in water damage to floors, walls, or other portions of your building or home.

Wallboard Installation

Note: If the wall panels will be installed over an existing shower wall surface, proceed to the next section.

Install 1/2" moisture-resistant cement board or green board over (1) back, (2) left hand side, (3) right hand side wall surfaces of the rough opening.

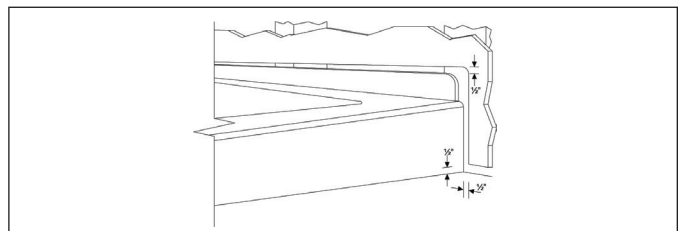
1. Measure and cut openings for the shower faucet(s) and shower head before installation.
2. Install the wall board with a 1/2" gap above the shower base side lip to prevent possible water (wicking affect) damage.



IMPORTANT NOTICE

For a finished appearance, install greenboard up to the front edge of the shower base.

In addition, if baseboard trim (not included) will later be installed along the floor next to the shower base, a 1/2" gap between the floor and bottom of the greenboard is recommended (see illustration below).



Installation Procedure

Wallboard Installation *continued*

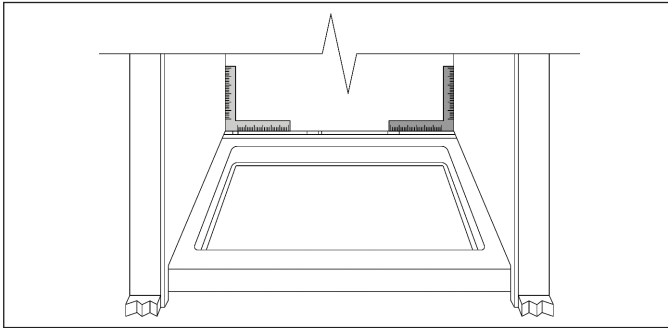
4. Apply a coat of water or oil-based primer/sealer to all the surfaces of the cement board or greenboard (follow the manufacturer's instructions). Allow the primer to dry thoroughly before installing the Samuel Mueller panels.

Wall Panel Installation

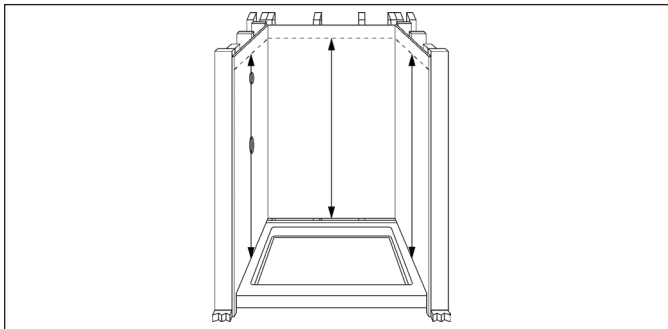
Back Panel

If the back wall measures less than the width of the panel, cut the panel to fit the opening.

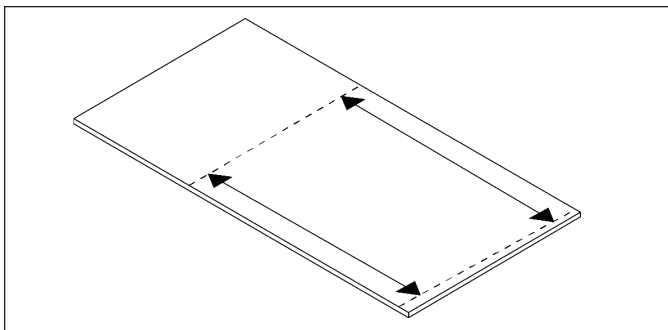
1. Using a builder's square, make sure the shower base is perpendicular to the side walls. If the walls are out of square, the bottom of all the panels may need to be cut to follow the contour of the shower base.



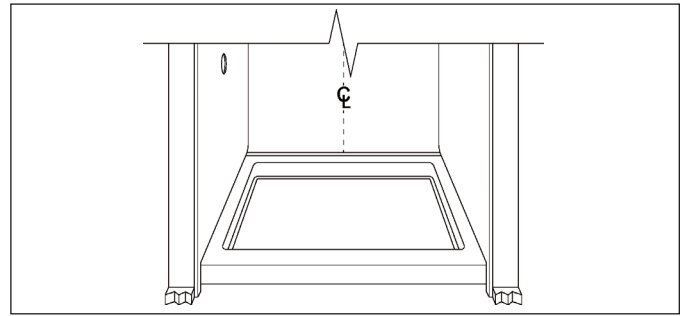
2. If the shower base is not perpendicular to the wall, use a level and draw a line around the alcove on all three walls. Measure the distance from the line to the top of the shower base.



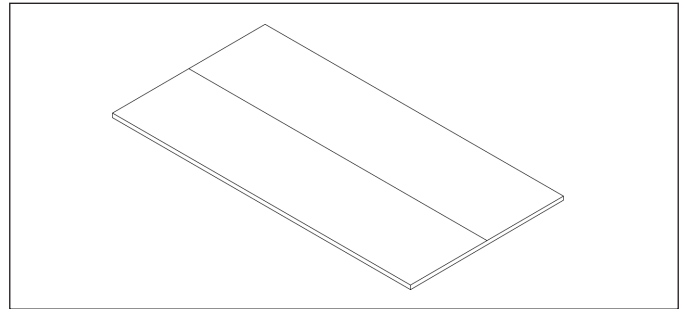
3. Transfer these measurements to both side panels and the back panel. Cut the bottom of the panels.



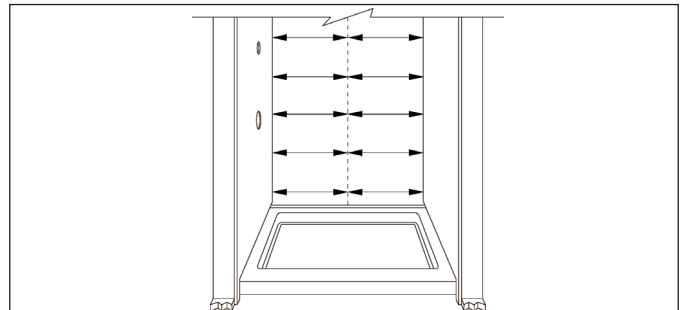
4. If the back panel must be cut (side-to-side) to fit the opening, find and mark the center of the back wall in the alcove opening. Use a level to draw a line from the shower base to a point above the height of the wall panel.



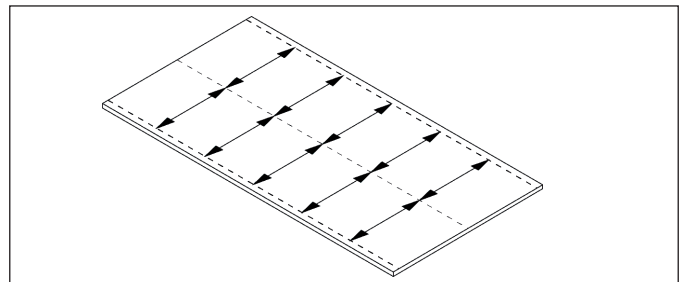
5. Place the panel, finished side facing up, on a flat surface. Using a pencil, lightly mark the center of the back panel.



6. Take several measurements, bottom-to-top, from the center line to each wall surface. These measurements will ensure the back panel fits the exact contour of the two



7. Transfer the measurements onto the front surface of the back panel.



Note: The back panel can be cut **slightly** smaller than the opening because the side panels will cover any small gap (less than 1/4 inch).

Cutting the side panel to precisely fit the back is not necessary if a corner molding, supplied in wall kit, is used. This corner molding will cover gaps up to 1/2".

Installation Procedure

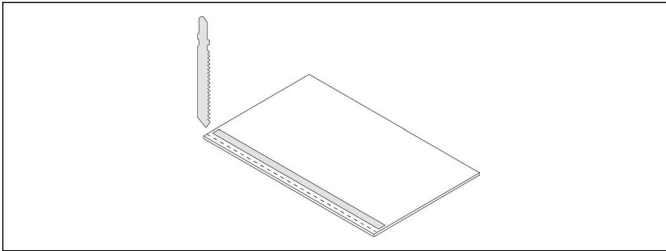
WARNING

Dust Hazard

When cutting or drilling the product, use a dust collection method which prevents dust particles from going into the air. Always work in a well ventilated area. To keep the area well ventilated, open windows and use exhaust fans. Always use an OSHA approved dust mask when cutting, drilling, or sanding products.

8. Place pieces of masking tape over the area where the saw contacts the finished surface of the panel

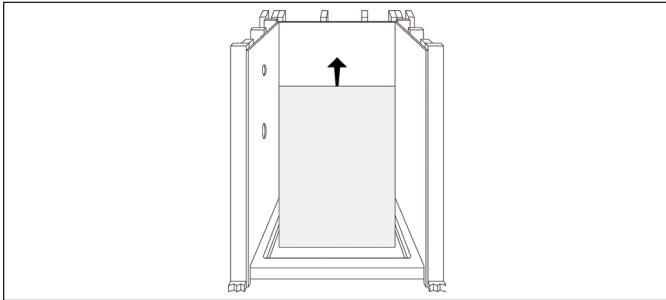
9. Cut the panel using a circular saw with a 60-80 tooth carbide blade or a saber saw with bi-metal blade (14 teeth per inch).



IMPORTANT NOTICE

Any cut out for accessories should have rounded corners (sharp corners can promote stress cracks).

10. Dry fit the back panel, and make any necessary adjustments. Temporarily secure the back panel to the wall in order to properly fit the front and rear panels



IMPORTANT NOTICE

DO NOT force a panel to fit a bowed or curved wall as it may break; furthermore, the resiliency of the panel can break the silicone bond to the wall surface.

Side Panel (with shower controls)

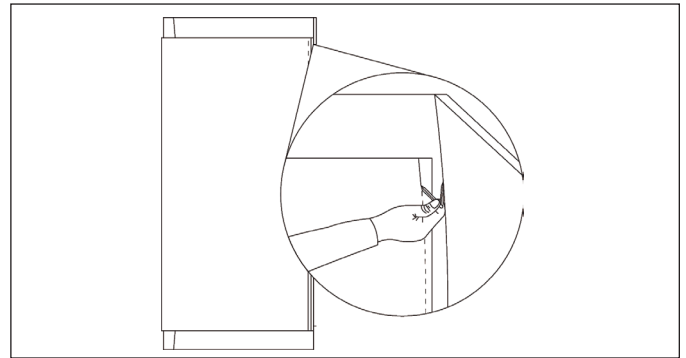
If the side panels do not require cutting to size, proceed to Step 5.

Note: Cutting the side panel to precisely fit the back is not necessary if a corner molding, supplied in wall kit, is used. This corner molding will cover gaps up to 1/2".

1. Place the panel on top of the shower base and slide it against the back wall panel. If the side panel has only one finished edge, make sure that the finished edge is facing out

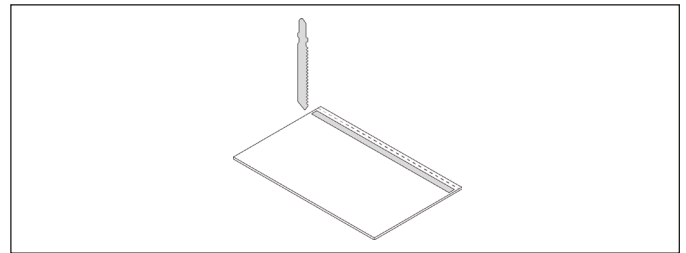
2. Scribe (mark) the panel, as shown. If the panel is wider than the wall, take this width into consideration when scribing the panel.

Note: Precisely scribing and cutting the panel will provide a clean 90 degree corner with no need for corner molding.

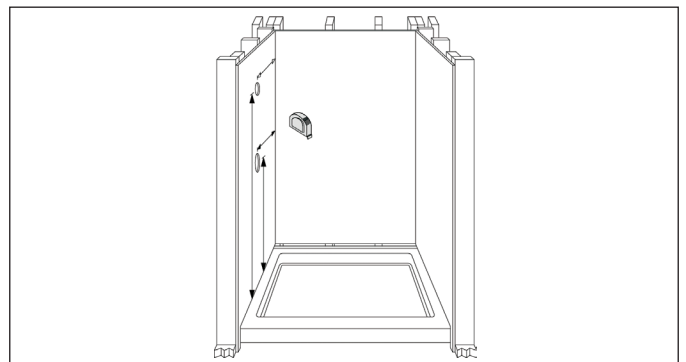


3. Place the panel, finished side facing up, on a flat surface. Place pieces of masking tape over the area where the saw contacts the panel.

4. Cut the panel using a circular saw with a 60-80 tooth carbide blade or a saber saw with bi-metal blade (14 teeth per inch).



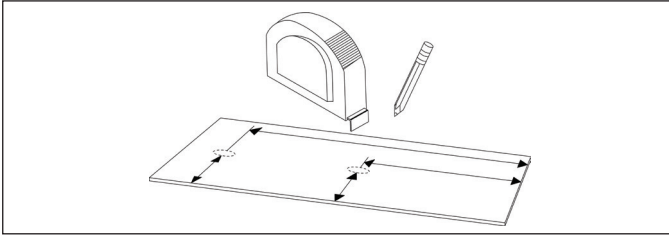
5. Measure the openings for the shower controls and shower head.



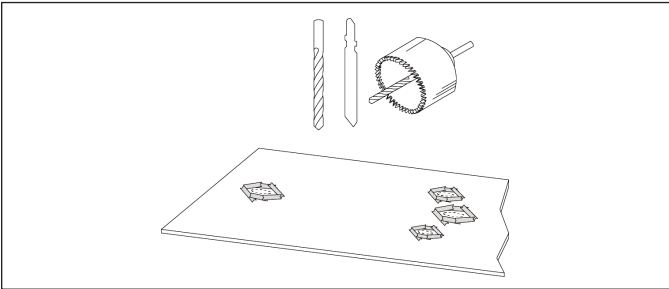
Installation Procedure

Side Panel (with shower controls) *continued*

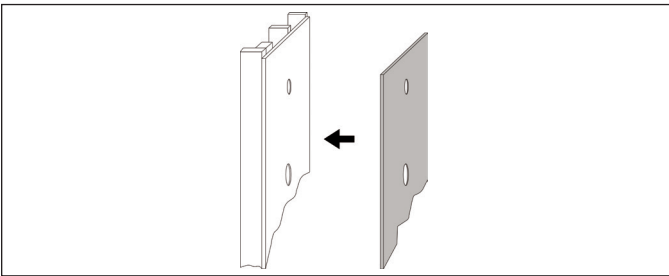
6. Place the panel, finished side facing up, on a flat surface. Transfer the measurements to the panel.



7. Cut clearance holes using a router, saber saw, or hole saw. Drill or cut from the finished side of the panel. For best results, when drilling, place a scrap of wood beneath the hole to ensure a clean cut.



8. Dry fit the panel, and make any necessary adjustments



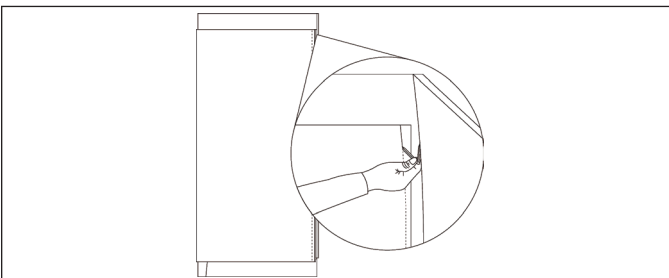
Side Panel (without shower controls)

If the panel does not require cutting to size, proceed to the next section.

1. Place the panel on top of the shower base and slide it against the back wall panel. If the side panel has only one finished edge, make sure that the finished edge is facing out

2. Scribe (mark) the panel, as shown. If the panel is wider than the wall, take this width into consideration when scribing the panel.

Note: Precisely scribing and cutting the panel will provide a clean 90 degree corner with no need for corner molding.



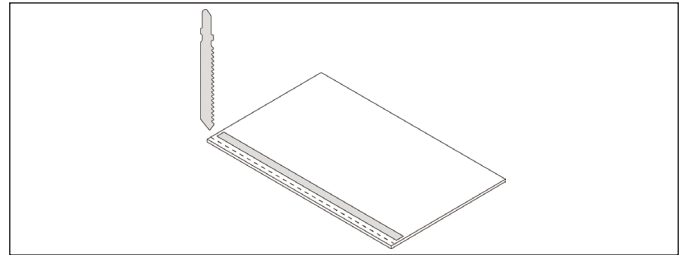
3. Place the panel, finished side facing up, on a flat surface. Place pieces of masking tape over the area where the saw contacts the panel.

WARNING

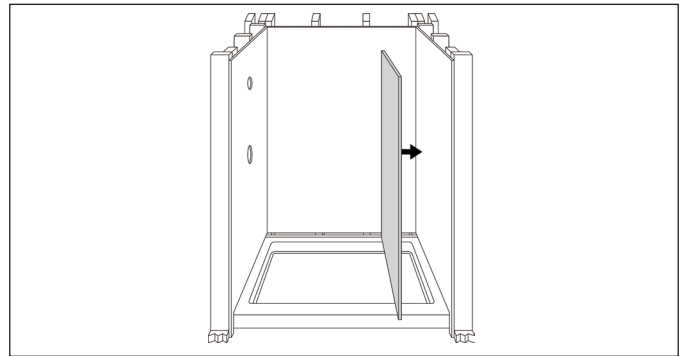
Dust Hazard

When cutting or drilling the product, use a dust collection method which prevents dust particles from going into the air. Always work in a well ventilated area. To keep the area well ventilated, open windows and use exhaust fans. Always use an OSHA approved dust mask when cutting, drilling, or sanding products.

4. Cut the panel using a circular saw with a 60-80 tooth carbide blade or a saber saw with bi-metal blade (14 teeth per inch).



5. Dry fit the panel, and make any necessary adjustments



Panel Installation

WARNING

Fumes Hazard

The fumes from the silicone and solvents used by the installer can be harmful if used in an unventilated room. Always work in a well-ventilated area. To keep the area well-ventilated, open windows and use exhaust fans. If adequate ventilation is not achievable or practical, use respiratory protective equipment.

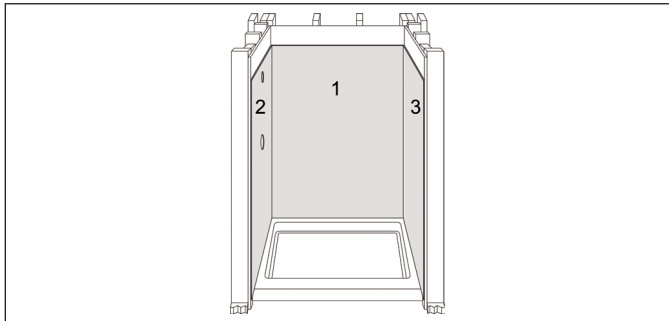
1. First, place the panel on the work table with the non-printed side up, remove the protective film, apply the recommended adhesive taking into account that the bead should be no less than 1/8 inch thick, this can be controlled by the diameter of the hole in the cartridge applicator. (figure 3a)

Installation Procedure

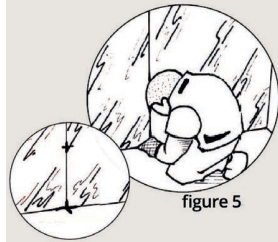
2. The adhesive should be placed around the perimeter of the panel all four sides at about 1 inch from the edge. Then apply vertical beads up the down the length of the panel at about 4 inch apart. (figure 3b)

3. Place the panel against the wall with the adhesive side toward the wall. The adhesive will allow you to make positioning adjustments for 15-20 minutes. This time varies based on the humidity with the room where it is being installed. High humidity reduces the time and low humidity increases the time. (figure 4).

4. Install back panel (1) first. Second, install corner trim (optional) and left-hand panel (2). Third, install corner trim (optional) and right-hand panel (3). Finally, install the edge trim pieces both sides.



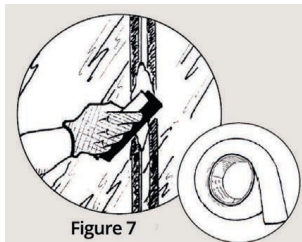
Note: For 60" wide shower, install first back panel, then seam trim or deco strips and second back panel. If not using seam trim, we commend placing 1/8 inch grout spacers between two back panels. (figure 5)



5. Firmly press the surface of each panel against the wall. It is important to apply hand pressure to the entire surface of the panel to bond it to the wall surface.

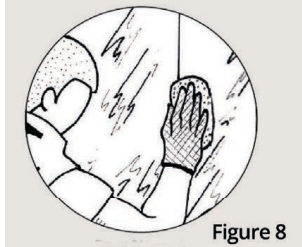
Grouting the Seams

Once all the panels have been installed, you will place masking tape along the vertical edges of the panels, butting up to the space where the grout will go. This will help reduce the extra grout you have to sponge off by allowing you to simply peel the tape off later. After tap-ing, apply the grout to the seams using a rubber trowel. (figure 7)



Control the Time

20 minutes after the grout is applied, you can begin to clean the excess grout off with a damp flat sponge (figure 8) Important: The clean-ing off of excess grout should not be delayed, as the grout dries, the harder it gets and the more difficult it is to remove.



Temporary Bracing

Install temporary bracing to hold the three panels in place until the silicone is completely set (usually 24 hours). This will allow proper curing of the silicone.

IMPORTANT NOTICE

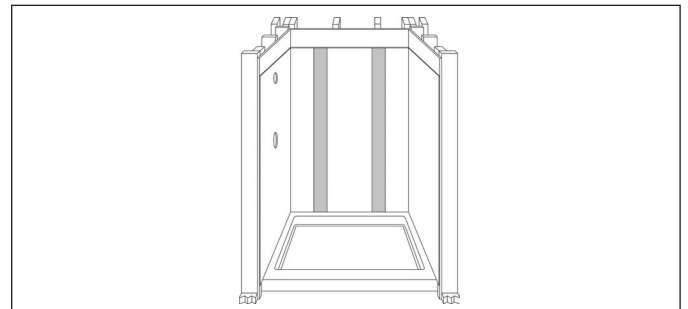
To ensure contact between the panels and walls until the silicone sets, install temporary bracing after completing installation. The bracing should be constructed from lengths of 2x4's. Failure to brace in the manner described could keep the panels from adhering, resulting in personal injury, as well as water damage or other damage to floors, walls, or other portions of your building or home.

IMPORTANT NOTICE

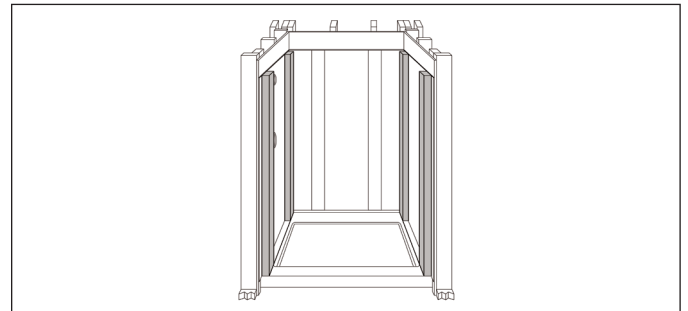
To prevent scratches or other damage, make sure there are no nails or other foreign objects in the surface of the bracing that is placed against the wall panel.

If the horizontal braces are fastened to the vertical braces using nails or screws, make sure the fasteners do not penetrate the surface of the panel. Also to prevent possible damage to the walls, do not apply excessive pressure to the braces.

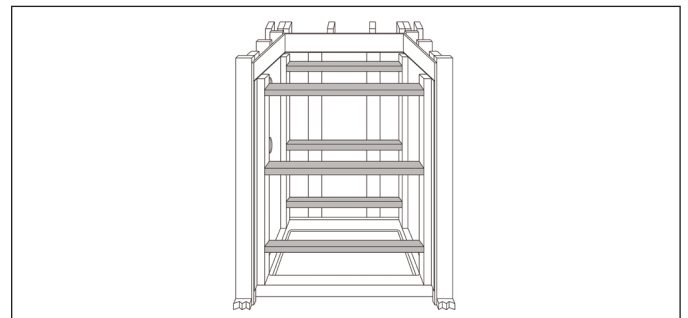
1. Place two or three braces against the back wall. Place two braces on panels that are 48" or less and three braces on panels greater than 48" wide.



2. Place two braces against each left and right wall.



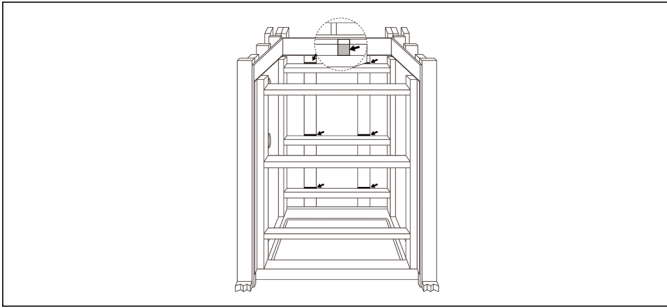
3. Install (wedge) three horizontal braces (six total) against the left and right wall braces.



Installation Procedure

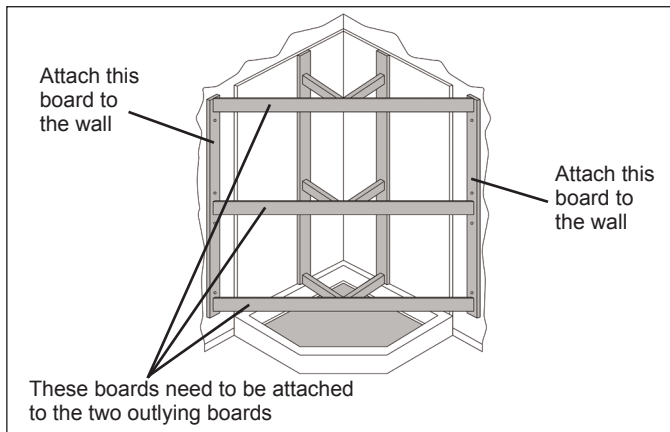
Temporary Bracing *continued*

4. Insert small blocks between the front-to-rear panel braces and the back panel braces. These will apply pressure to the back panel to hold it in place.



For corner shower wall installation use the following illustrated bracing design.

ATTENTION: Additional bracing may be required if the Samuel Mueller panel does not make full contact to the wall it is adhered to.



5. Remove the braces after 24 hours.

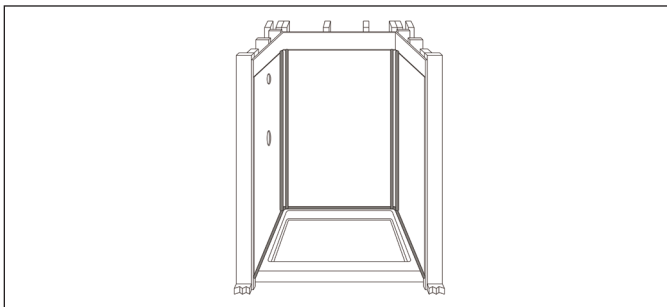
Final Caulking

Apply a bead of 100% silicone sealant.

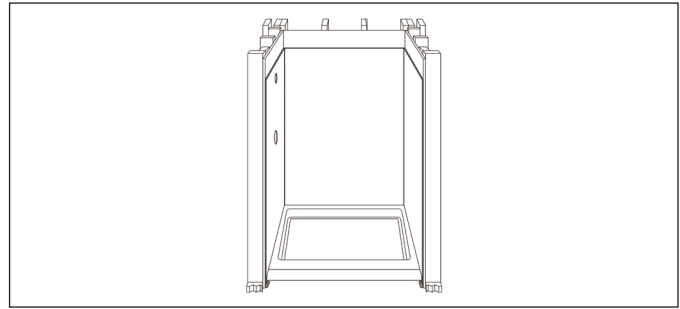
IMPORTANT NOTICE

Follow the manufacturer's instructions on the tube for proper application. Allow at least 24 hours for silicone to set before using the shower enclosure.

1. Apply 100% silicone sealant to all inside seams, as shown.



2. Apply 100% silicone sealant to the exterior edges, as shown. This silicone sealant is non-paintable.



The installation is now complete. **DO NOT** discard these installation instructions. Please leave with the homeowner.

Attaching Showers Doors and Accessories

1. Follow the mounting instructions that come with shower door and each accessory.
2. Drill pilot holes slightly larger than the fasteners, where fasteners pass through the wall panels.
3. If anchors are being used, drill the hole in the panel large enough for the head of the anchor to fit through the panel and the structural wall behind it.
4. Use 100% clear silicone to seal any holes or joints between the accessory and the wall panel.

Care and Cleaning

Aluminum products are stain and abrasion resistant; However, the finish requires reasonable care.

1. **Clean immediately:** stains, especially those containing grease or oil, may adhere to the material if left for a long time.
2. **Do not clean aggressively:** Especially in the case of stains that have become "sedimentary", there is a tendency to use abrasive sponges or aggressive cleaners, which should be avoided completely. Never use abrasive sponges, steel wool, corrosive products, ammonia, bleach, acid and anti-scaling products.
3. **Use a soft cloth:** moisten a soft, lint-free cloth (preferably microfiber or chamois) with lukewarm water to wash the surfaces.
4. **Beware of alcohol:** ethyl alcohol is a very effective but aggressive stain remover. It can only be used diluted in warm water. If not used correctly, alcohol can deteriorate the surface finish leaving streaks.
5. **What to do if stains persist:** if the dirt persists even after cleaning as detailed in the previous points, we recommend a careful and moderate use of diluted alcohol or products such as Glasses multipurpose without ammonia or Vetril. If streaks or marks remain after cleaning the surface, it means that the dirt has not been completely removed, that too aggressive products have been used or that the water has an excess of scale (hard water). In this case, it is recommended to clean the surface again carefully and dry it immediately, making sure that the microfiber cloth does not contain traces of cleaner.
6. **Rinse and dry:** a recommendation is to always rinse all surfaces thoroughly and dry them immediately, always using a microfiber cloth or chamois. It is not advisable to let them air dry.

Caulking Joints

Inspect caulking joints monthly for damage or any signs of separation from the mating surface. Cracks in the caulking will allow water to leak into the surrounding surfaces. **Reapply caulking to any joint showing signs of wear or cracking.** Failure to inspect and repair caulking joints will void the warranty.