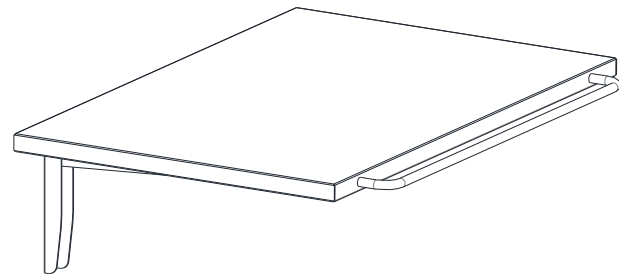


# Use and Care Manual



Folding Shelf

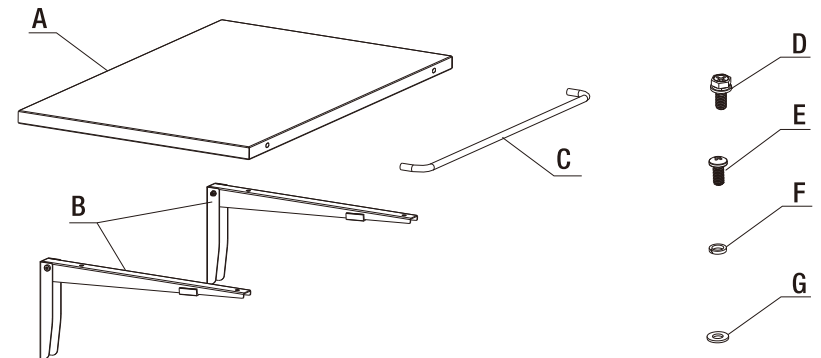
**Note:**

The folding shelf is reversible for left or right hand installation. This manual will show the right hand. For a left hand door installation, simply begin on the opposite and reverse the orientation of parts as necessary.

## TABLE OF CONTENT

TABLE OF CONTENT ..... 2  
 PACKAGE CONTENT ..... 2  
 TOOLS REQUIRED ..... 3  
 INSTALLATION STEPS ..... 3

## PACKAGE CONTENT

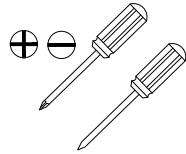


A	1 PC	B	2 PC	C	1 PC	D	8 PC
							M6 x 15
E	2 PC	F	2 PC	G	2 PC		
	M5 x 10						

## TOOLS REQUIRED (Not Supplied)



Level



Screwdriver



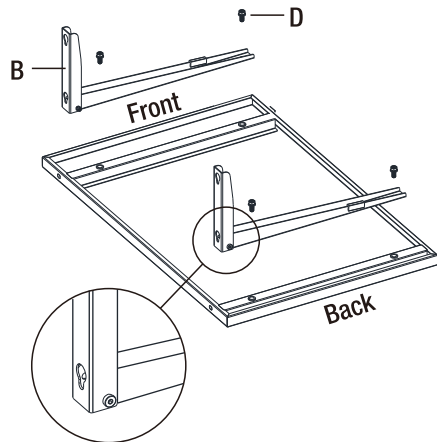
Safety gloves



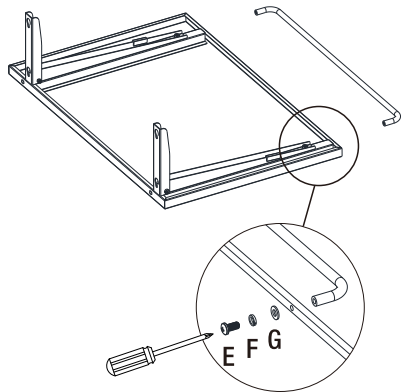
Safety glasses

## INSTALLATION STEPS

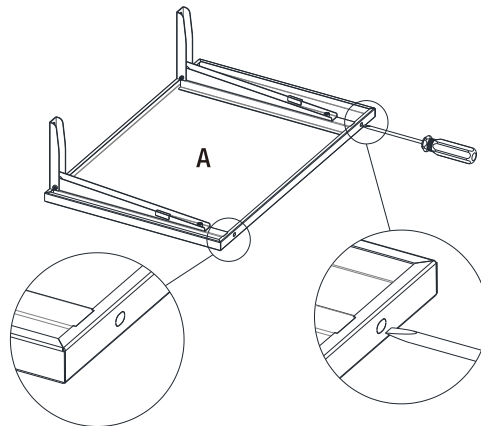
1. Select your chosen location and install the support(B) on the shelf(A) by screw(D).



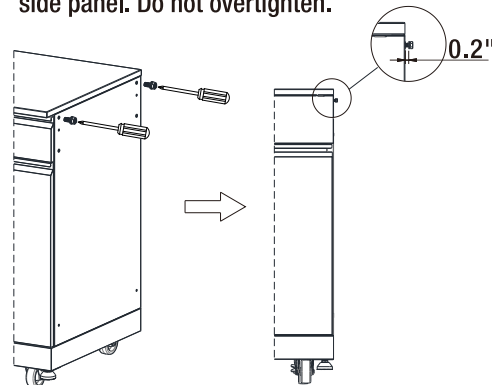
3. Install the handle(C) on the shelf(A).



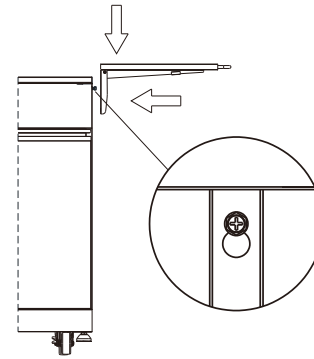
2. Pry the hole open with a screwdriver.



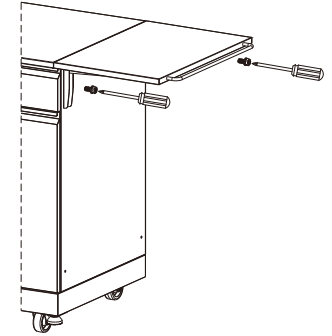
4. Gently install the screw(D) on cabinet right side panel. Do not overtighten.



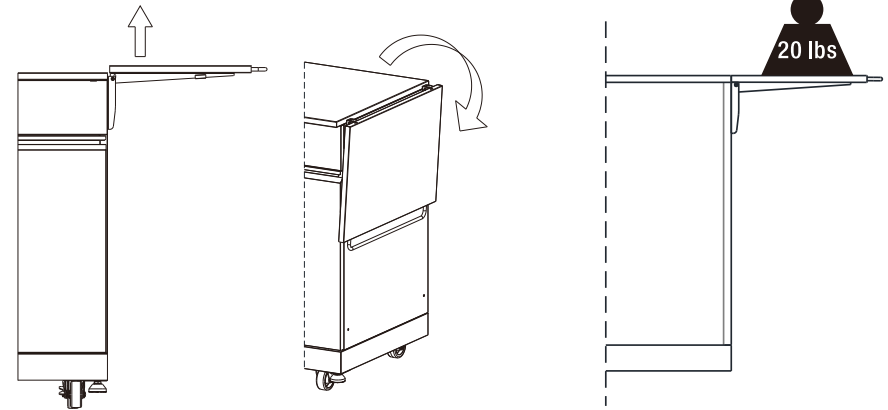
5. Hang the shelf on the cabinet and tighten the screw (D).



6. Install the screw(D) on cabinet right side panel.



7. Fold the shelf board when needed.



**NOTICE:** Do not over loaded when using!