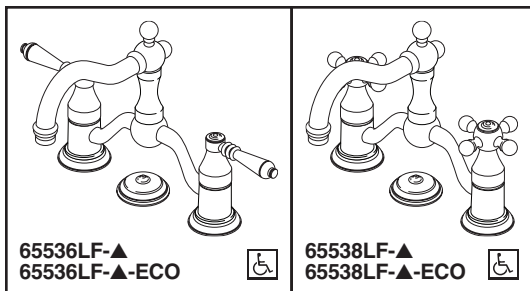


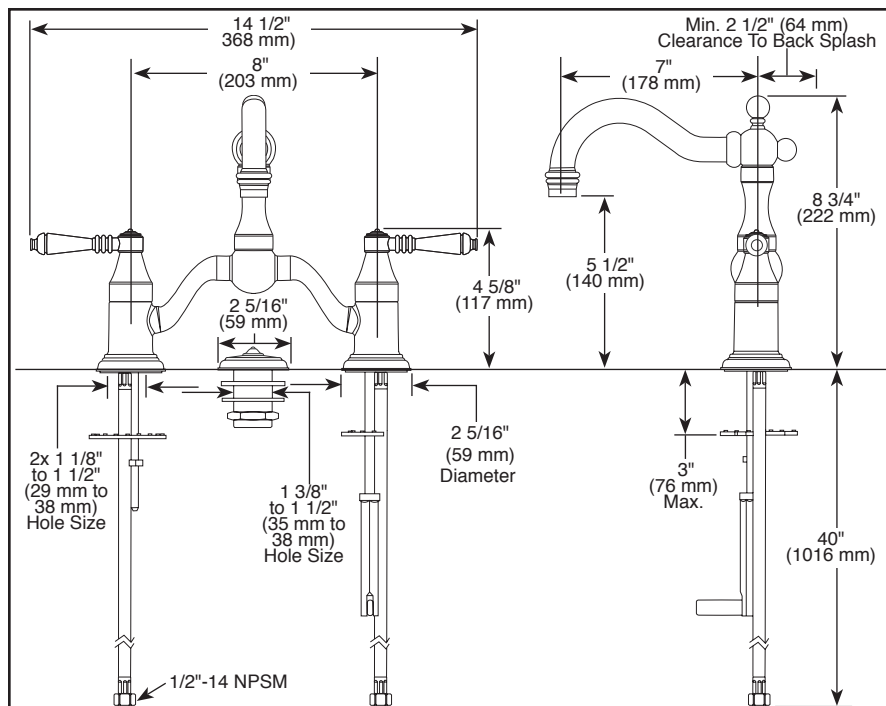
# BRIZO®

## LAVATORY FAUCET

- Tresa® Collection
- Two Handle Widespread Bridge



Submitted Model No.: \_\_\_\_\_  
 Specific Features: \_\_\_\_\_



### STANDARD SPECIFICATIONS:

- Max. 1.50 GPM @ 60 psi, 5.70 L/min @ 414 kPa
- Max. (ECO models only) 1.20 gpm @ 60 psi, 4.54 L/min @ 414 kPa
- Two or three hole mount
- Ceramic cartridge
- Hot and cold stems are interchangeable
- 1/4 turn handle stops
- Solid brass with one-piece cast brass waterway
- Third hole cover included
- Drain sold separately

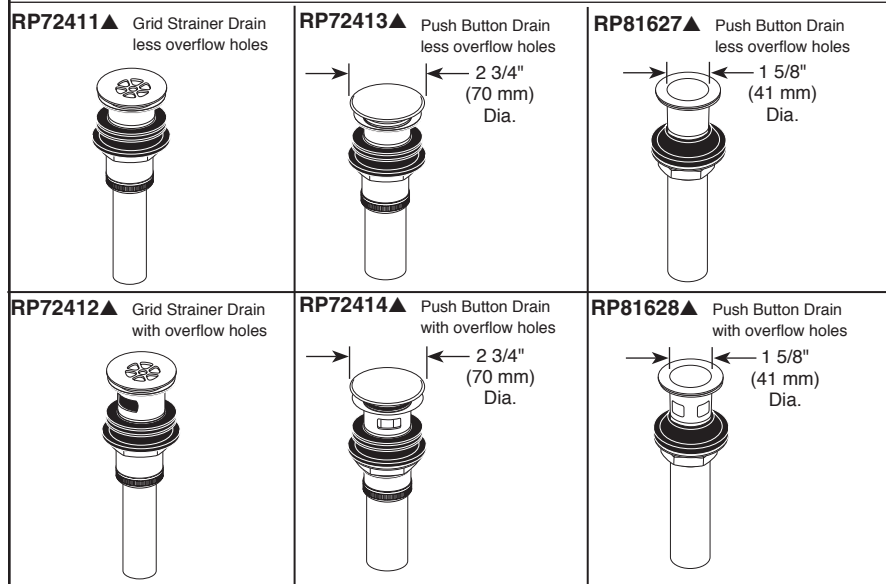
### WARRANTY:

- Lifetime limited warranty on parts (other than electronic parts and batteries) and finishes: or, for commercial users, for 5 years from date of purchase.
- 5 year limited warranty on electronic parts (other than batteries); or, for commercial users, for 1 year from the date of purchase. No warranty is provided on batteries.



### COMPLIES WITH:

- ASME A112.18.1 / CSA B125.1
- ASME A112.18.2 / CSA B125.2
- Indicates compliance to ICC/ANSI A117.1
- EPA WaterSense®
- Verified compliant with 0.25% weighted average Pb content regulations



▲ Designate proper finish suffix