

Features

- KOHLER® cast iron.
- Above-counter.
- Distinctive curved shape.
- Without overflow.
- No faucet holes; requires wall- or counter-mount faucet.
- Black iron underside.
- 17-1/2" (445 mm) x 17-1/2" (445 mm)

Recommended Accessories

- K-9018 P-Trap
- K-7114 Pop-Up Drain

Optional Accessories

- K-9655 Wall-mount Bracket



ADA

Codes/Standards









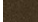
ASME A112.19.1/CSA B45.2
ADA
ICC/ANSI A117.1

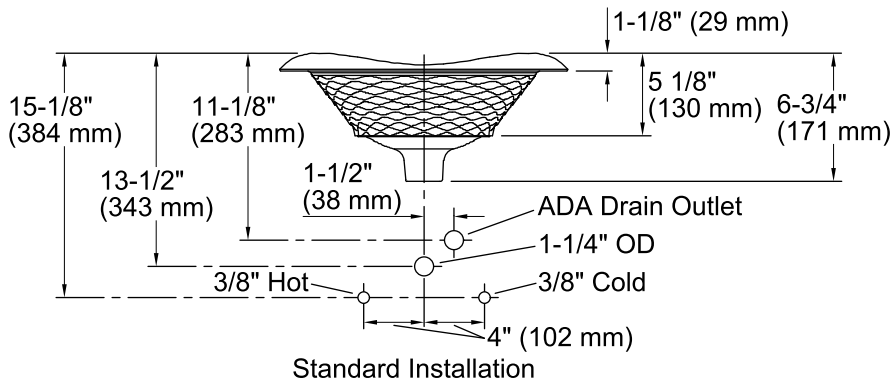
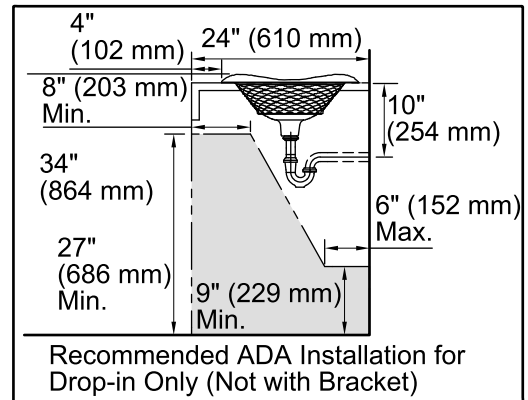
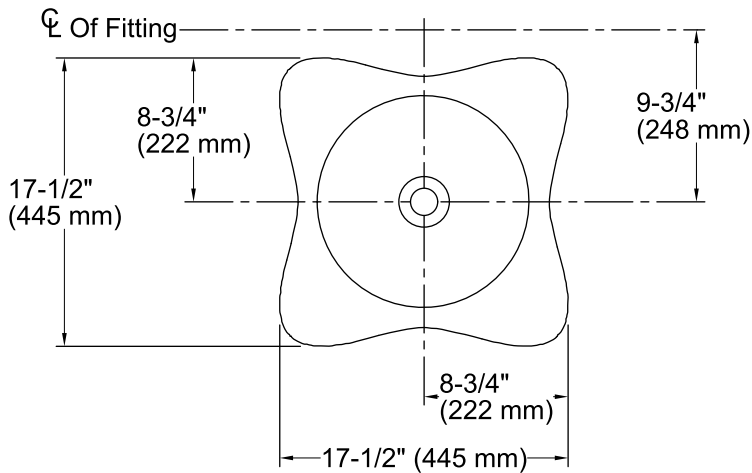
KOHLER® Lifetime Limited Warranty for Cast Iron Components

See website for detailed warranty information.

Available Color/Finishes

Color tiles intended for reference only.

Color	Code	Description
	0	White
	FF	Sea Salt™
	96	Biscuit
	47	Almond
	FD	Cane Sugar™
	KC	Vapour™ Blue
	KG	Vapour™ Green
	FT	Basalt
	KA	Black 'n Tan



Technical Information

All product dimensions are nominal.

Bowl configuration: Single

Installation: Above-counter

Bowl area (Only) Diameter: 13" (330 mm)
Water depth: 4-3/4" (121 mm)

Drain hole: 1-3/4" (44 mm)

Template: 87996-7, required, included

Notes

Install this product according to the installation instructions.

Product does not have an overflow.

ADA compliant when installed to the specific requirements of these regulations.