

**Features**

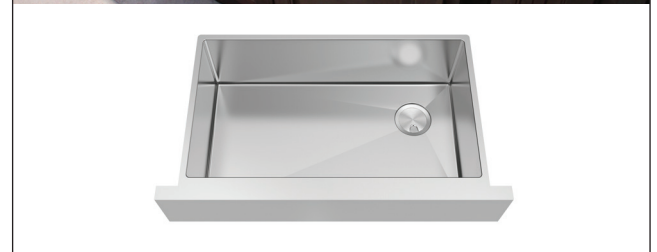
- 35<sup>7</sup>/<sub>8</sub>" (911) x 20<sup>1</sup>/<sub>4</sub>" (514) x 10" (254) undermount kitchen sink.
- Sized to fit standard cabinet front.
- Super single compartment that is the size of a double bowl sink.
- Farmhouse style with a wrap around 6<sup>5</sup>/<sub>8</sub>" (168) high apron front.
- Handcrafted from 16 gauge 304 stainless steel. Channel grooves in sink bottom direct water to drain.
- Premium brush finish.
- Includes a stainless steel bottom sink grid and stainless covered flip-top sink strainer.
- 3/8" (10mm) radius corners.
- 5mm sound deadening pads.
- Fits 36" (914) base cabinet width.

**Components**

- Product includes:
- TSGD36201 Bottom Sink Grid
  - 2210R Covered Sink Strainer
  - Cutout Template
  - Installation Hardware
  - Installation Instructions

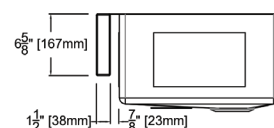
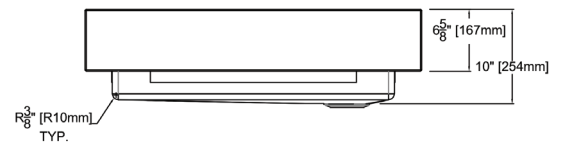
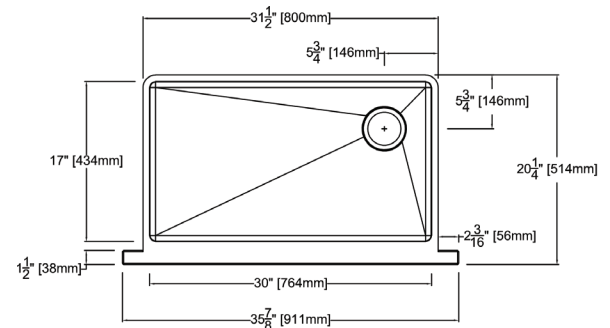
**Warranty**

- Lifetime Limited Warranty



**Specified Model**

Model	EHU014-36
Overall Dimensions	L35 <sup>7</sup> / <sub>8</sub> " x W20 <sup>1</sup> / <sub>4</sub> " x D10" 911 x 514 x 254
Bowl Dimensions	L30" x W17" x D10" 764 x 434 x 254
Drain hole:	3 <sup>5</sup> / <sub>8</sub> " (92mm)
Shipping Weight	50 lbs.
Material	16 gauge 304 stainless steel
Installation	under counter mounted
Required	template, included



**Codes/Standards**

ASME A112.19.3/CSA B45.4

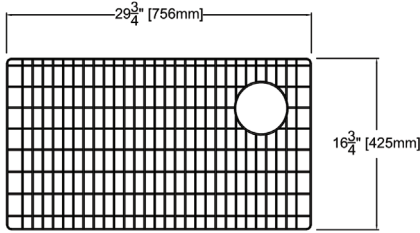
**Notes**

Install this product according to the installation instructions.

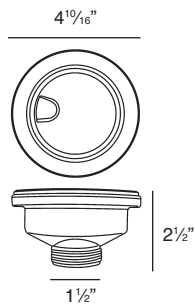
**Components**

Product includes:

TSGD36201 Bottom Sink Grid Set



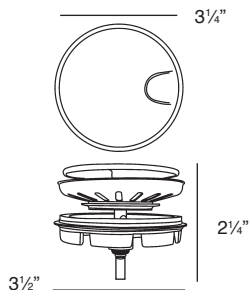
2210R Covered Flip Top Sink Strainer.



Water drains easily when cover is in place. Cover flips up with easy touch. Polypropylene housing. Fits standard 3<sup>1</sup>/<sub>2</sub>" opening.

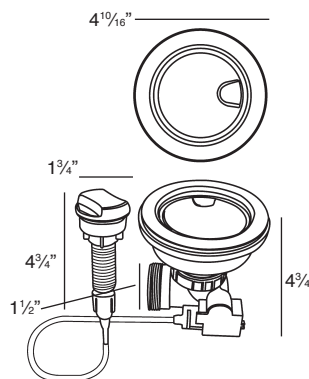
**Optional Accessories**

4010 Covered Flip Top Disposer Strainer.



Water drains easily when cover is in place. Cover flips up with easy touch. Polypropylene housing. Top mount installation for 3<sup>1</sup>/<sub>2</sub>" opening.

2310 Remote Covered Flip Top Sink Strainer.



Turn the remote knob to open and close drain. Water drains easily when cover is in place. Cover flips up with easy touch. Polypropylene housing. Fits standard 3<sup>1</sup>/<sub>2</sub>" opening. 1<sup>3</sup>/<sub>8</sub>" hole required in countertop for remote installation. Remote cable 25<sup>1</sup>/<sub>2</sub>" L.