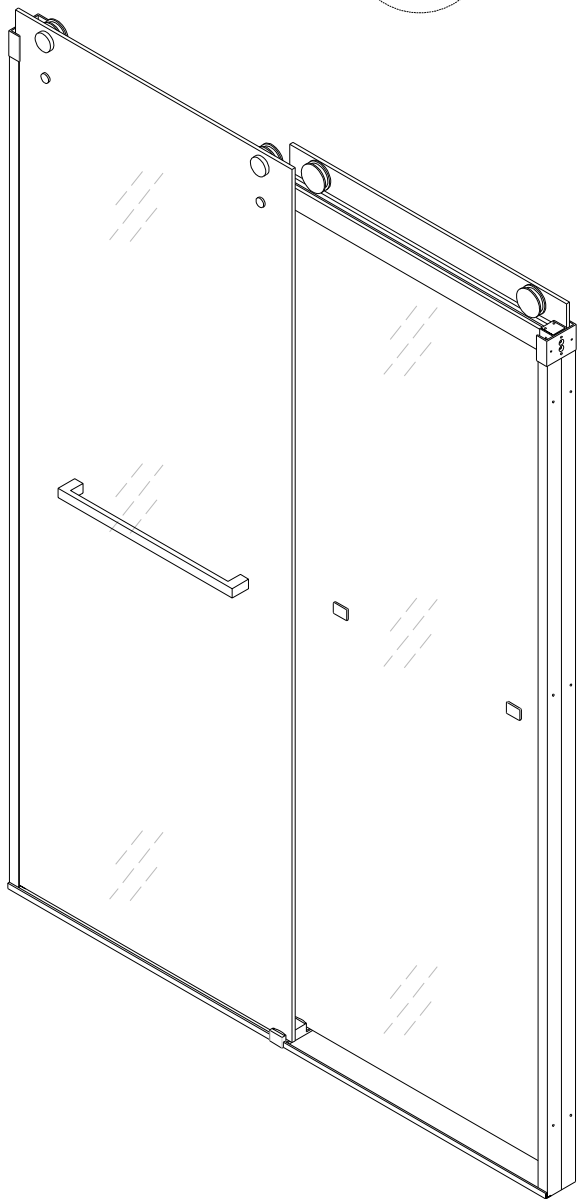


BYPT608010

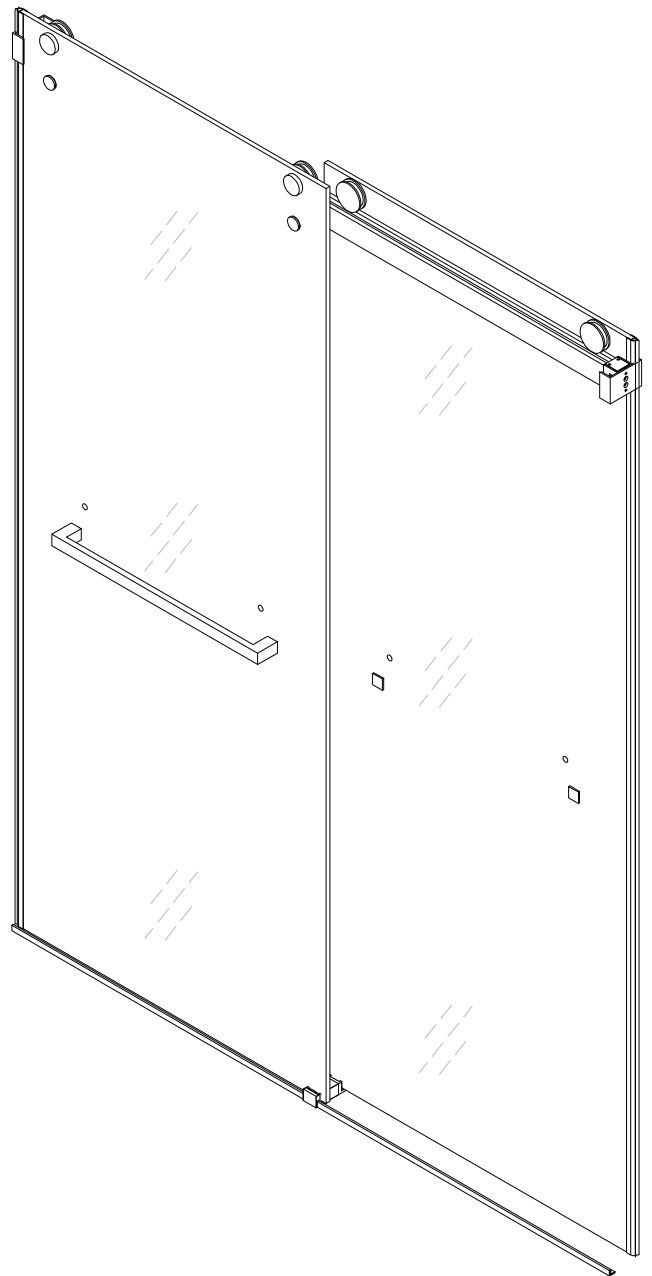
By-pass Shower Door

Installation Instruction

A



B



Preparation

1. After opening all boxes and packages, read this instruction carefully. Check that all of the needed parts are included in the package by marking all the components on the "detailed Diagram of Shower Door Components". Examine boxes and packages for shipping damage. If the unit has been damaged, has a finishing defect, or is missing parts, please contact our customer support department within 3 business days of the delivery date.
2. If this unit is going to be installed in a new construction, install all of the required plumbing and drainage before installing the shower door. Use a competent and licensed (if required by local code) plumber for all plumbing installation.
3. Make sure that prior to beginning the installation, the surfaces are leveled and solid and will be able to support the total weight of the unit. Also make sure the walls are at right angles. Irregular installation surface level, radius corners or improper angle of side walls can result in serious problems for your installation. Please note that some adjustments and drilling might be necessary during the installation process.
4. Protect all primary surfaces of the product during installation. Never set your glass down directly onto a tile floor. Leave corner protectors in place until necessary to remove them. Always use a piece of wood or cardboard to protect the bottom edge and corners of the glass prior to and during installation.
5. This unit must be installed upon a finished threshold and against finished walls.
6. NOTE! This door does not have out-of-plumb adjustment without wall jams (Type B). Make sure your walls are at right, if you chose Type B installation.
7. angles. . This door requires a minimum 3-17/64" of flat threshold space for installation.
8. Note: The installation of this unit requires that you drill down into the threshold.

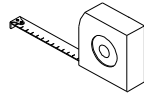


Attention:This door is extremely heavy and requires professional installation. Two installers recommended.

Tools



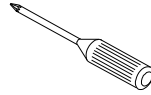
Level



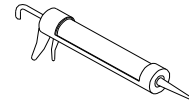
Tape Measure



Pencil



Phillips Screwdriver



Silicone



Power Drill



Drillbit
($\text{Ø}=1/8''$)
(3mm)



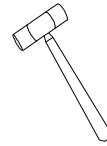
Drillbit
($\text{Ø}=1/4''$)
(6mm)



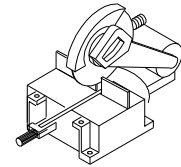
Drillbit
($\text{Ø}=5/16''$)
(8mm)



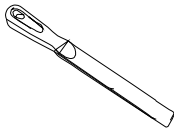
Drillbit
($\text{Ø}=3/8''$)
(10mm)



Hammer



Chop saw



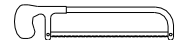
Metal File



3mm
Hexagon wrench



5mm
Hexagon wrench



Hacksaw

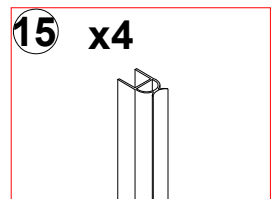
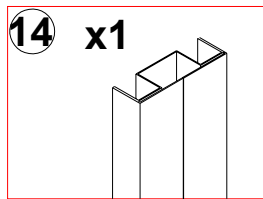
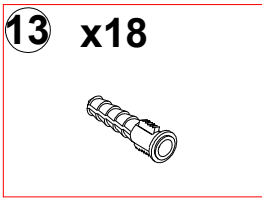
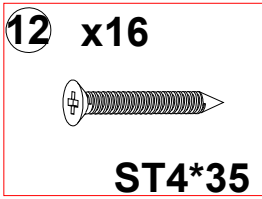
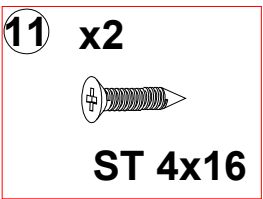
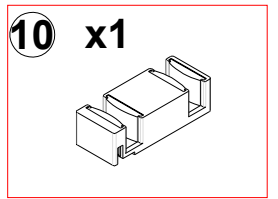
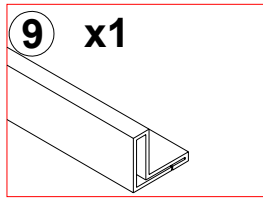
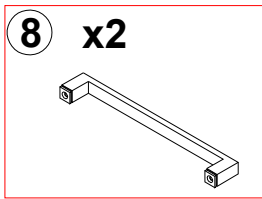
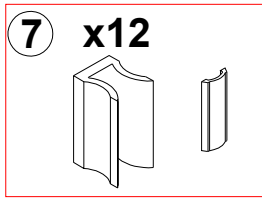
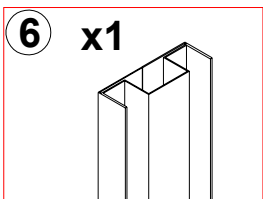
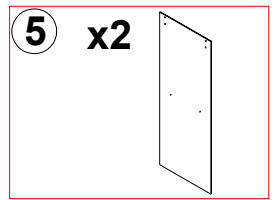
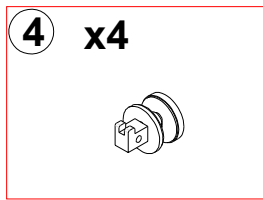
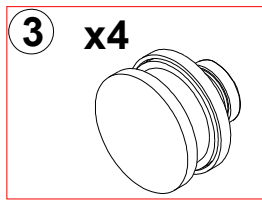
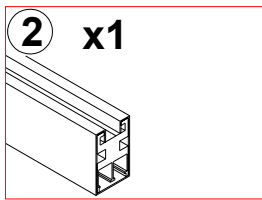
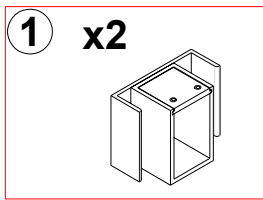
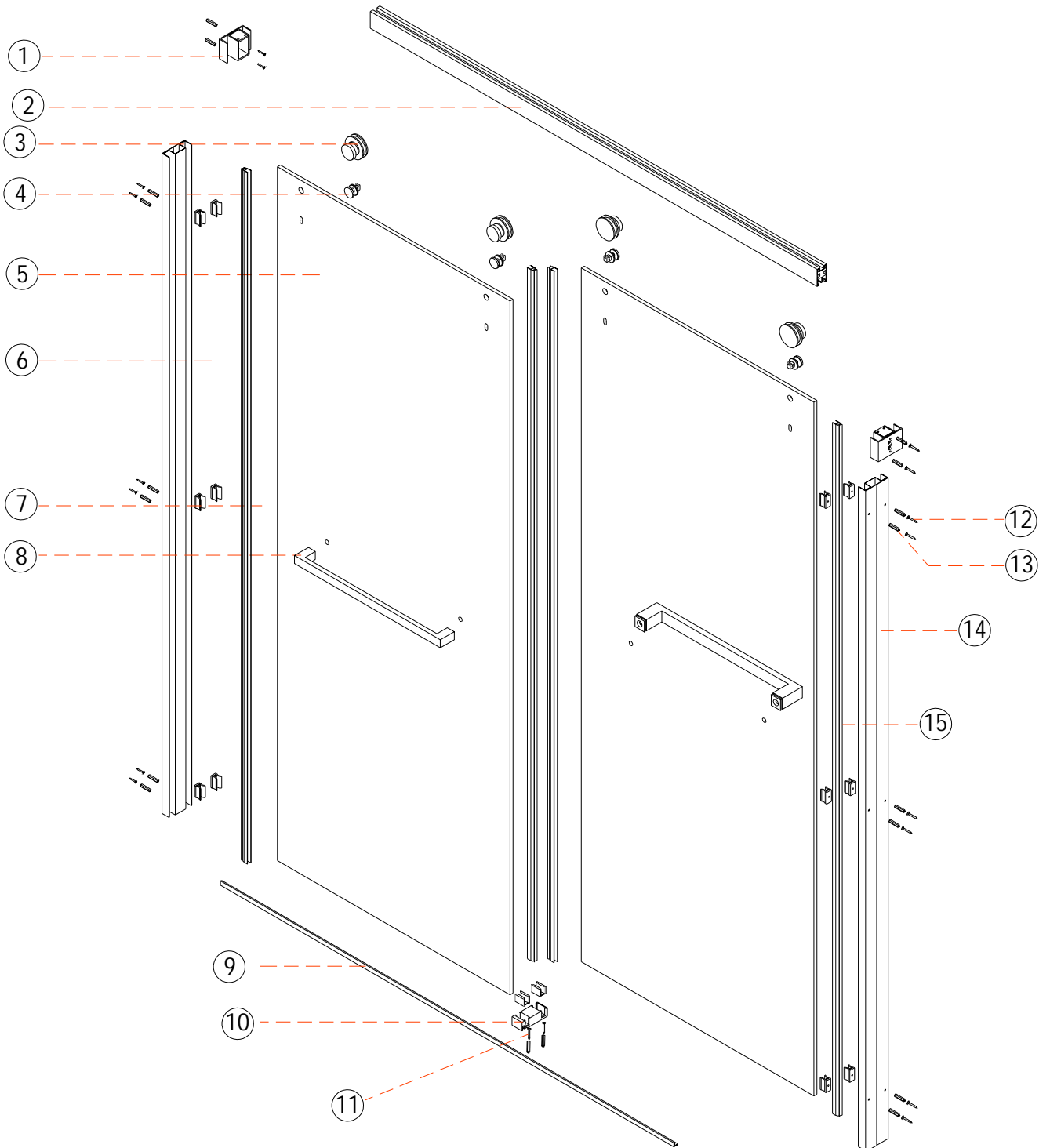
Tip: Measure the finished opening before proceeding with the installation to be sure that the correct model size has been ordered.

Be sure to cover the shower drain to prevent losing small parts.

NOTE: Unpack your unit carefully and inspect it. Lay it out and identify all parts using the detailed diagram and packing list in this manual as a reference. Before discarding the carton, check for small hardware bags that may have fallen to the bottom of the box.

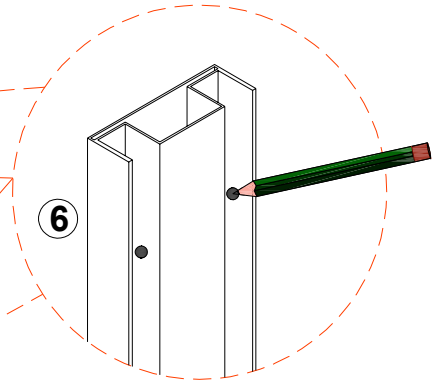
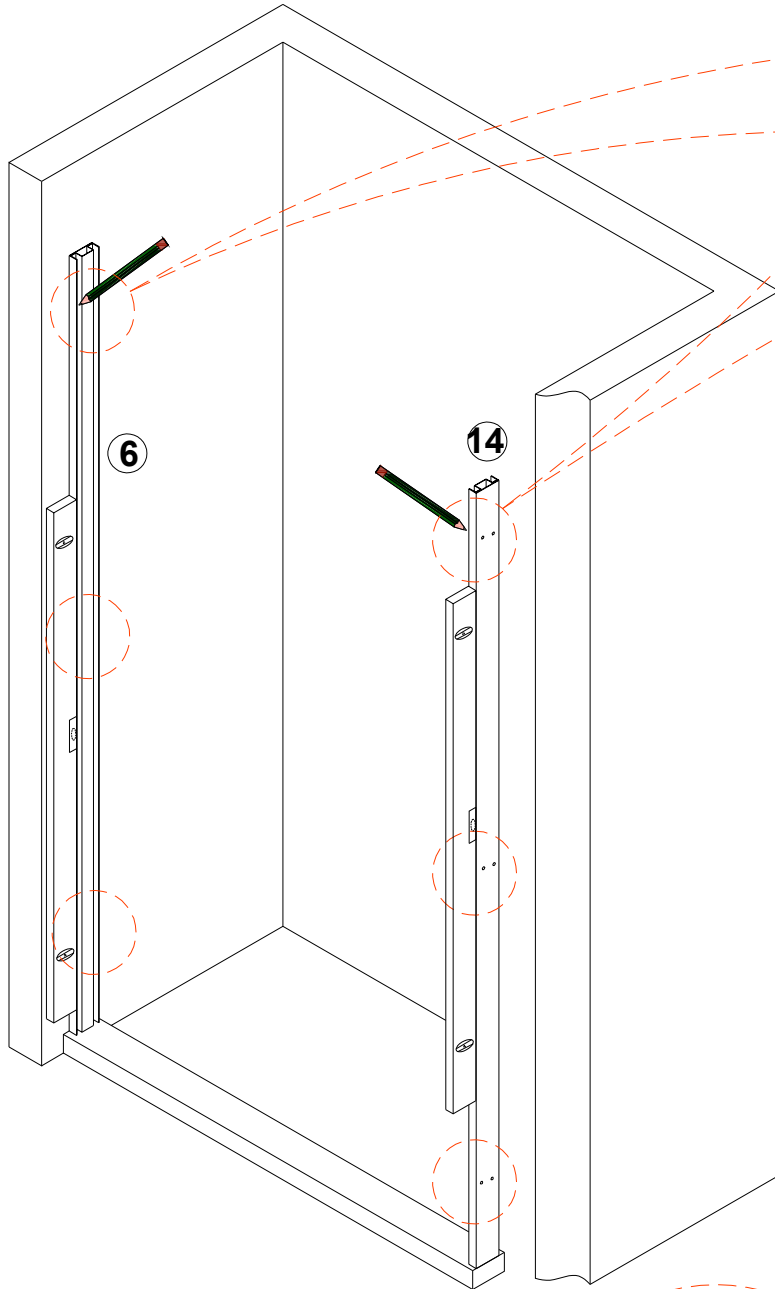
NOTE: Retain these installation instructions for future reference.

A

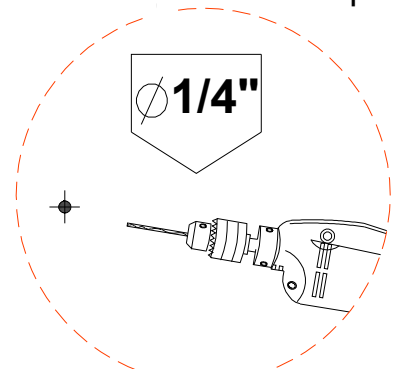


A

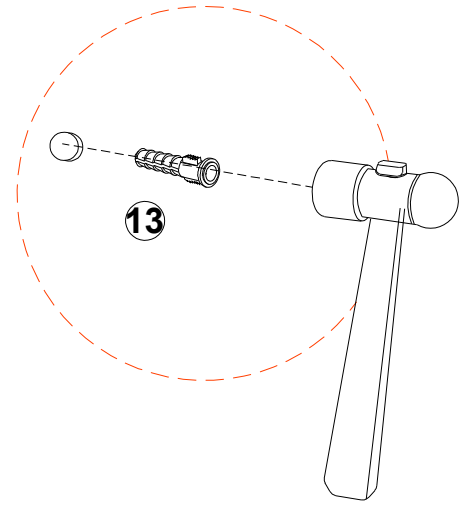
Place wall profile **6** and **14** on the installation position, measure the level and mark the hole position with a pen



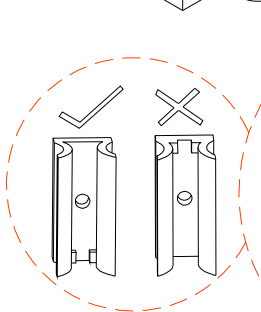
Use the $\text{Ø}1/4''$ drill bit to make holes in the drawn hole position



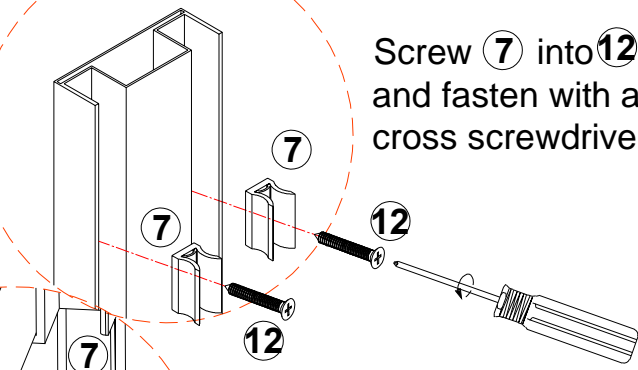
Punch **13** into the hole



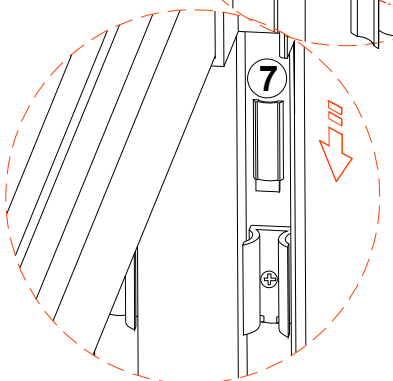
Note the direction of the rubber part **7** down is correct, up is wrong



Screw **7** into **12** screw and fasten with a cross screwdriver

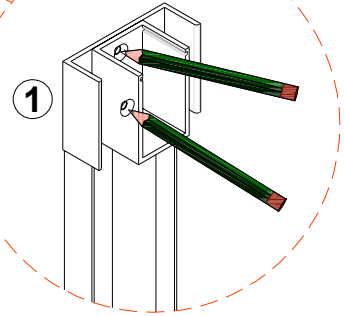
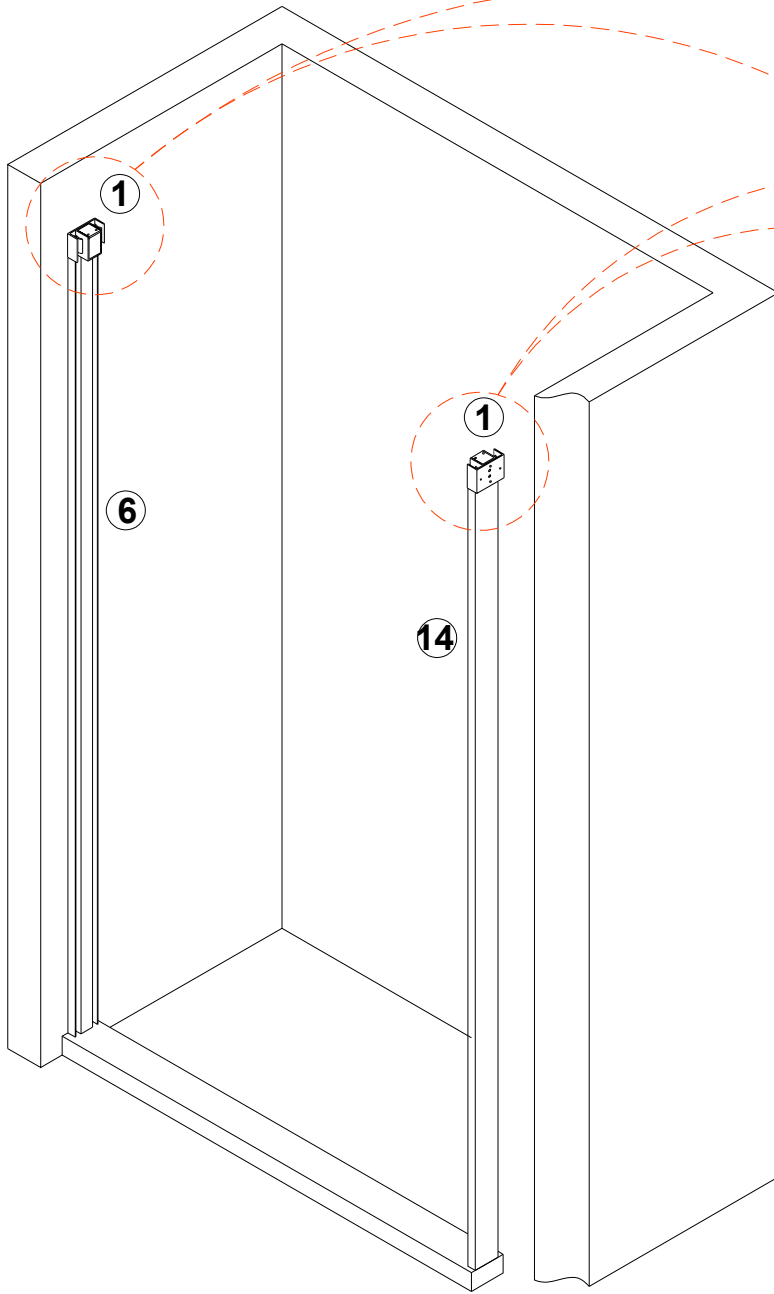


Insert strip cover **7** into plastic piece **7**

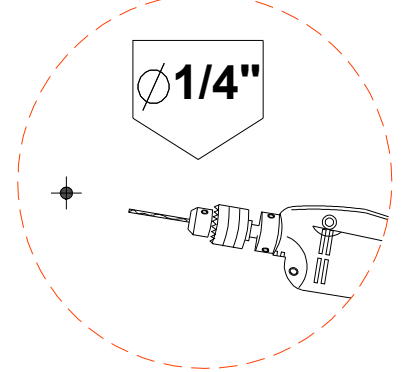


A

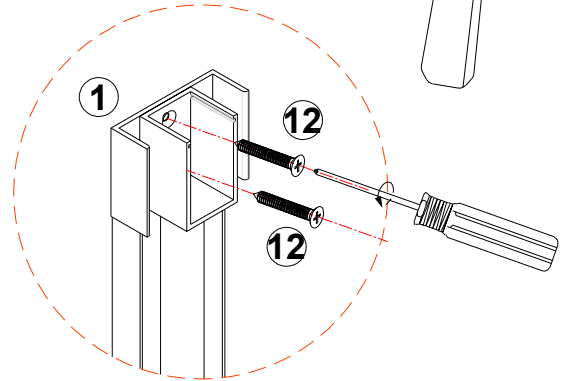
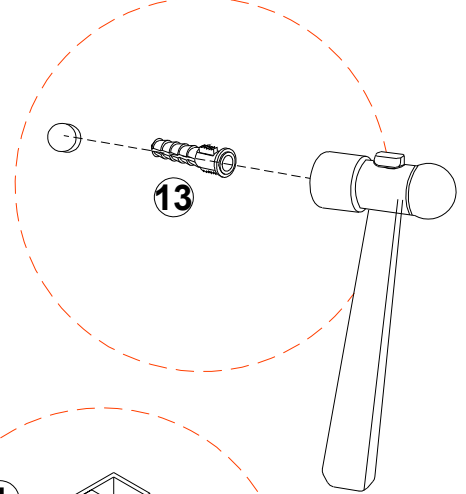
Place wall profile **6** and **14** on the installation position, measure level and mark the hole position with a pen



Use the $\text{Ø}1/4''$ drill bit to make holes in the drawn hole position



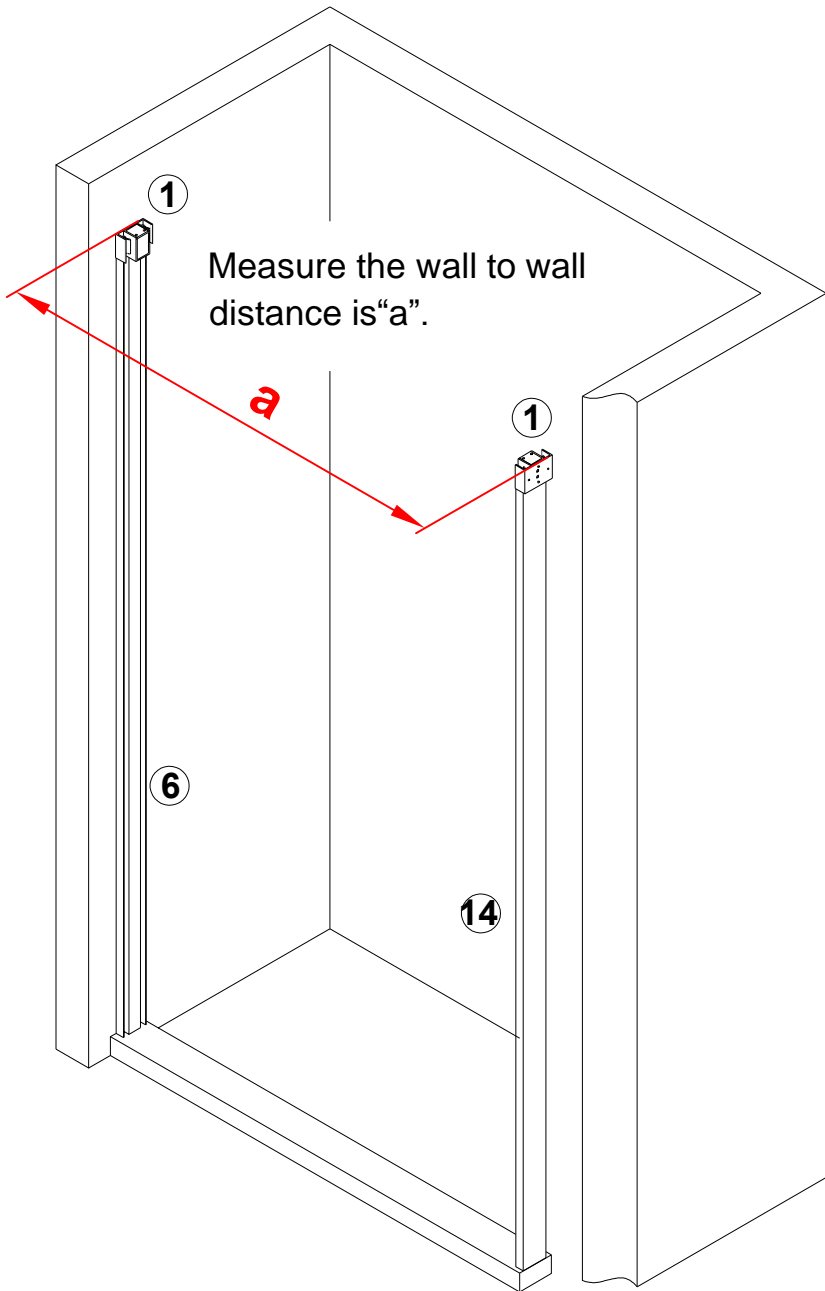
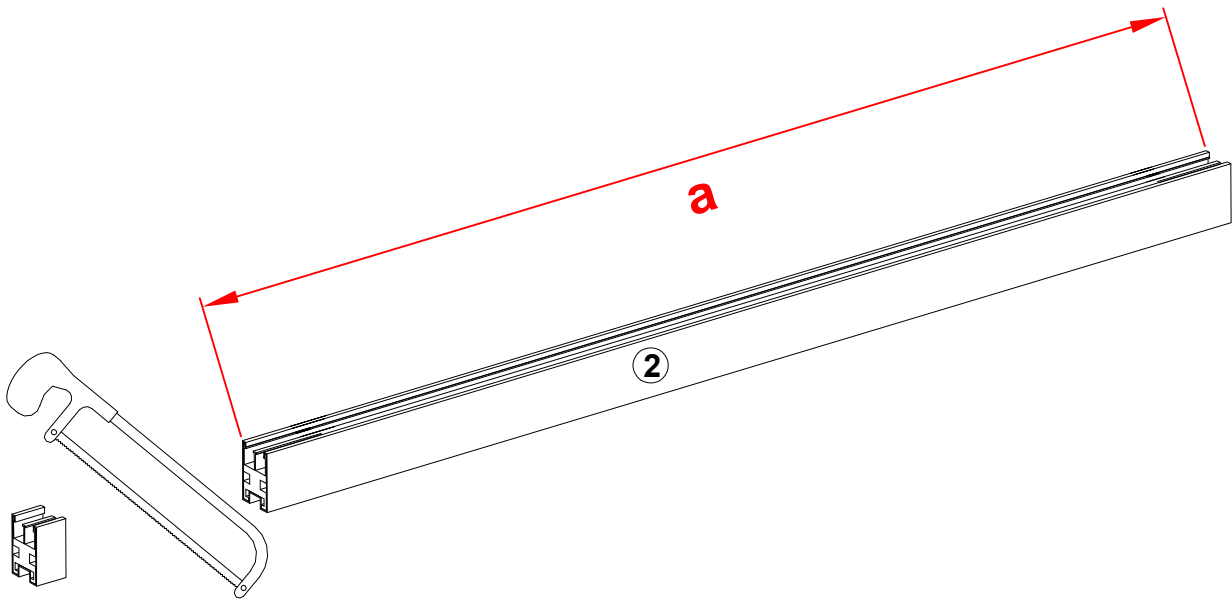
Punch **13** into the hole



Secure the **1** with screw **12**

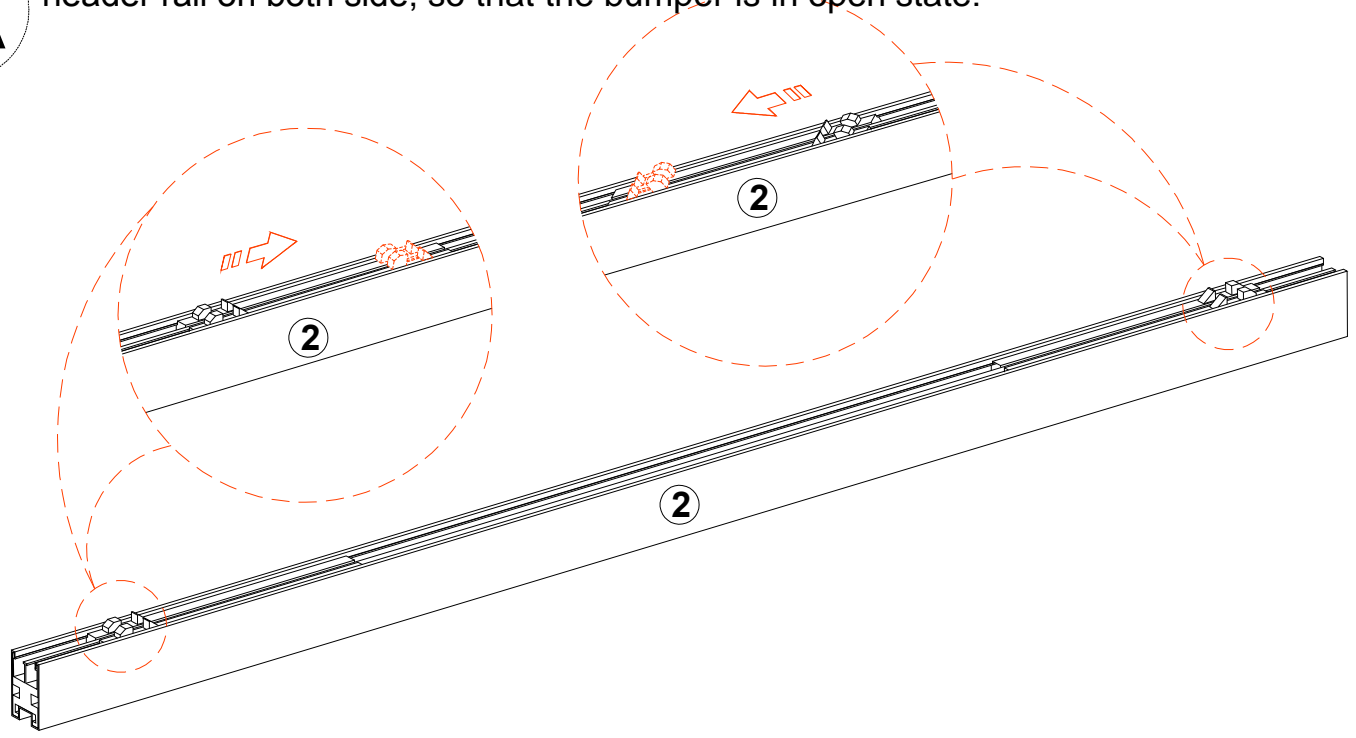
A

The header rail (2) may need to be cut to fit your opening (a) minus 1/4" for header bracket thickness.

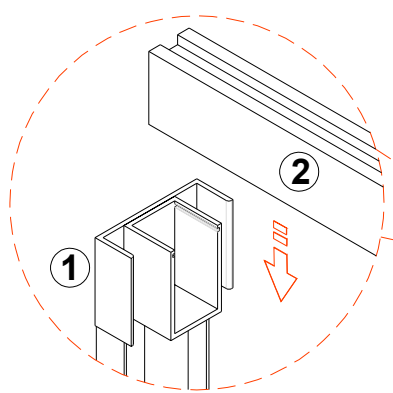


A

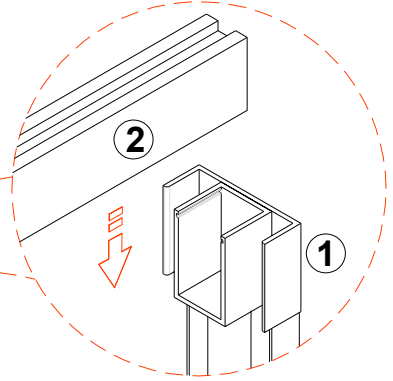
Push the buckle of the bumpers in header rail ② toward to the center of the header rail on both side, so that the bumper is in open state.



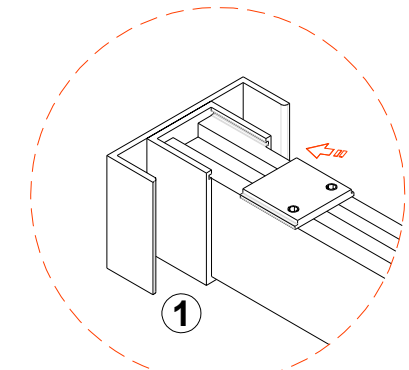
Insert the header bar ② into ①



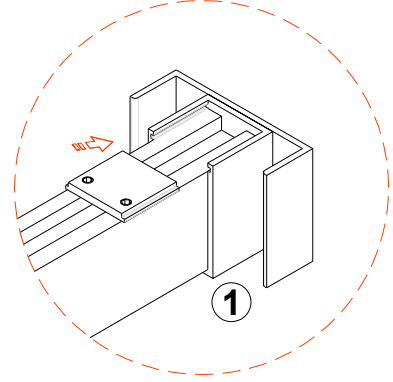
Push the cover inside ①



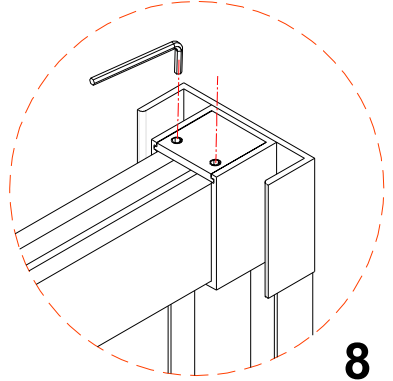
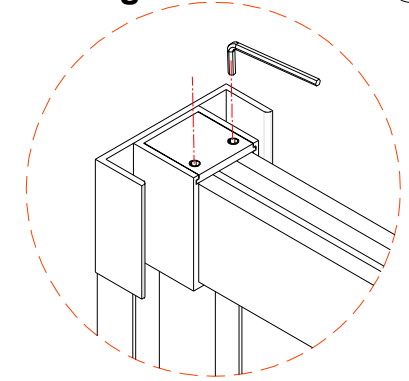
Push the cover inside ①



Lock tight the cover of ①

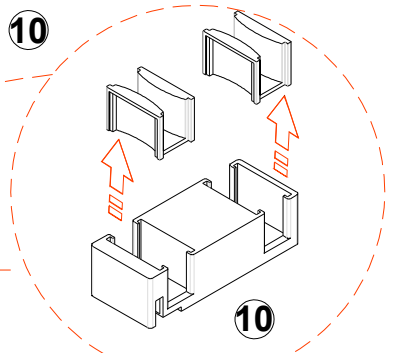


Lock tight the cover of ①

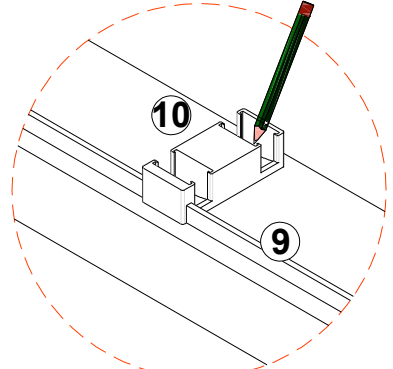


A

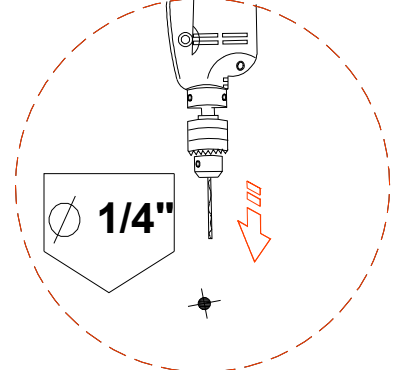
Remove the plastic part of guide of ⑩



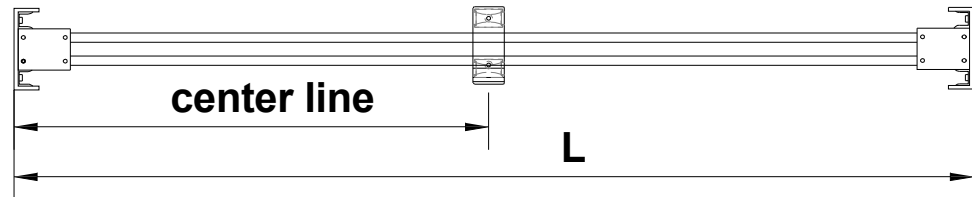
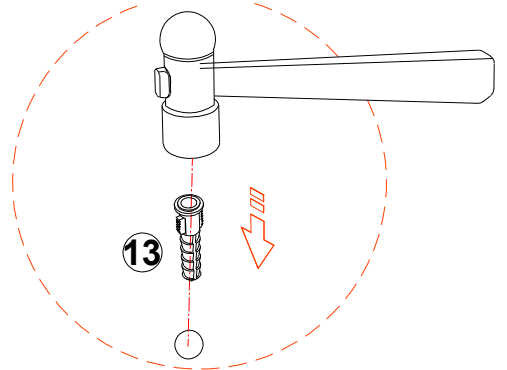
Draw the hole position of the ⑩



Use the $\varnothing 1/4"$ drill bit to make holes in the drawn hole position

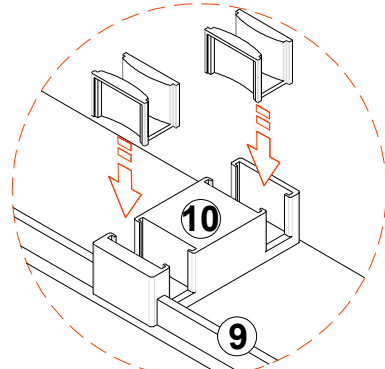


Tap ⑬ into the hole

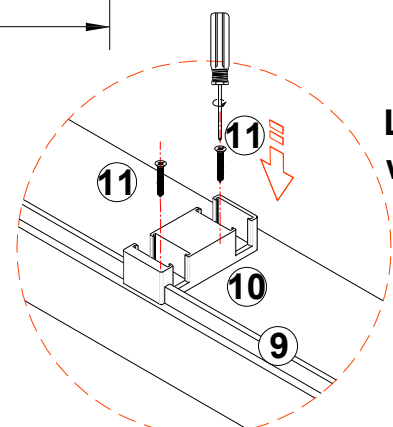


Place ⑨ stainless steel water proof bar and ⑩ guide piece at the bottom of ⑥ and ⑭ so that the center of the guide piece is in center line position

Install the plastic inserts

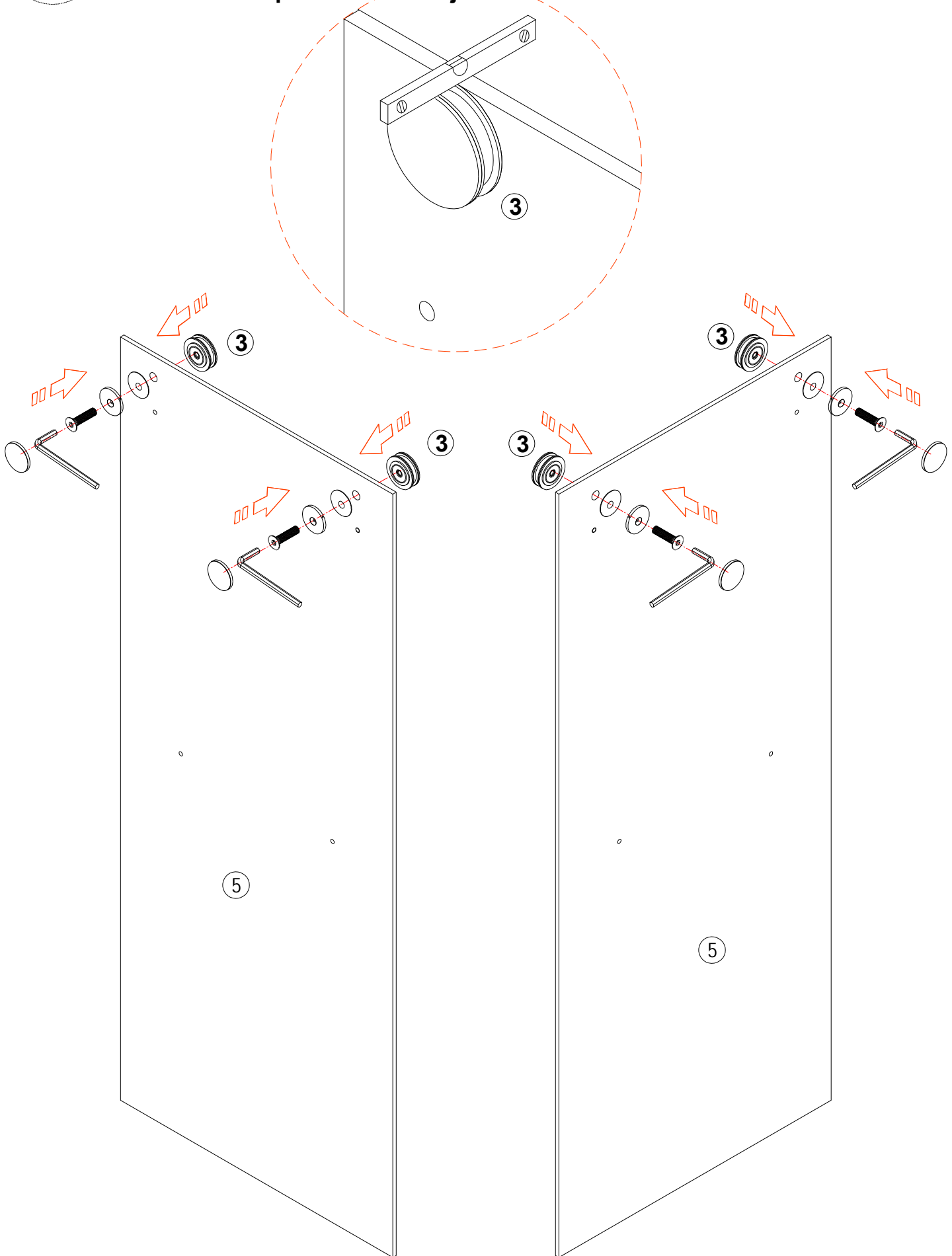


Lock tight ⑩ with screw ⑪

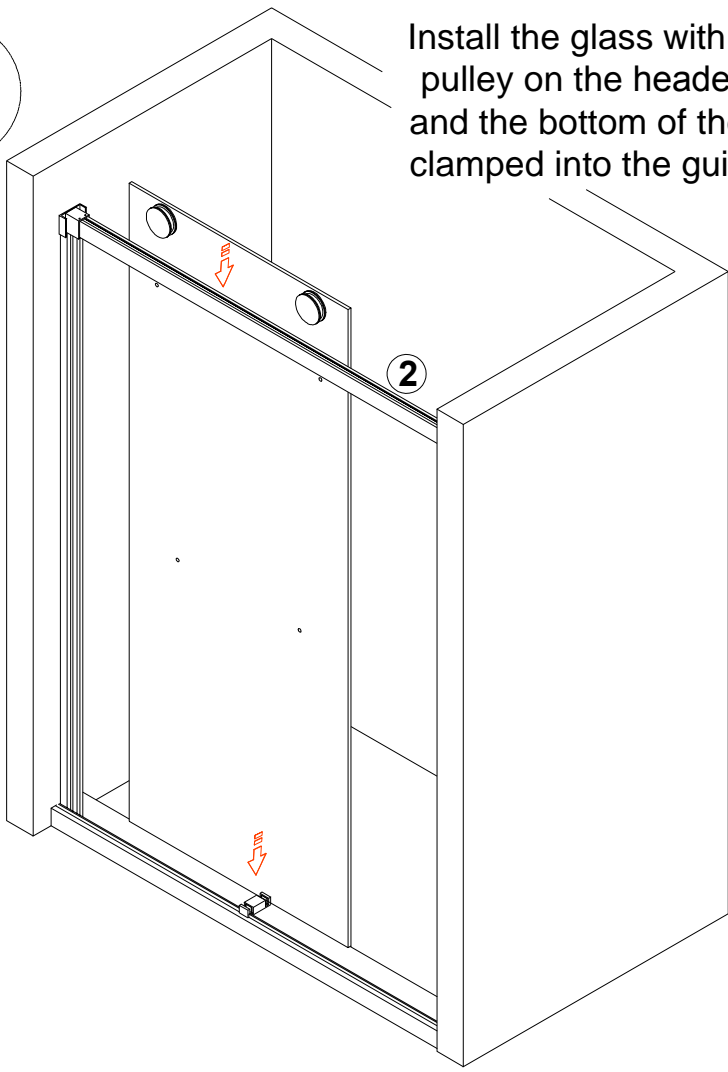


A

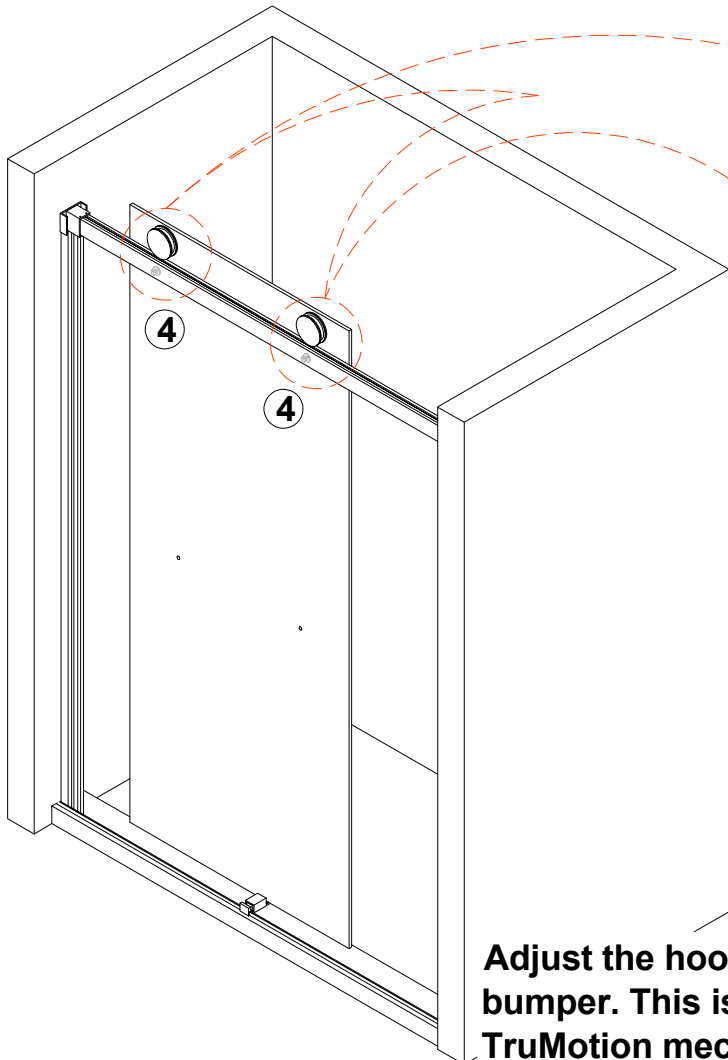
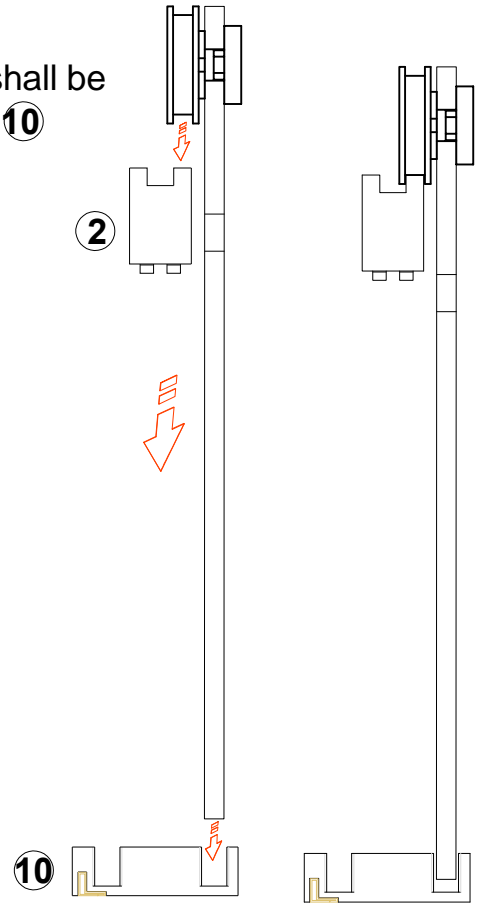
Install pulley ③ on glass ⑤ so that the edge of pulley ③ pulley is horizontal with the edge of glass ⑤.
Leave the cap off for later adjustment.



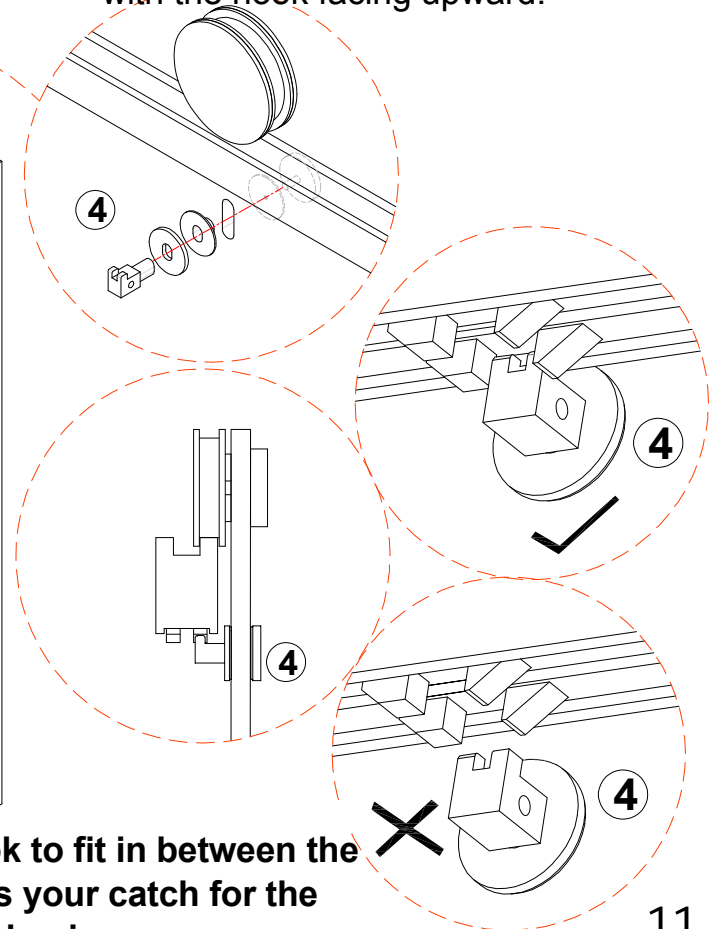
A



Install the glass with the pulley on the header rail **2** and the bottom of the glass shall be clamped into the guide piece **10**



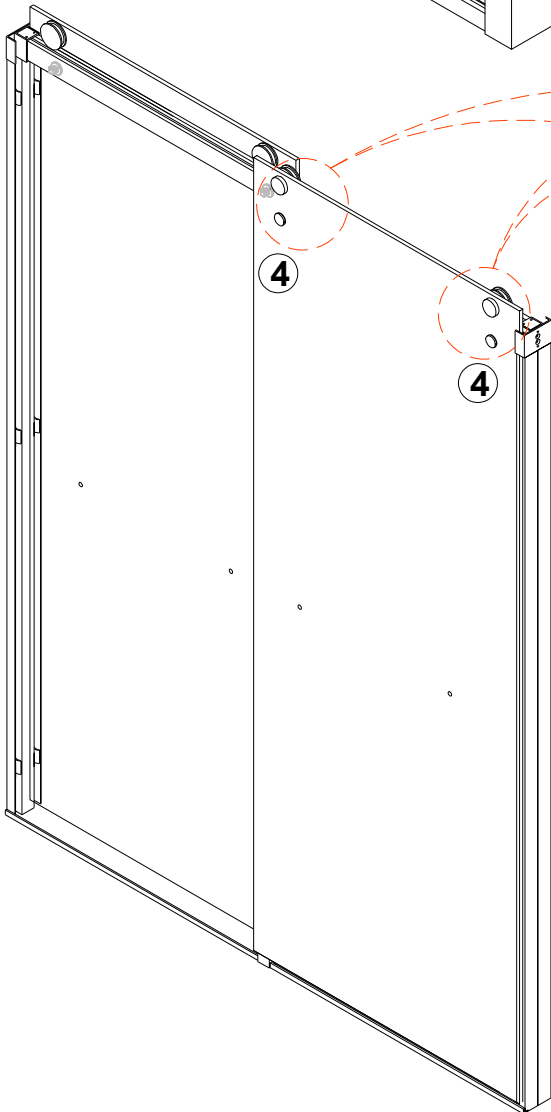
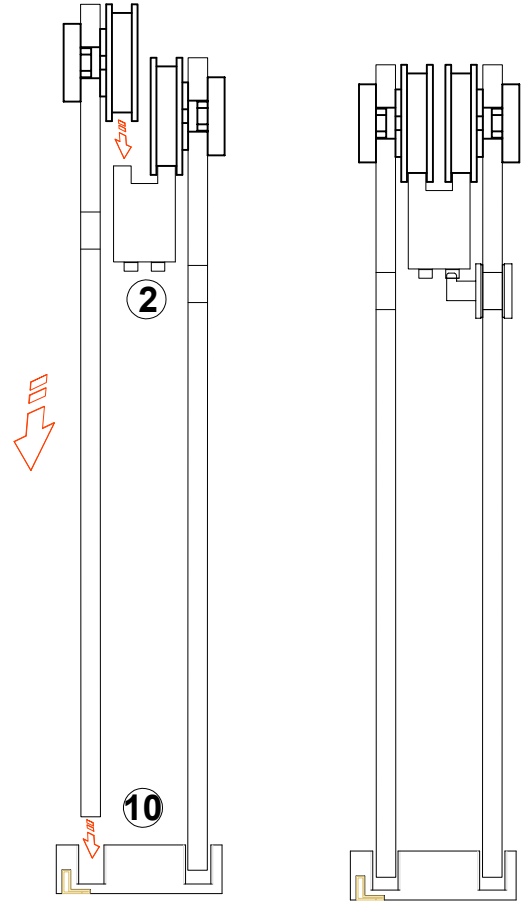
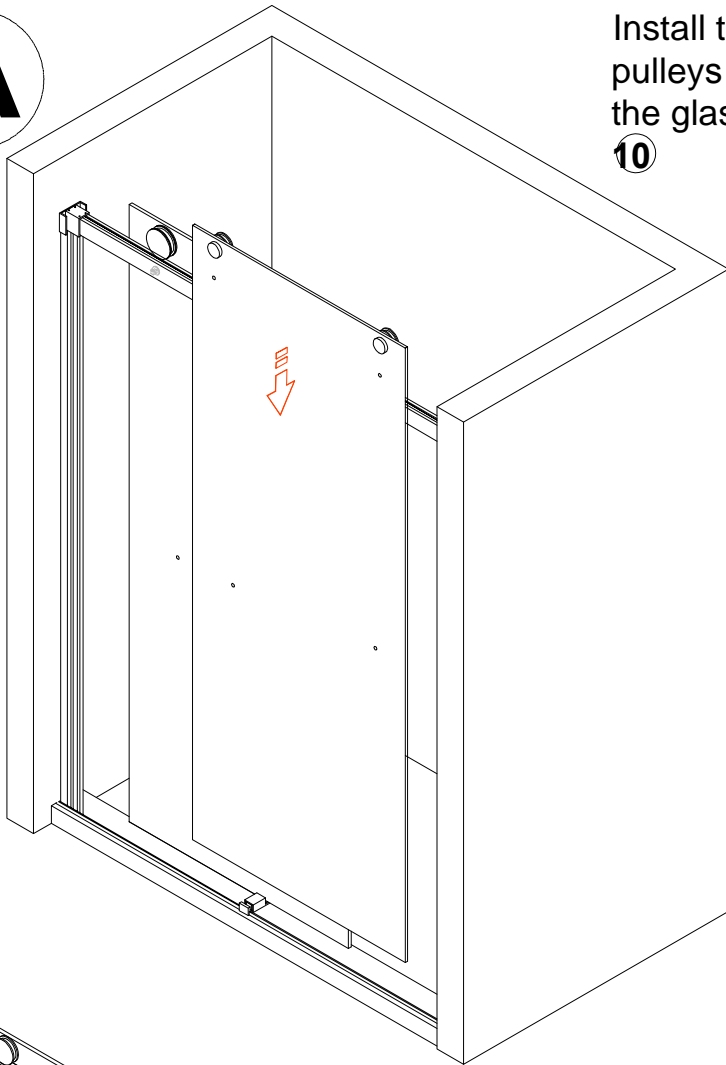
Attach the **4** bumper hook on the glass with the hook facing upward.



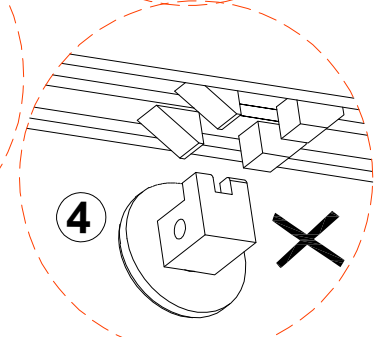
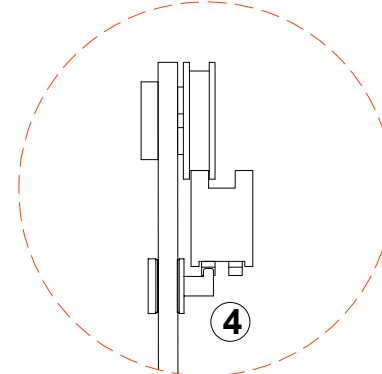
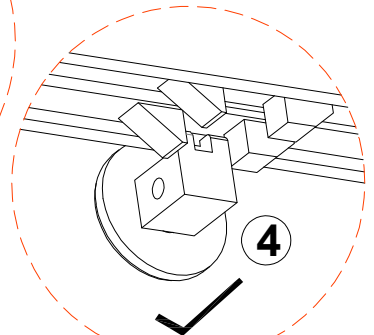
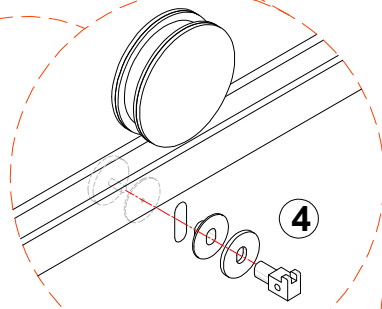
Adjust the hook to fit in between the bumper. This is your catch for the TruMotion mechanism.

A

Install the outside glass panel by placing the pulleys on the header rail **2** and the bottom of the glass shall be clamped into the guide block **10**



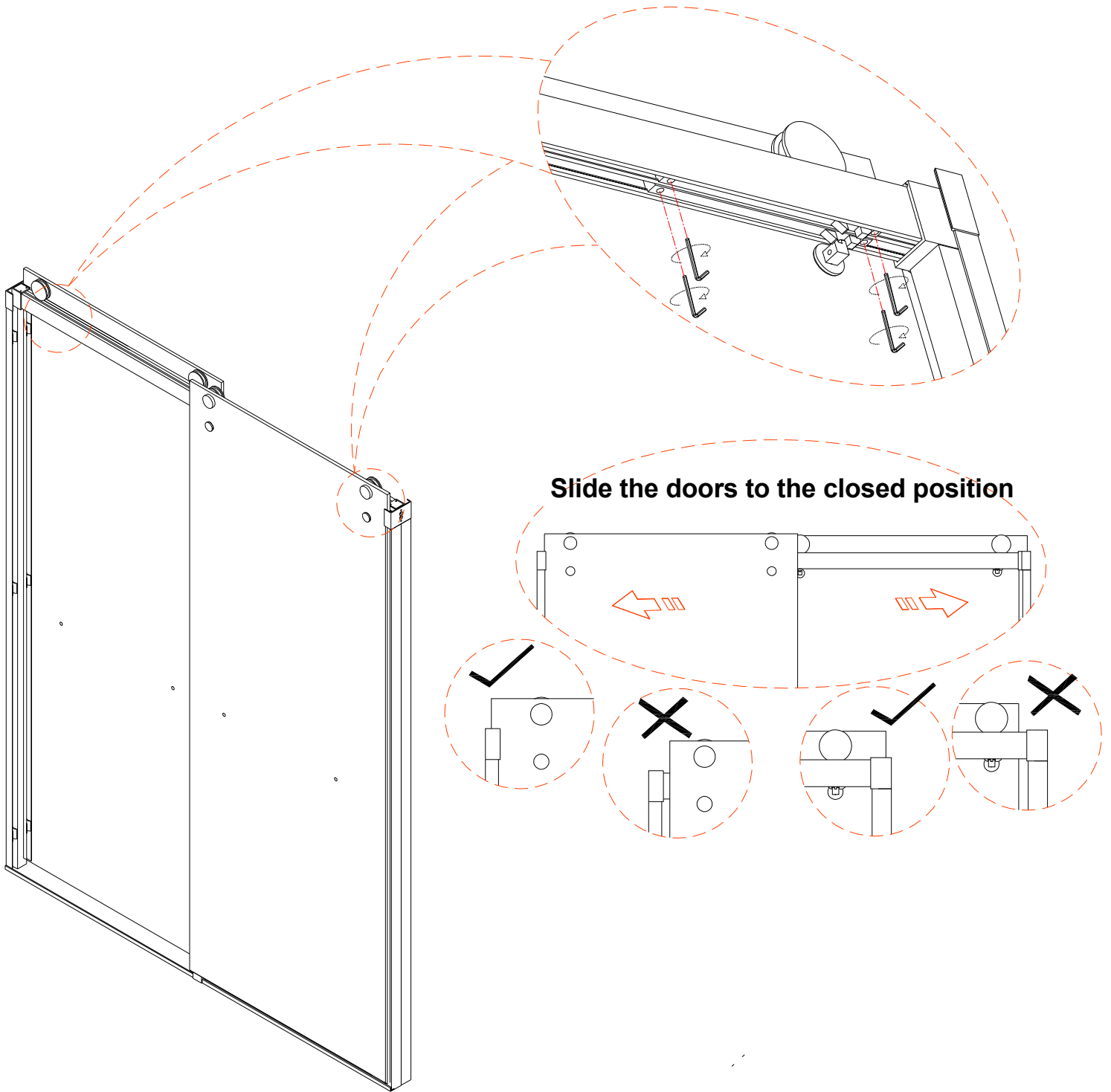
Install the hook of the bumper **4** on the glass



Adjust the hook to fit in between the bumper. This is your catch for the TruMotion mechanism.

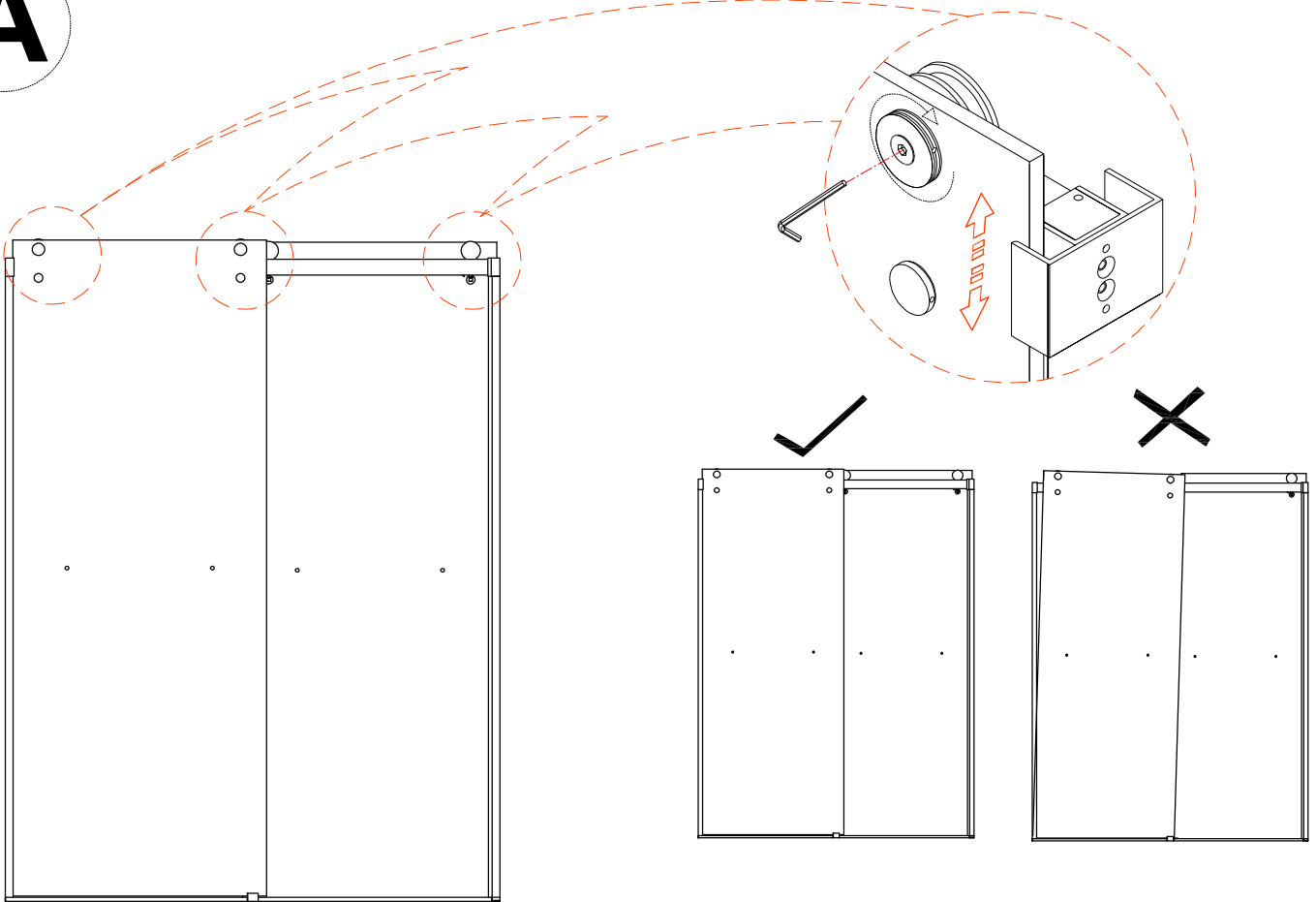
A

Unscrew all TruMotion mechanisms using a wrench

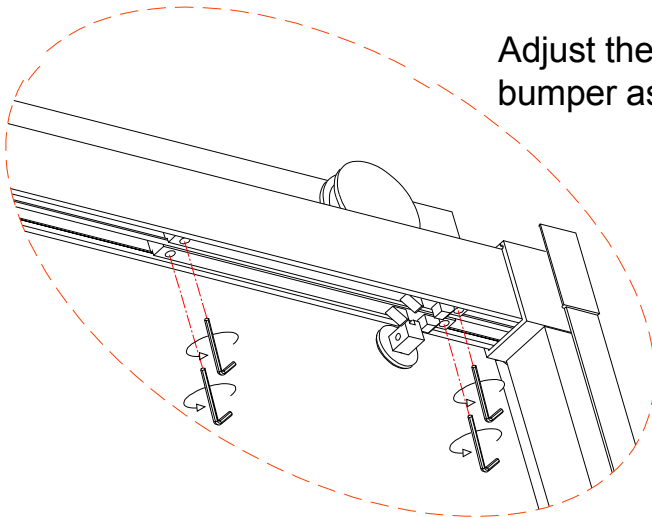


A

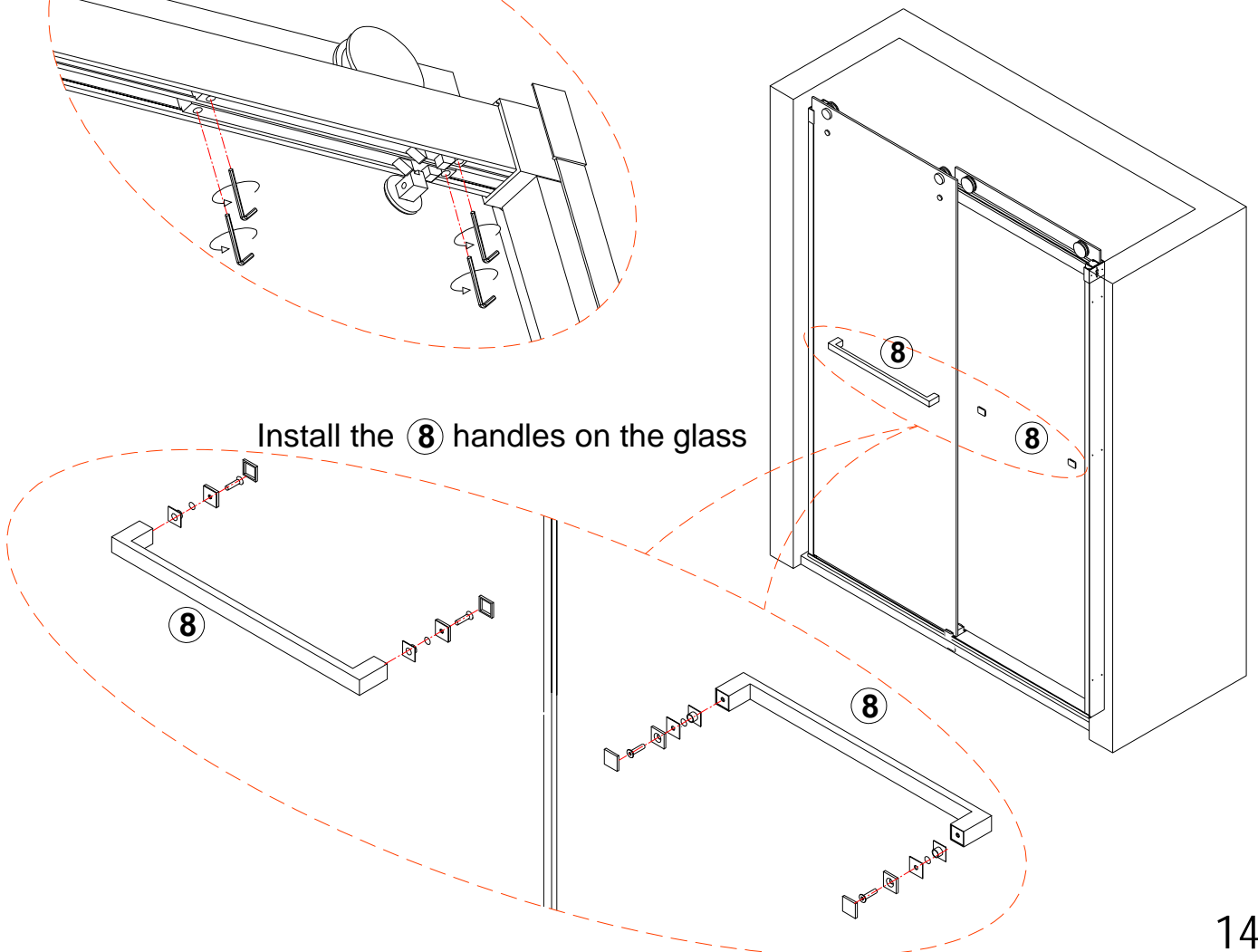
Adjust the pulley so that the glass is level/plumb.



Adjust the hook to fit between the bumper as needed.



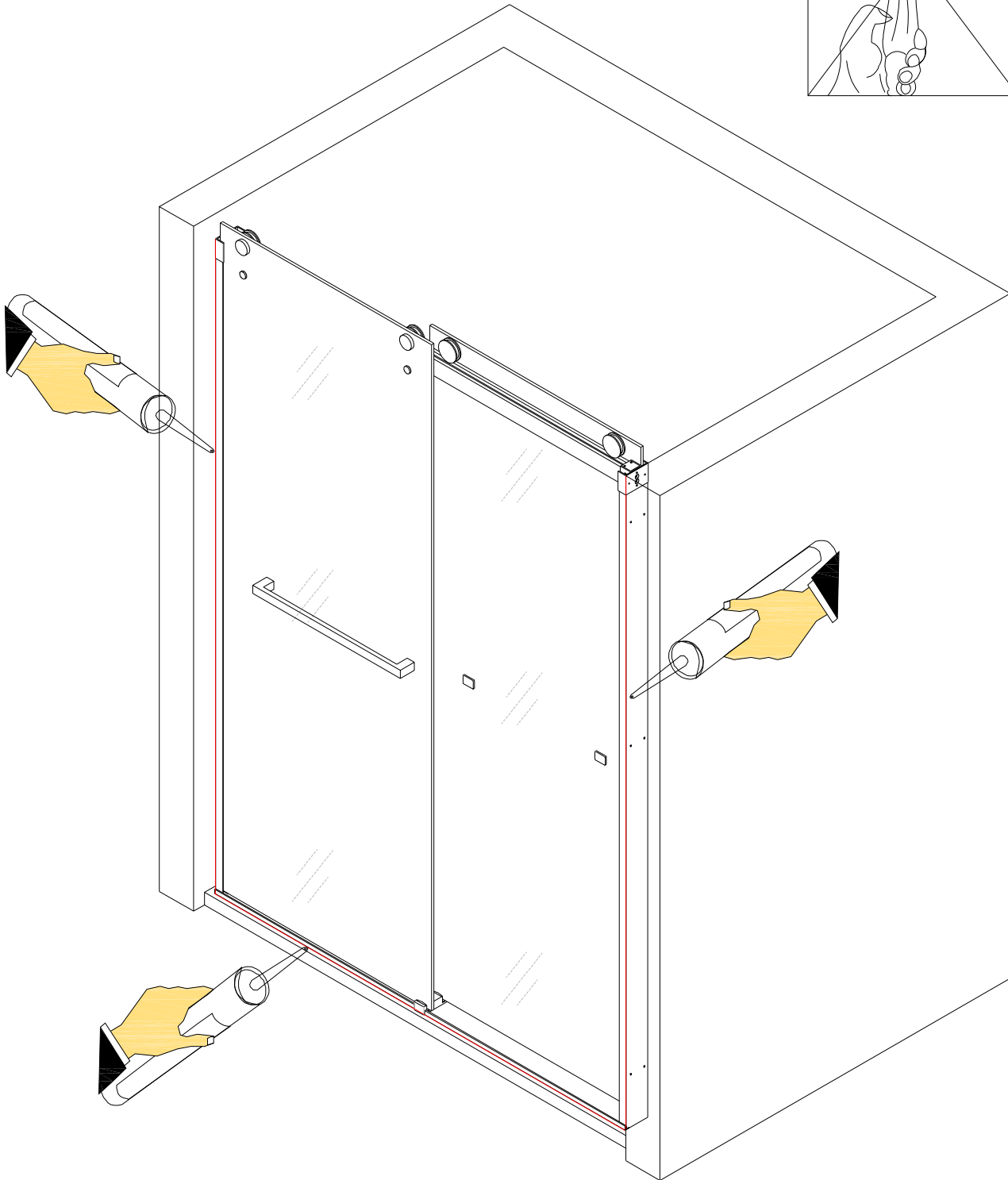
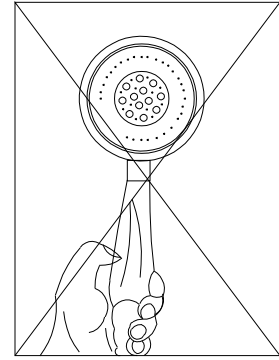
Install the ⑧ handles on the glass



A

24HRS

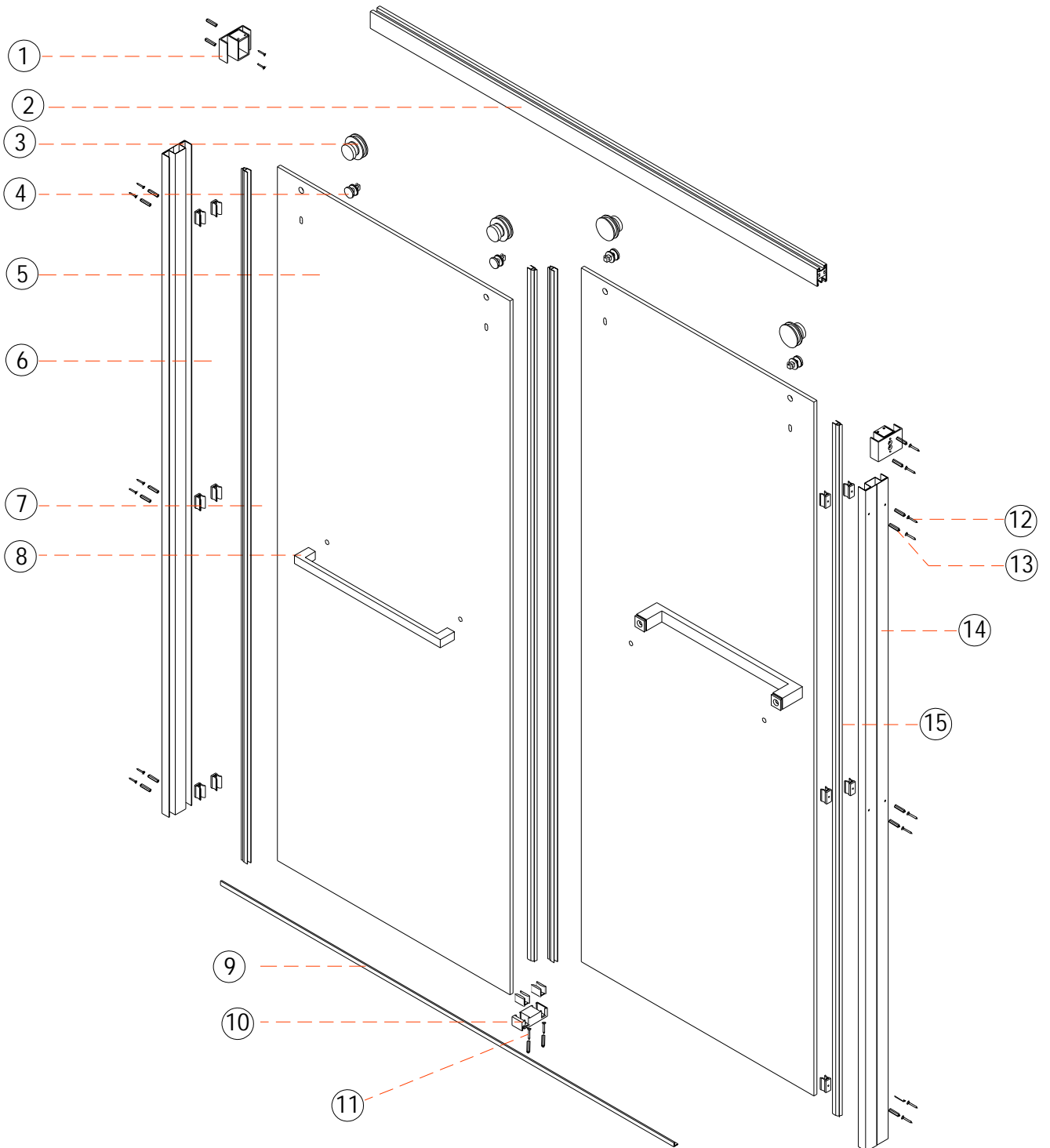
Note The surfaces need to be clean and free of debris before applying silicone. Allow 24 hours for the silicone caulk to cure before using shower

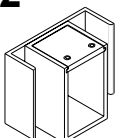
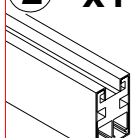
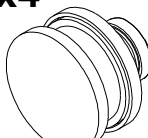


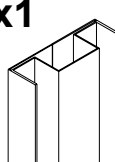
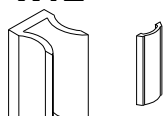
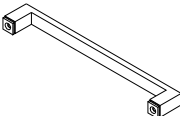
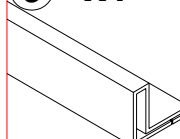
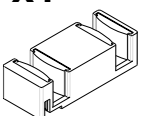


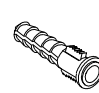
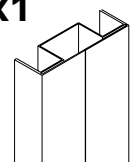
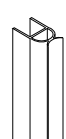


CARE and CLEANING TIPS for SHOWER DOORS:

Nano Coating keeps the glass protected and minimizes the cleaning. Use a squeegee or soft cloth on glass after daily use to avoid water spots and soap scum. When necessary, use a mild liquid dish soap and some warm water to clean the glass and frame. Avoid caustic, abrasive or ammonia-based cleaners. Avoid air drying.

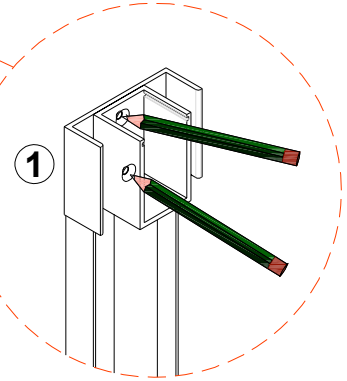
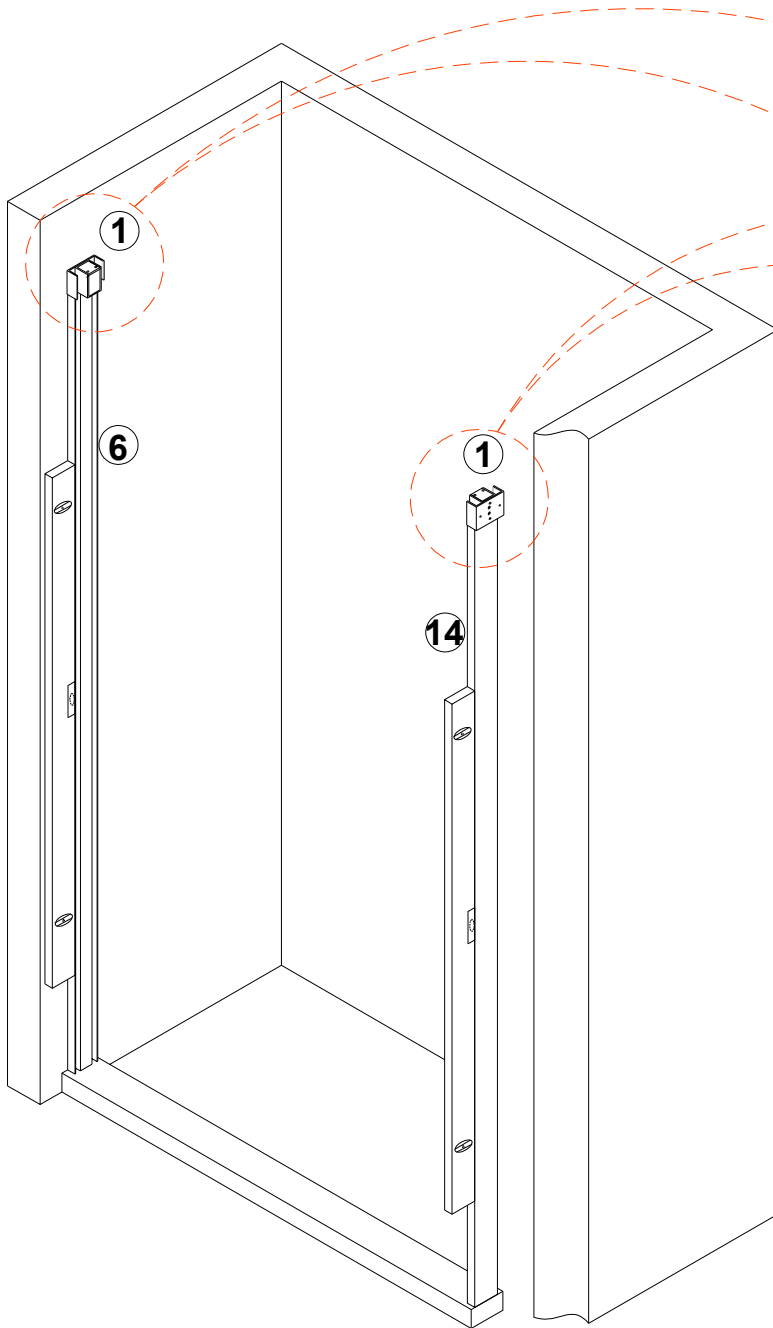
B



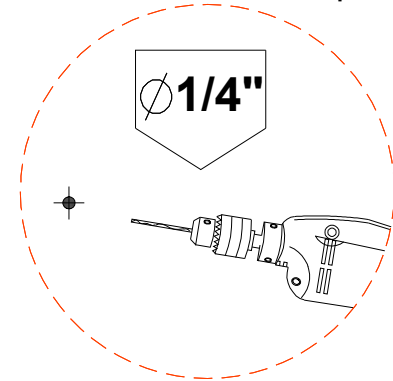
- | | | | | |
|---|---|--|---|---|
| 1 x2
 | 2 x1
 | 3 x4
 | 4 x4
 | 5 x2
 |
| 6 x1
 | 7 x12
 | 8 x2
 | 9 x1
 | 10 x1
 |
| 11 x2

ST 4x16 | 12 x16

ST4*35 | 13 x18
 | 14 x1
 | 15 x4
 |

B

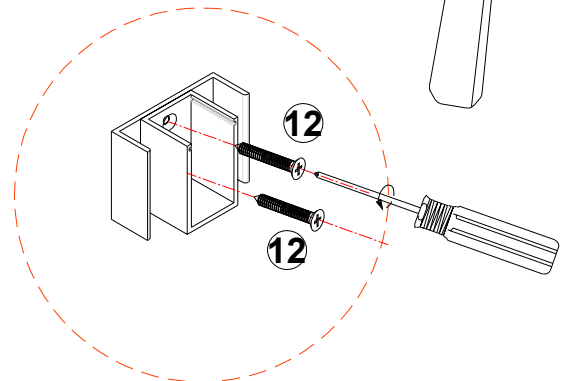
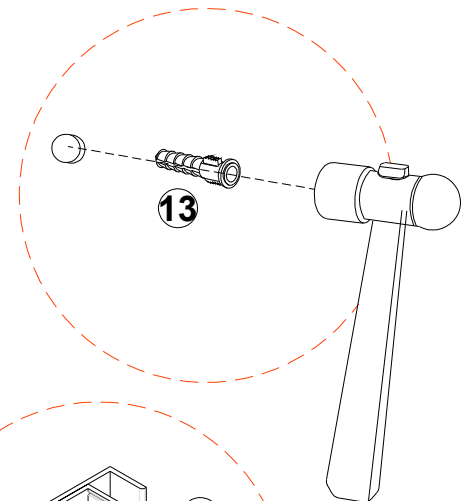
Place wall profile **6** and **14** on the installation position and measure the horizontal. Then place the **1** on the **6** and **14**, and draw the hole position of **1** with a pen



Use the $\text{Ø}1/4''$ drill bit to make holes in the drawn hole position



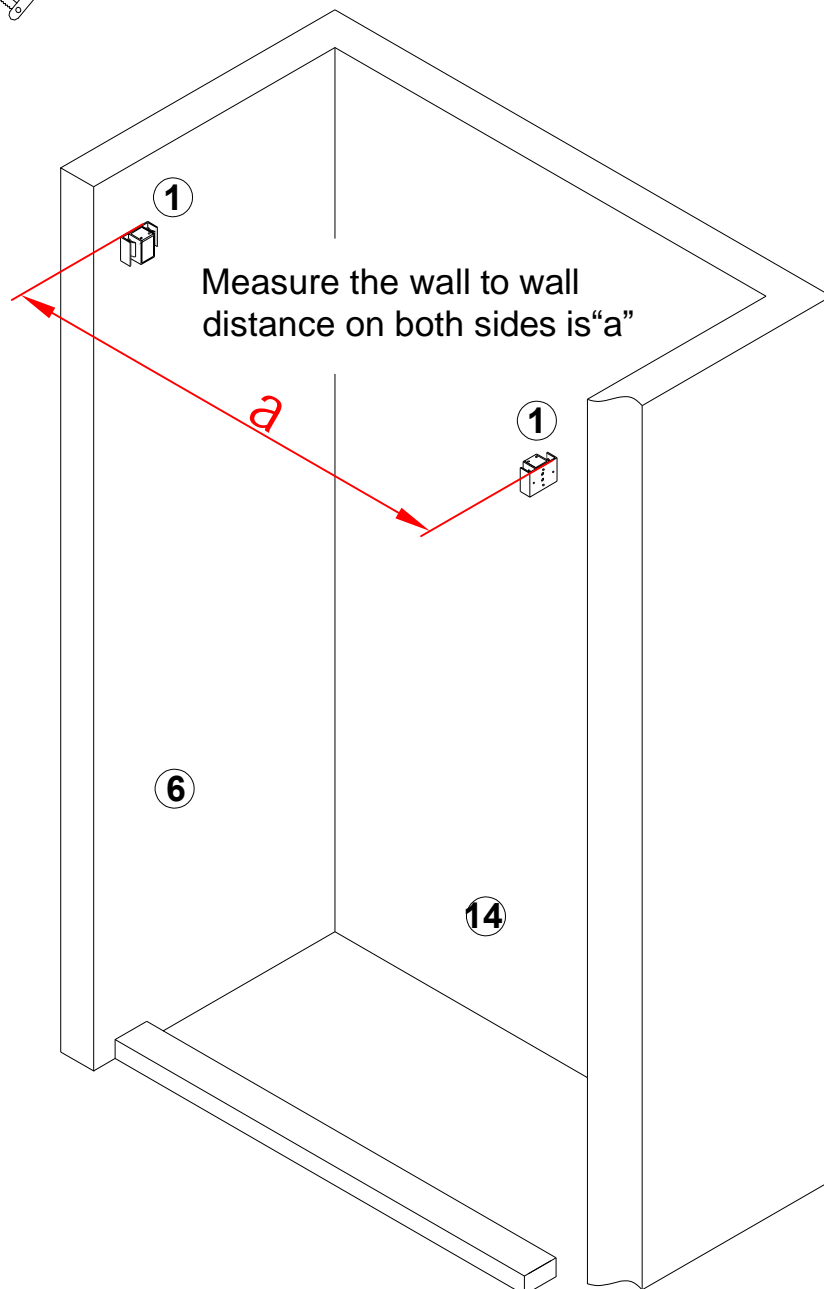
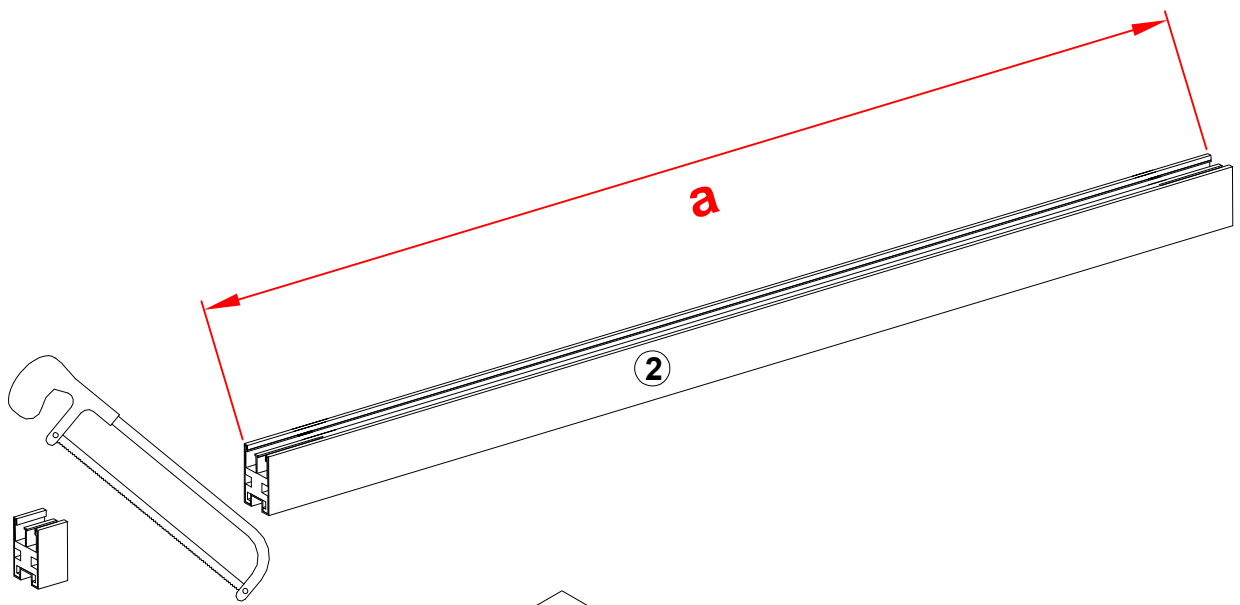
Gently tap **13** into the hole



Secure the **1** with screw **12**

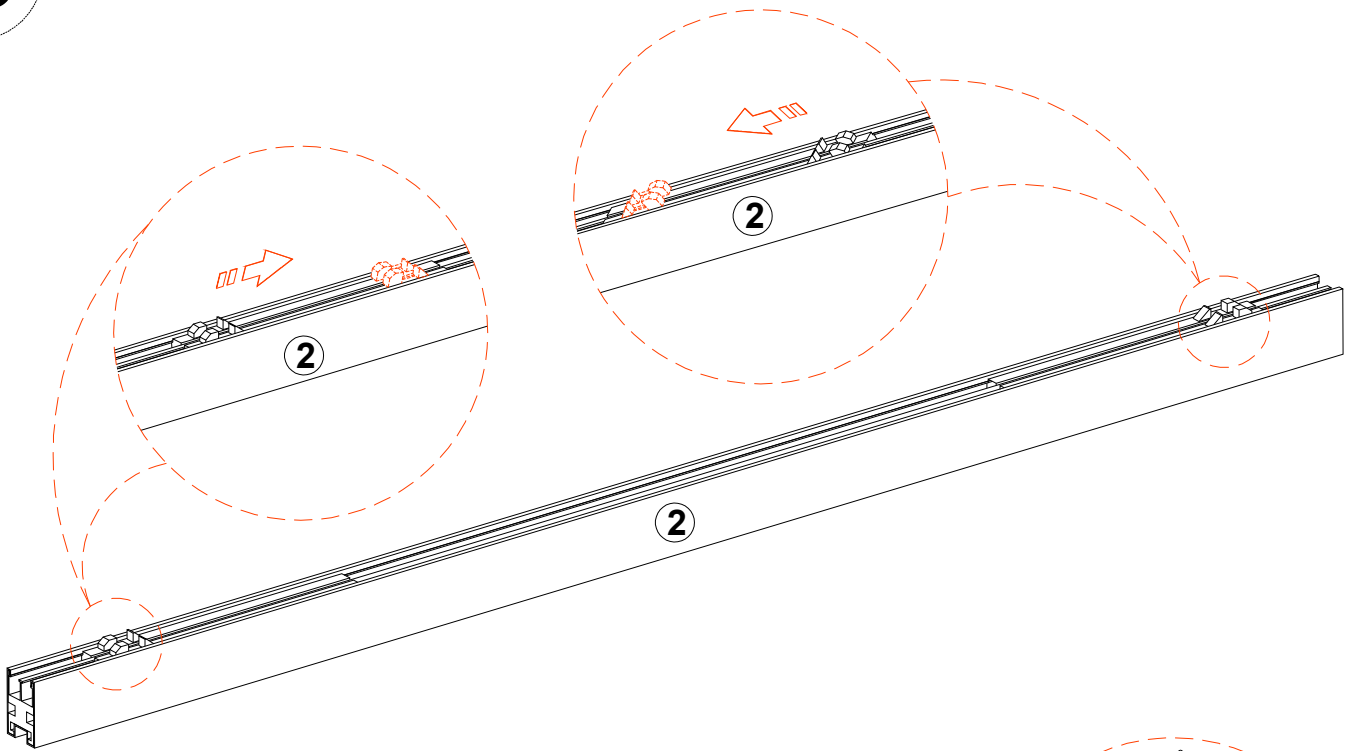
B

The header rail (2) may need to be cut to fit your opening (a) minus 1/4" for header bracket thickness.

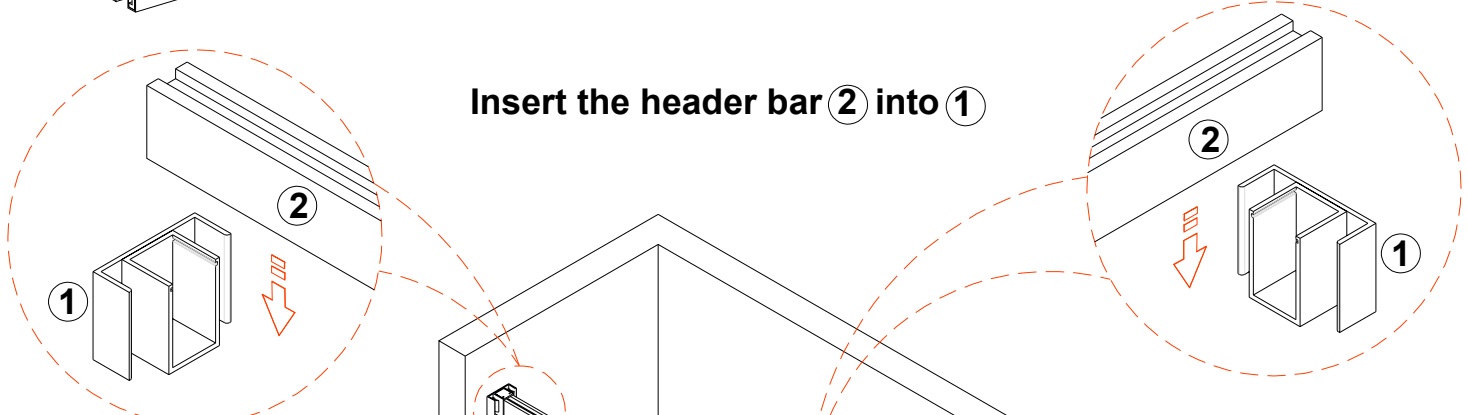


B

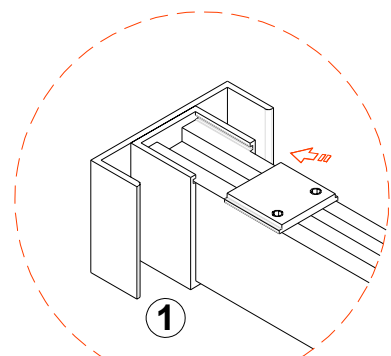
Push the buckle of the bumpers in header rail ② toward to the center of the header rail on both side, so that the bumper is in open state.



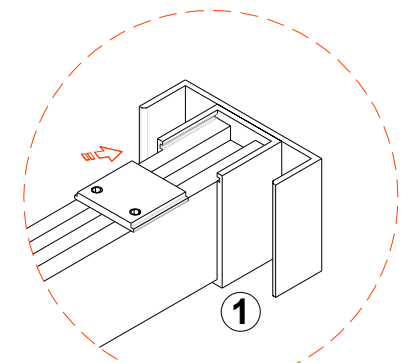
Insert the header bar ② into ①



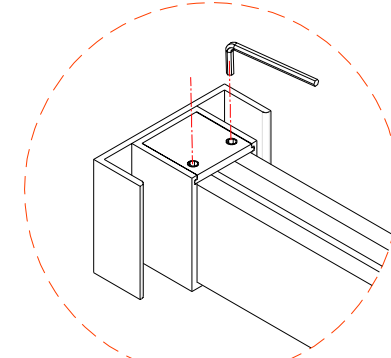
Push the cover inside ①



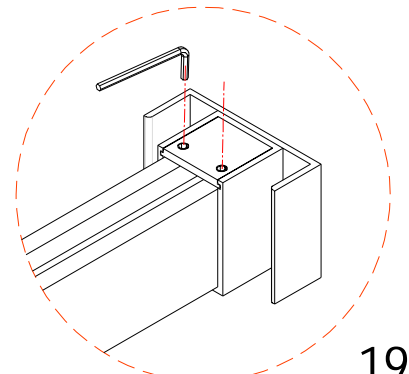
Push the cover inside ①



Lock tight the cover of ①

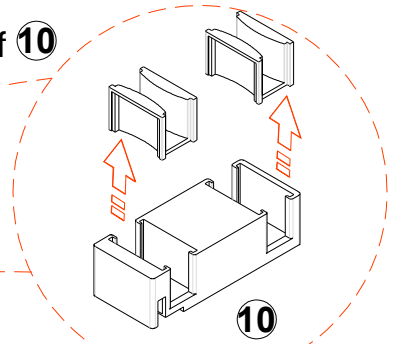


Lock tight the cover of ①

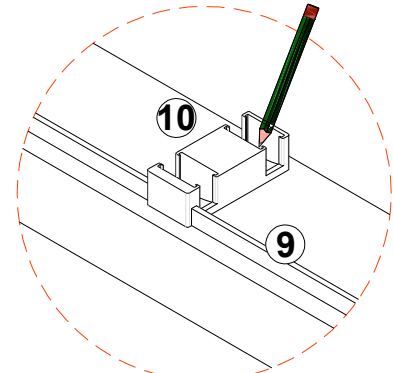


B

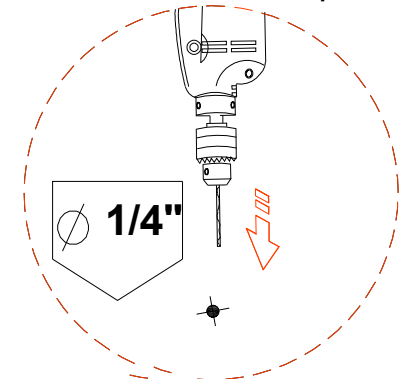
Remove the plastic part of guide of 10



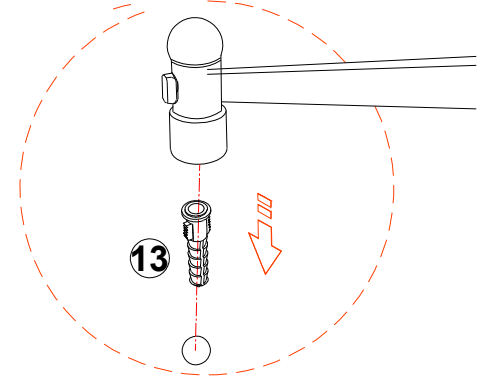
Draw the hole position of the 10



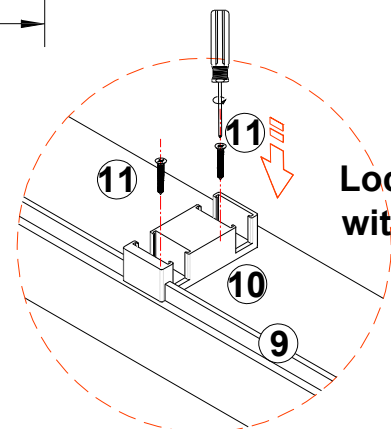
Use the $\varnothing 1/4"$ drill bit to make holes in the drawn hole position



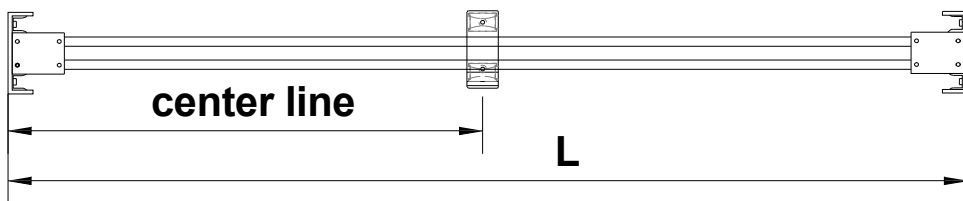
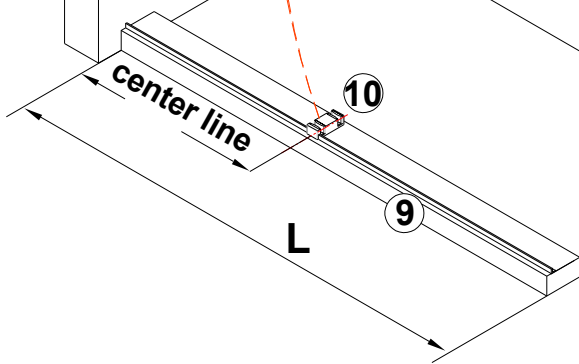
Tap 13 into the hole



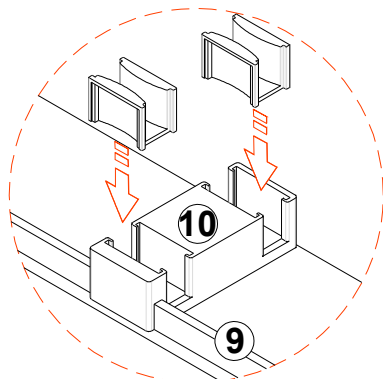
Lock tight 10 with screw 11



Place 9 stainless steel water proof bar and 10 guide piece at the bottom of 6 and 15 that the center of the guide piece is in center line position

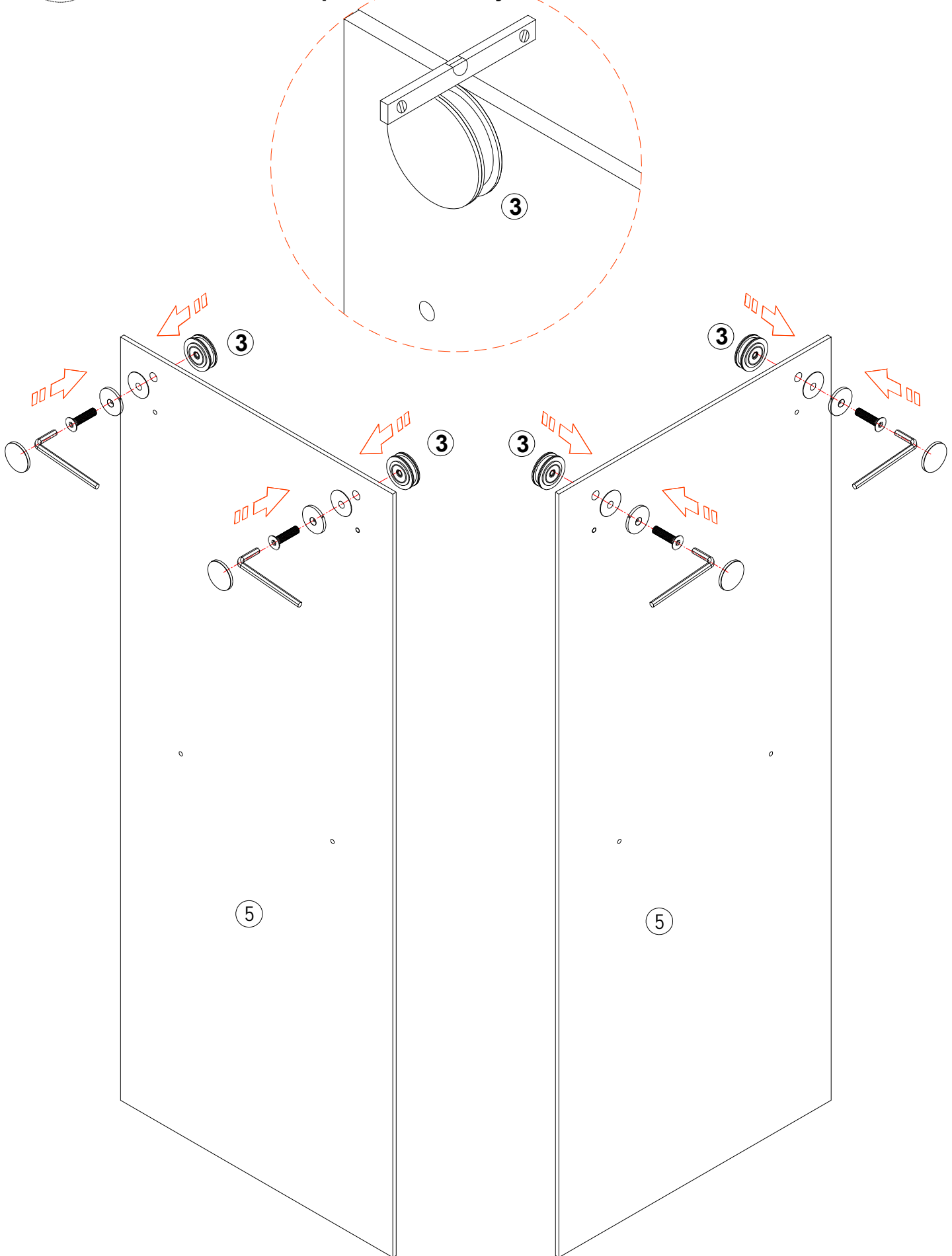


Install the plastic inserts



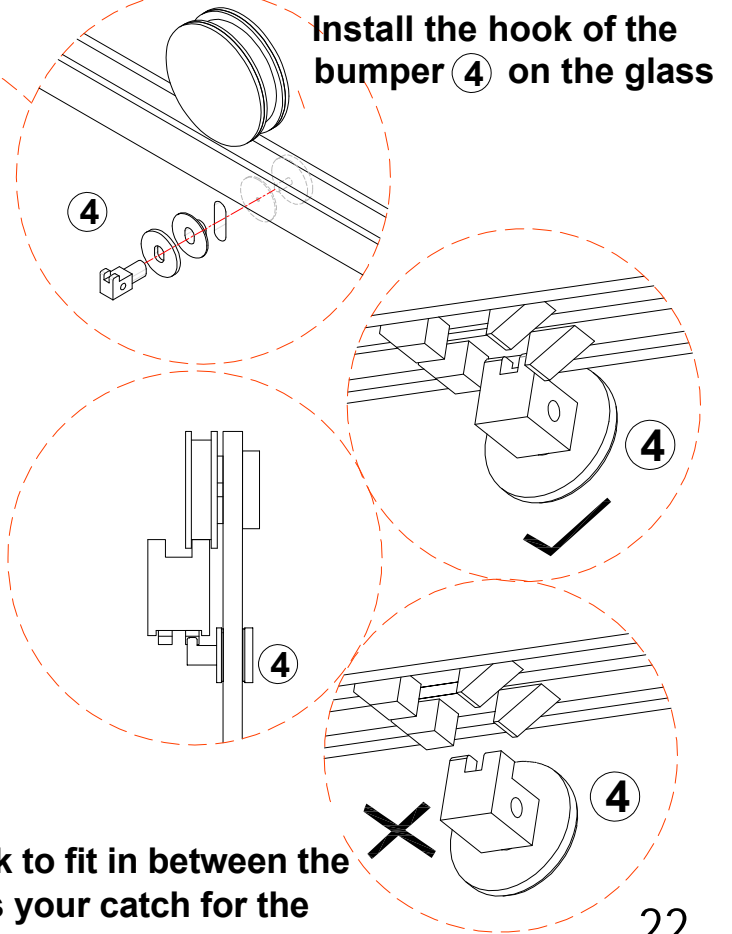
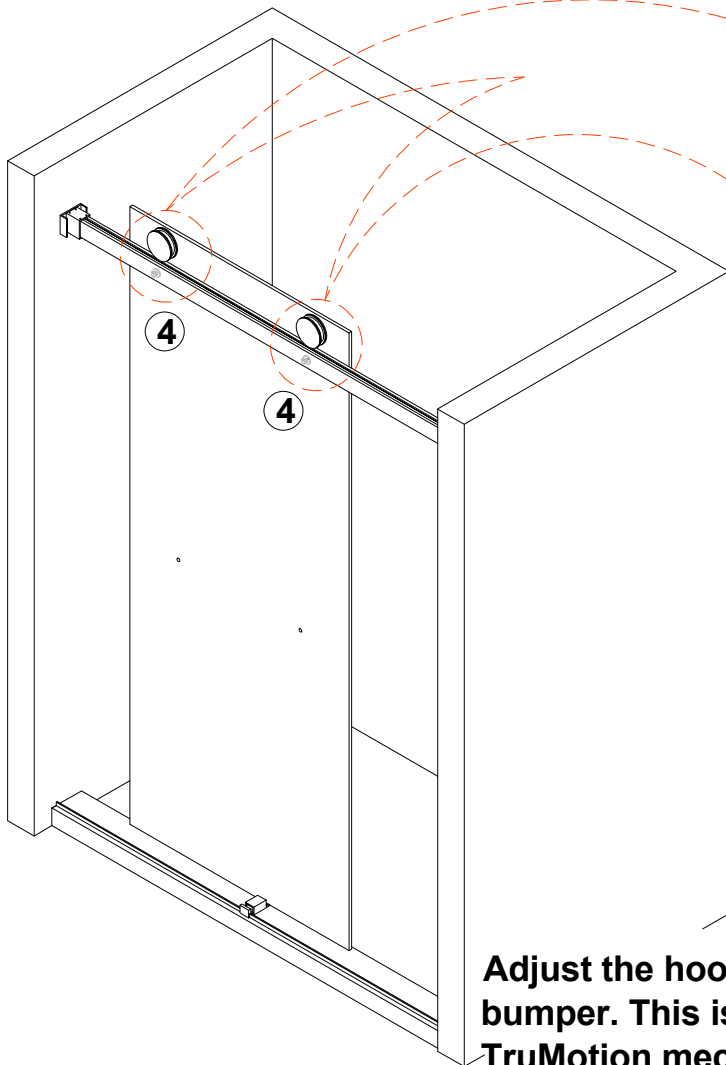
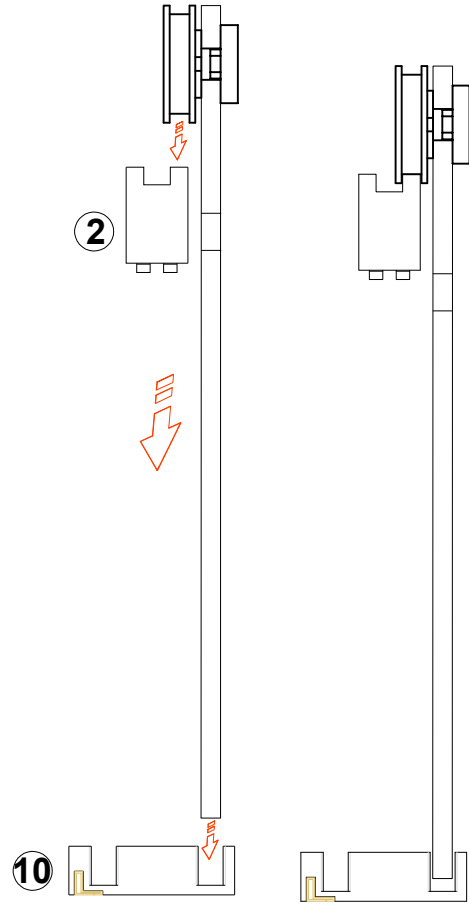
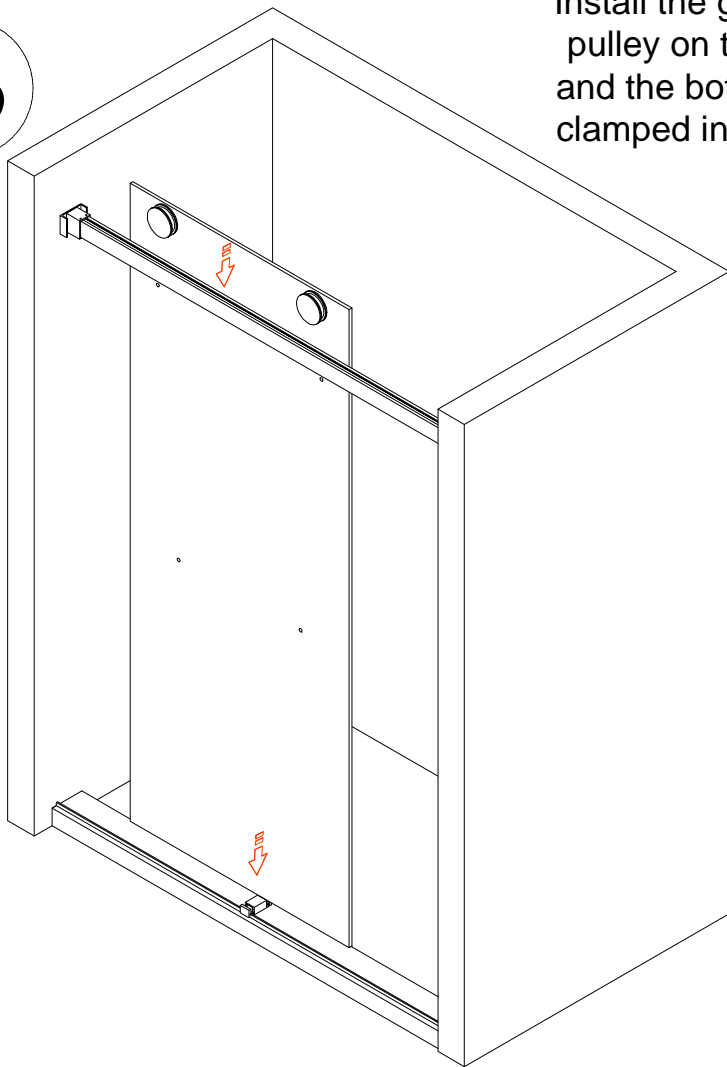
B

Install pulley ③ on glass ⑤ so that the edge of pulley ③ pulley is horizontal with the edge of glass ⑤.
Leave the cap off for later adjustment.



B

Install the glass with the pulley on the header rail ② and the bottom of the glass shall be clamped into the guide piece ⑩

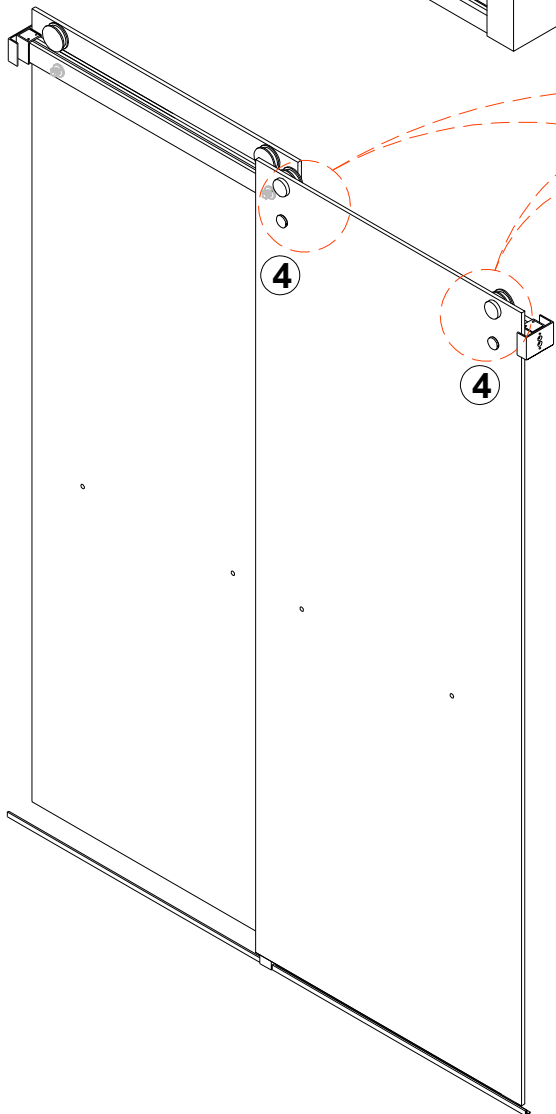
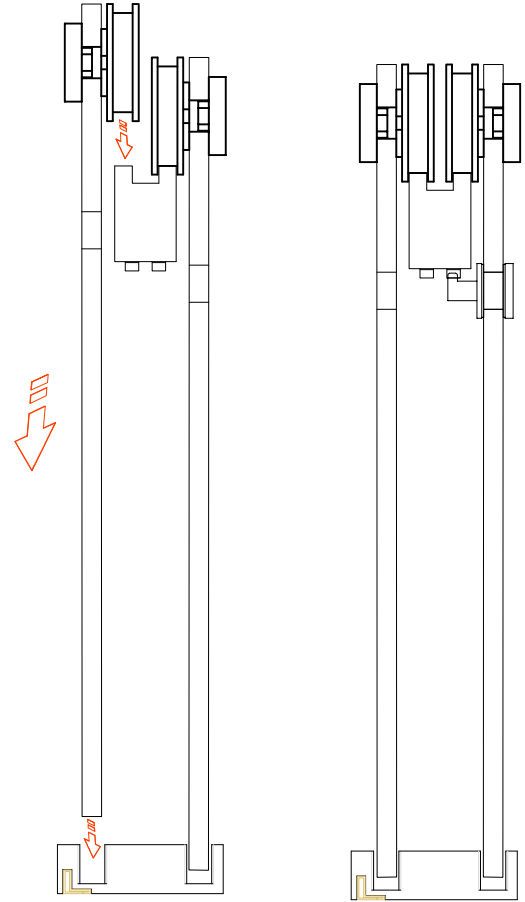
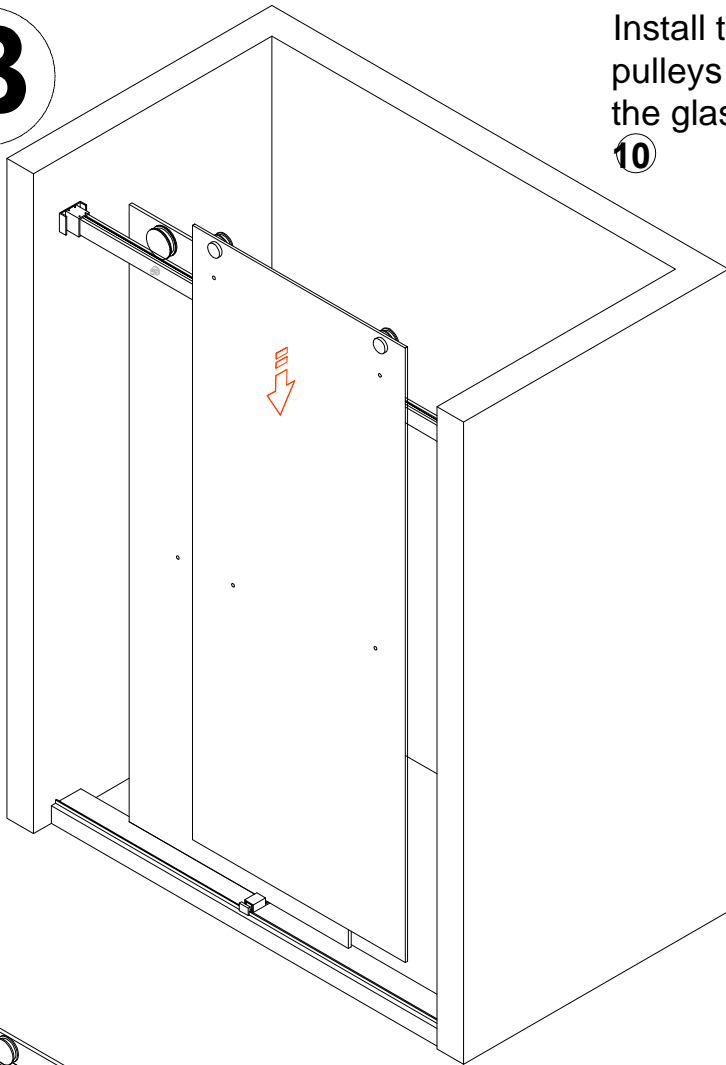


Install the hook of the bumper ④ on the glass

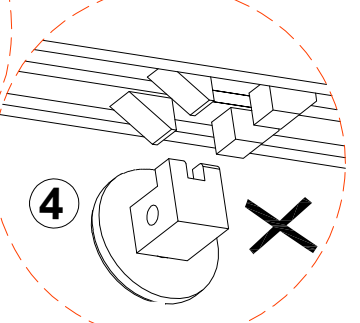
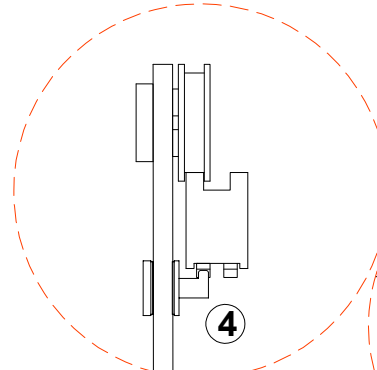
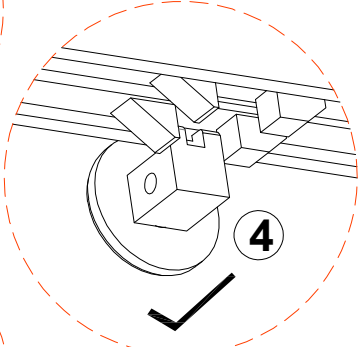
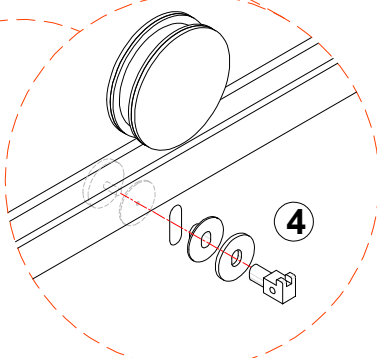
Adjust the hook to fit in between the bumper. This is your catch for the TruMotion mechanism.

B

Install the outside glass panel by placing the pulleys on the header rail (2) and the bottom of the glass shall be clamped into the guide block (10)



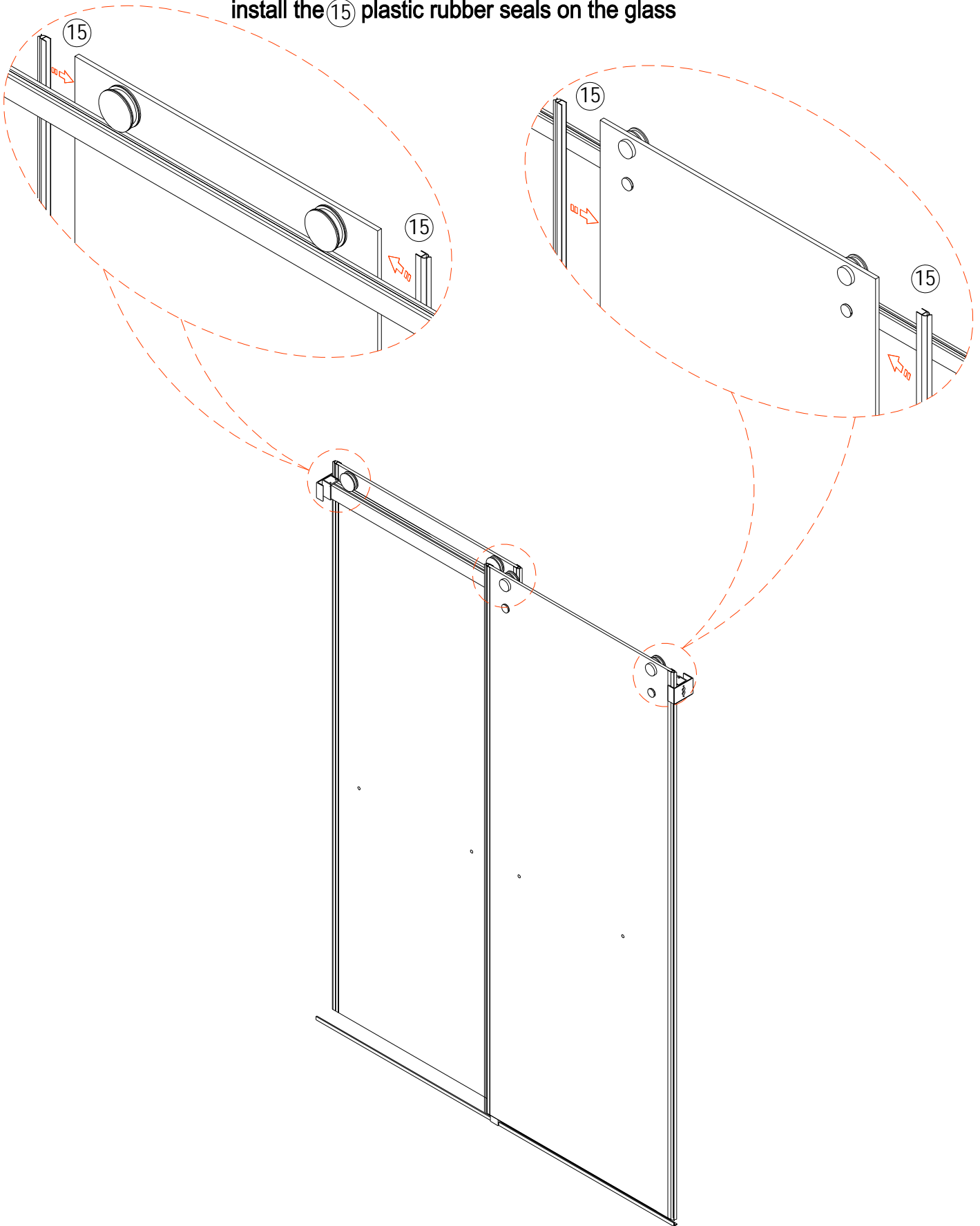
Attach the (4) bumper hook on the glass



Adjust the hook to fit in between the bumper. This is your catch for the TruMotion mechanism.

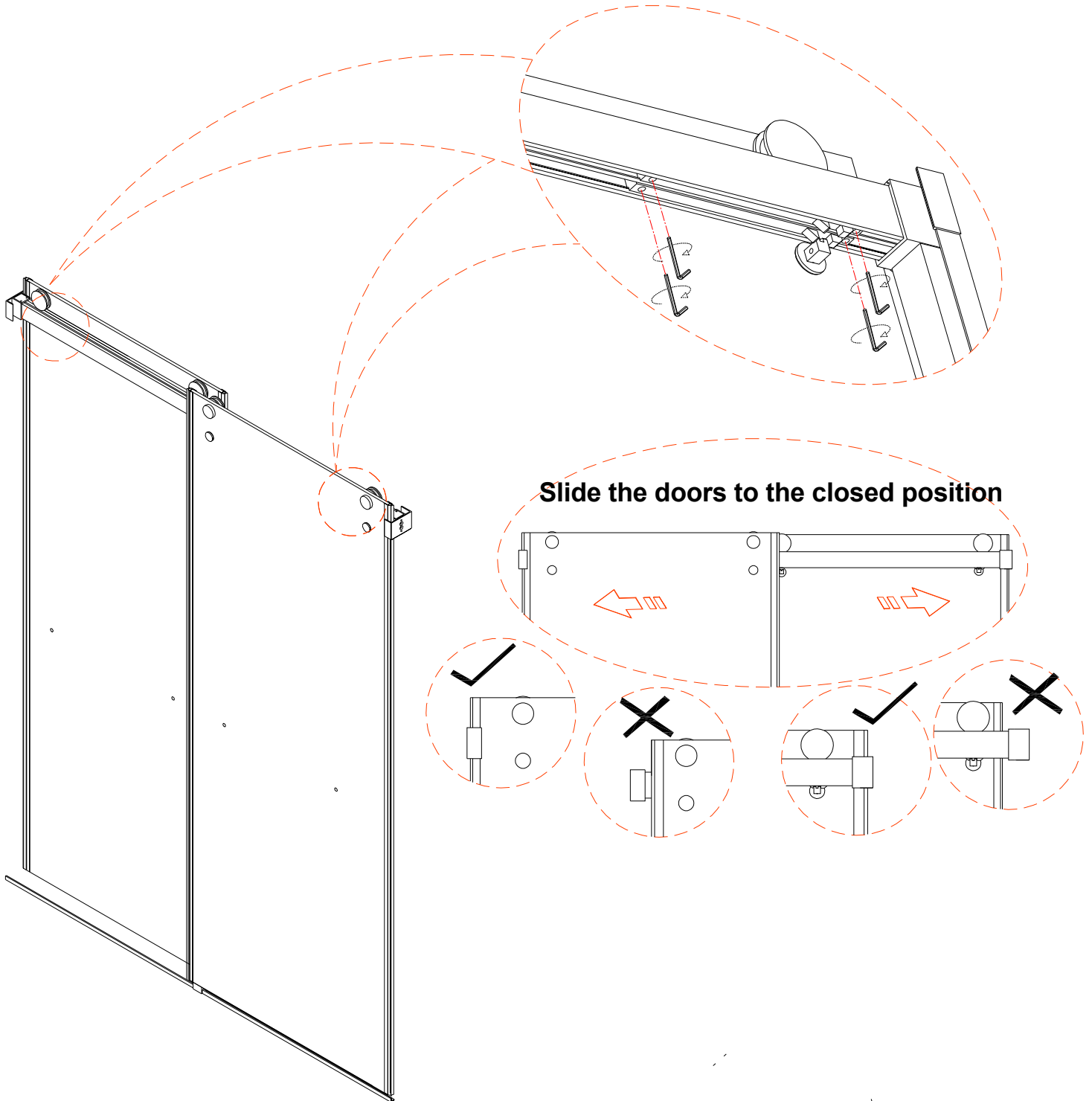
B

install the ⑮ plastic rubber seals on the glass



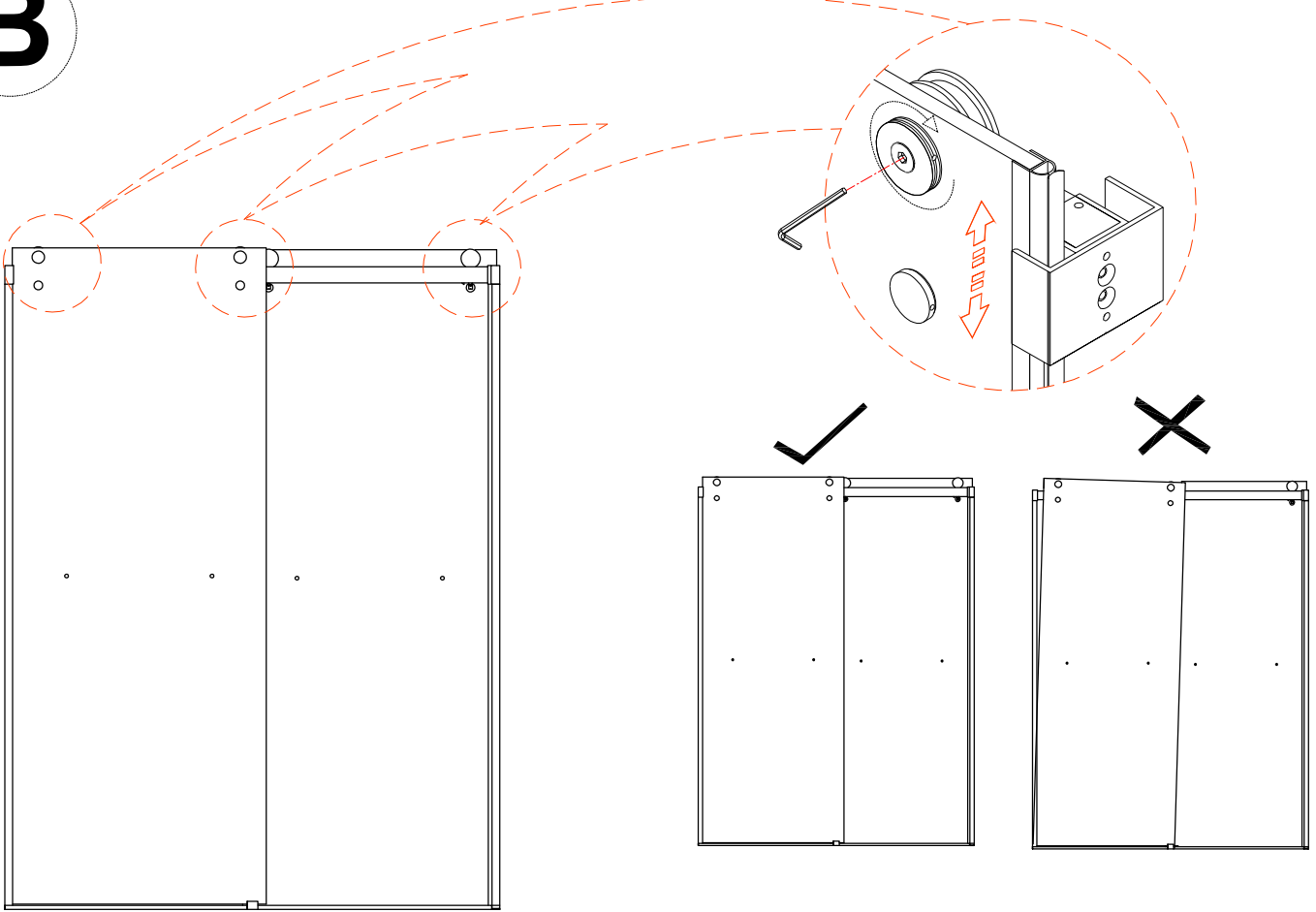
B

Unscrew all TruMotion mechanisms using a wrench

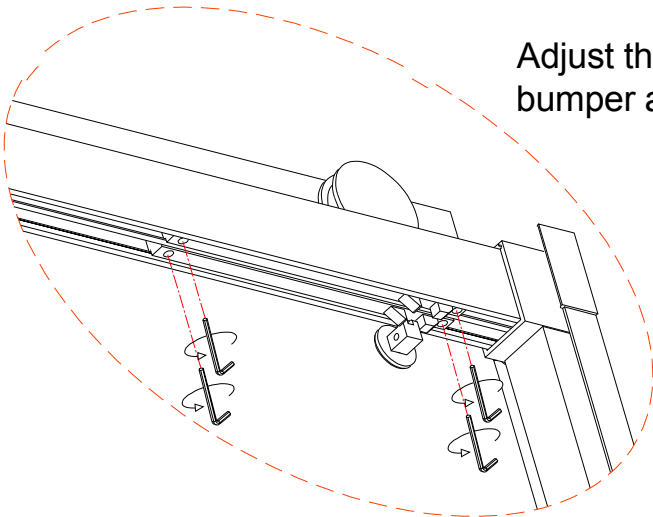


B

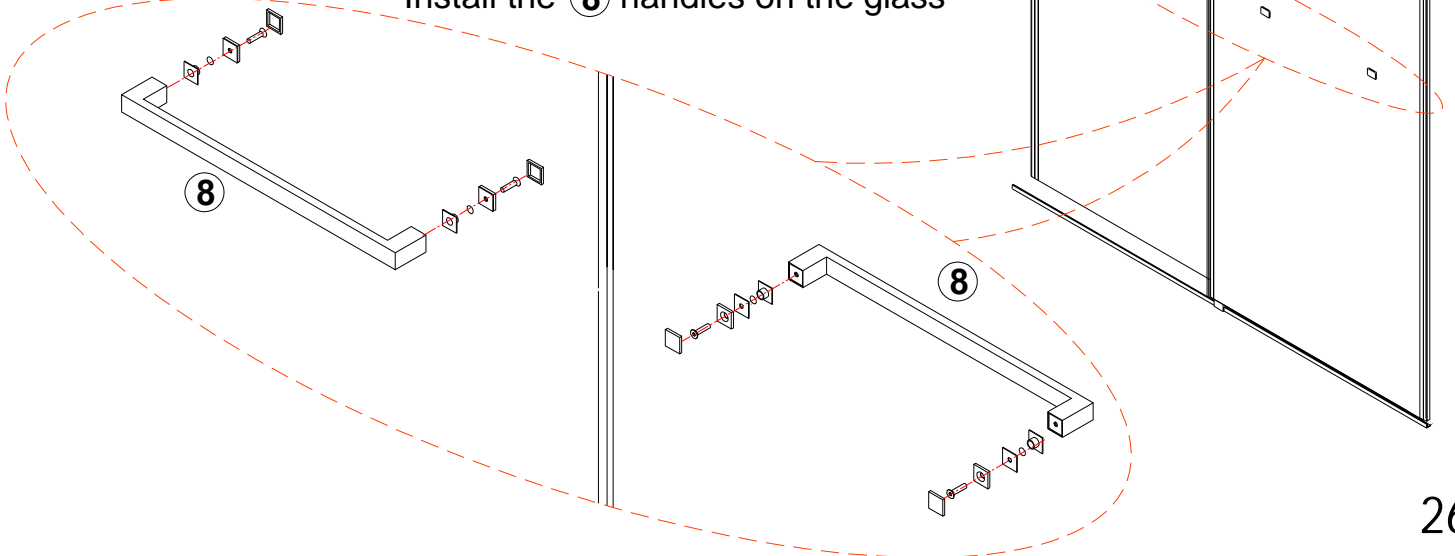
Adjust the pulley so that the glass is level/plumb



Adjust the hook to fit between the bumper as needed.



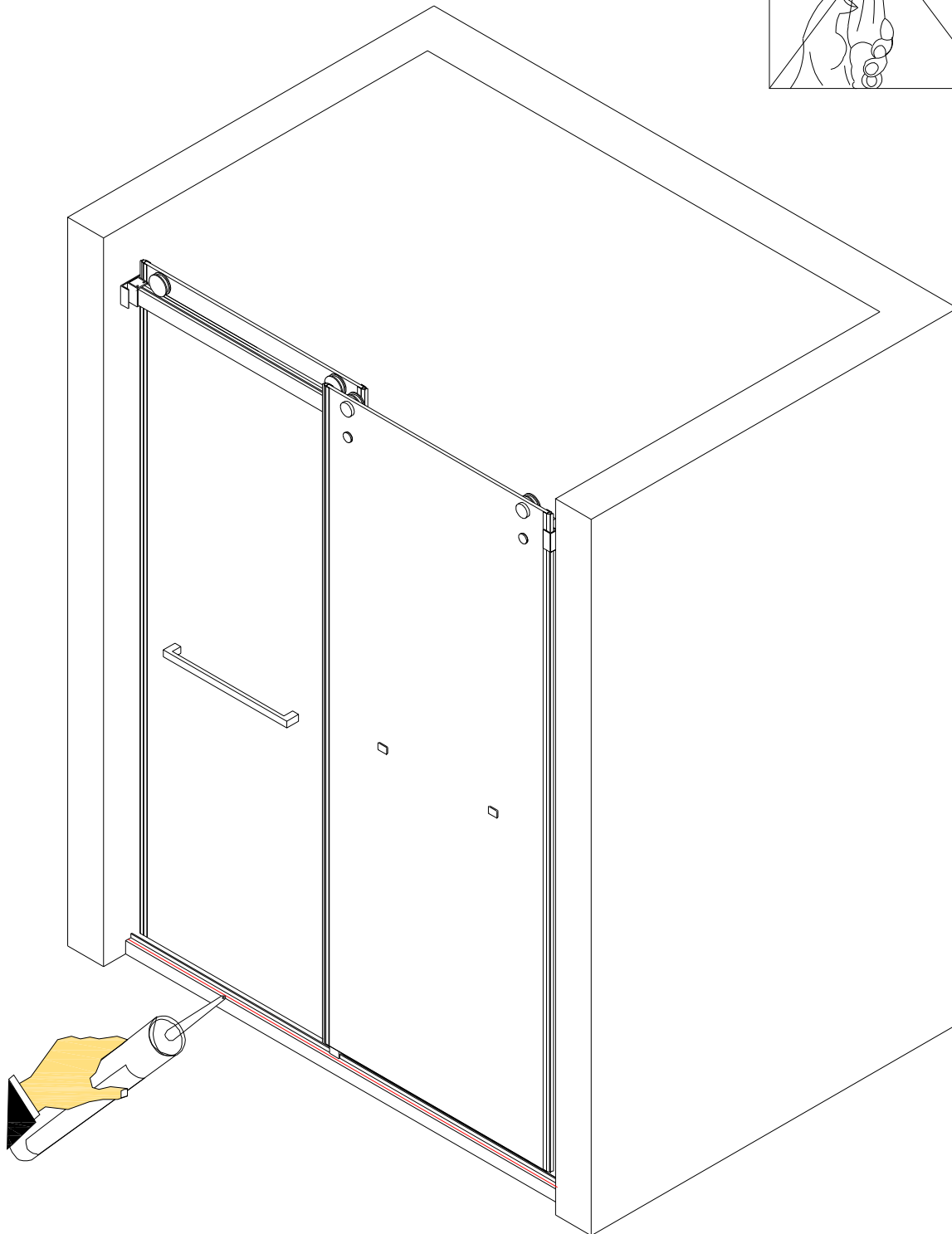
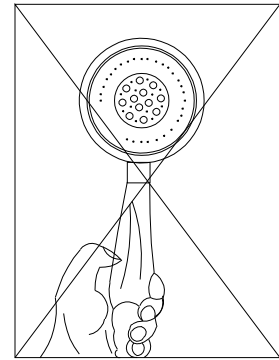
Install the ⑧ handles on the glass



B

Note The surfaces need to be clean and free of debris before applying silicone. Allow 24 hours for the silicone caulk to cure before using shower

24HRS



CARE and CLEANING TIPS for SHOWER DOORS:

Nano Coating keeps the glass protected and minimizes the cleaning. Use a squeegee or soft cloth on glass after daily use to avoid water spots and soap scum. When necessary, use a mild liquid dish soap and some warm water to clean the glass and frame. Avoid caustic, abrasive or ammonia-based cleaners. Avoid air drying.