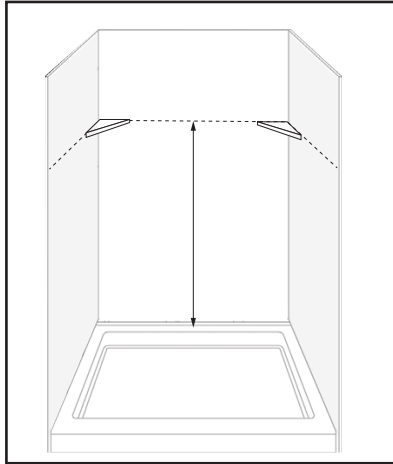


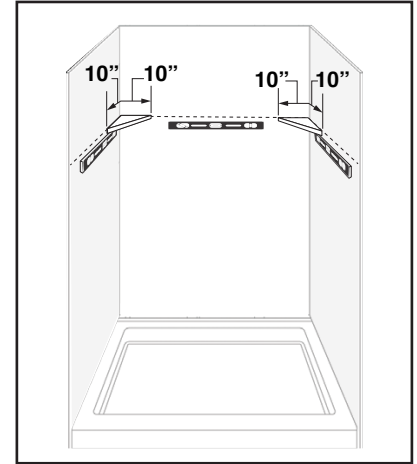
Solid Surface Corner Shelf CS99SS

Installation Instructions

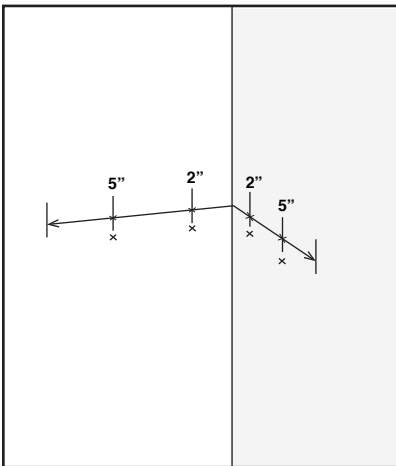
TOOLS REQUIRED



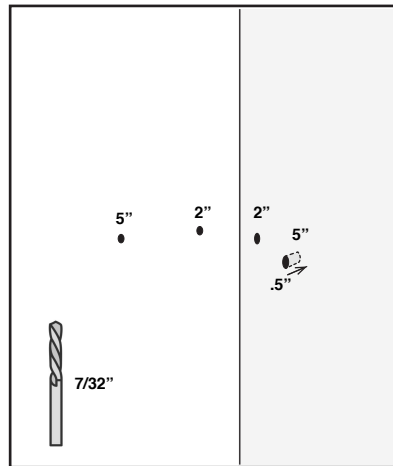
1. Can be installed left or right. Determine the mounting height of shelf.



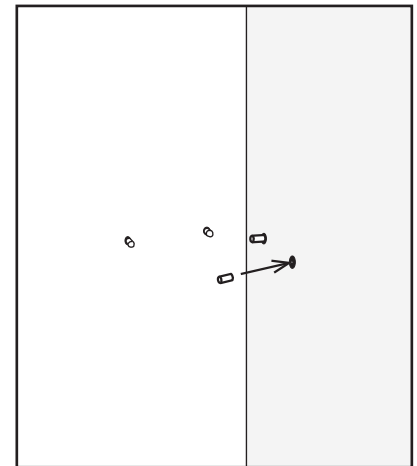
2. Using a level, mark 10" x 10" on each wall at determined height.



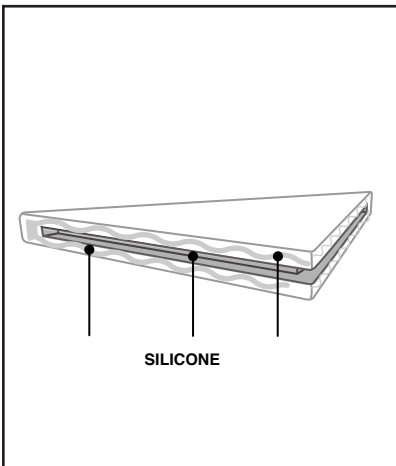
3. Studs should be marked at 2" & 5" from inside corner.



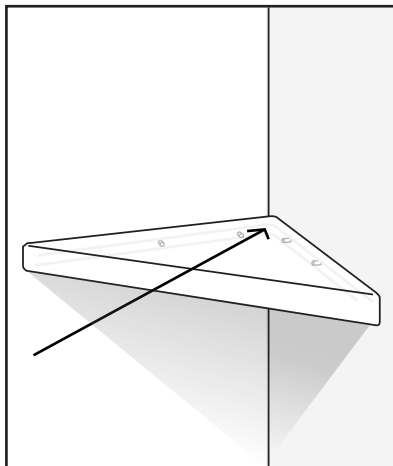
4. Drill small pilot hole, then using 7/32" bit, drill hole approximately 1/2" into wall.



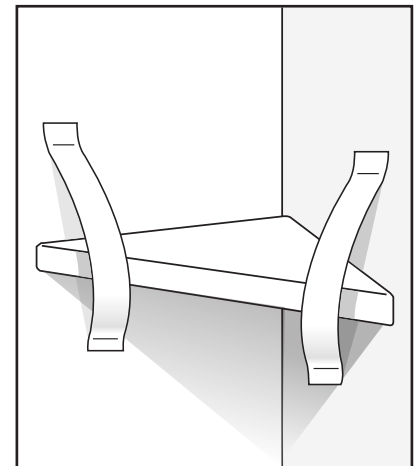
5. Fill holes with silicone and push studs into holes



6. Apply generous silicone to back of shelf on flat edges *and* into grooved area.



7. Install corner shelf over studs making sure shelf is level.



8. Secure shelf with tape for 60 minutes.