

## FEATURES

- Single threshold for alcove installation
- Integral 1" high tiling flange for a waterproof installation and a 3" wide threshold as well as a 1.1" threshold height
- Meets ADA guidelines when installed according to instructions.
- Installation for new and existing construction
- Easy installation. Level with thinset mortar mix.
- 10 Year Limited Residential Warranty / 3 Year Commercial Warranty

## SMFTD Trench Drain Shower Base

- Transtone® is made from a composite material composed of resin, fiberglass, and stone. Compression molded solid surface for a precise radius and angles. It is strong, lightweight, slip resistant and scratch resistant.
- Features a stainless steel concealed drain with removable cover that brings both a design element and comfort to your shower experience. Lift-off cover allows for easy cleaning. ABS drain is included.

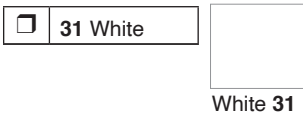


Modern Slip Resistance with a light rectangular comfortable texture. Easy to clean as well as slip resistant.

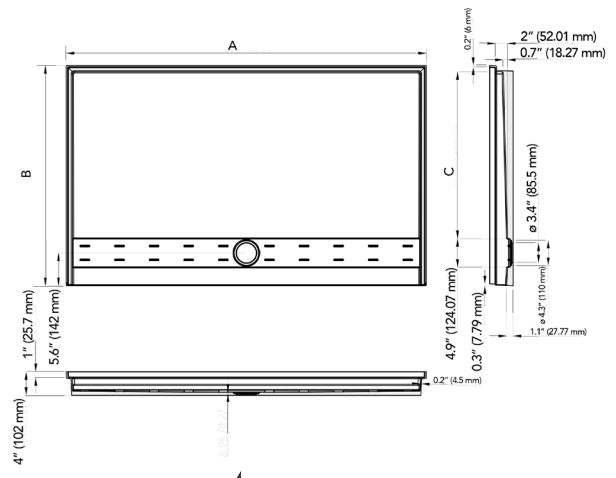
## Specify Model

FTD Center Drain Shower Bases						
	Model	A	B	C	Wt.	
<input type="checkbox"/>	SMFTD6036C	61.5"	37.5"	28.4"	72	
<input type="checkbox"/>	SMFTD6034C	61.5"	35.5"	26.4"	68	
<input type="checkbox"/>	SMFTD6032C	61.5"	33.5"	24.4"	64	
<input type="checkbox"/>	SMFTD6030C	61.5"	31.5"	22.4"	60	
<input type="checkbox"/>	SMFTD4836C	49.5"	37.5"	28.4"	58	

## To Be Specified: Color




## SMFTD Trench Drain Base



SHOWER BASES

## Compliance Certifications -

### Meets or Exceeds the Following Specifications

- IGC 154-2012
- ASME A112.18.1 / CSA B125.125.1-11
- IAPMO 
- cUPC®