

FEATURES

- Rectangular vessel bathroom sink for above counter installation.
- No faucet hole drillings.
- Vitreous china.
- Concealed drain with vitreous china drain cover.
- Designed for use with vessel or wall-mount faucets (not included).
- 5 Year Limited Residential Warranty / 1 Year Commercial Warranty

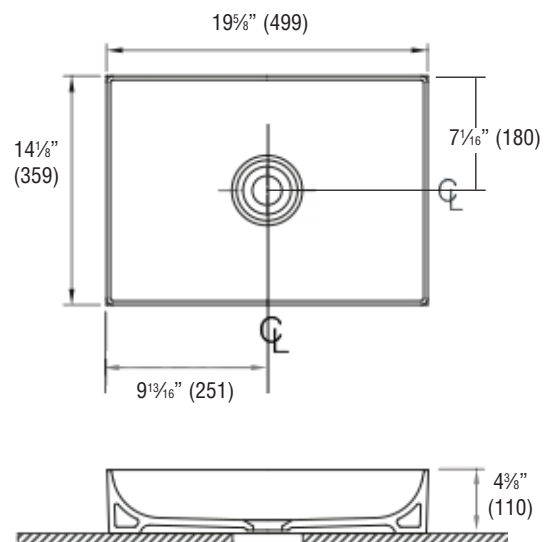
COLOR

- White



Specified Model

	MODEL NO.	DESCRIPTION	Width	Depth	Height	Ship Wt. lbs.
ABOVE COUNTER LAVATORY						
<input type="checkbox"/>	SML-1620-01	Lavatory Vessel Bowl	19 ⁵ / ₈ "	14 ¹ / ₈ "	4 ³ / ₈ "	22



Compliance Certifications - Meets or Exceeds the Following Specifications

- ASME A112.19.2M-1998
- Canadian Uniform Plumbing Code 2002
- UPC®

These measurements are subject to change or cancellation. No responsibility is assumed for use of superceded or voided pages.