

**FEATURES**

- 60" x 30" x 15" alcove bathtub.
- Acrylic material.
- Left-hand or right-hand drain location. (Must specify LH or RH when ordering.)
- Drain not included.
- Linear overflow hole.
- Has anti-slip texture on bottom.
- Bathtubs available in a bulk pack of 15 (SMUATLN603015-L/R).
- 10 Year Limited Residential Warranty / 3 Year Commercial Warranty.

**OPTION**


- SMTDL Bathtub drain with linear overflow in decorative finishes: PC, BN, MB, and CB. See back for information.



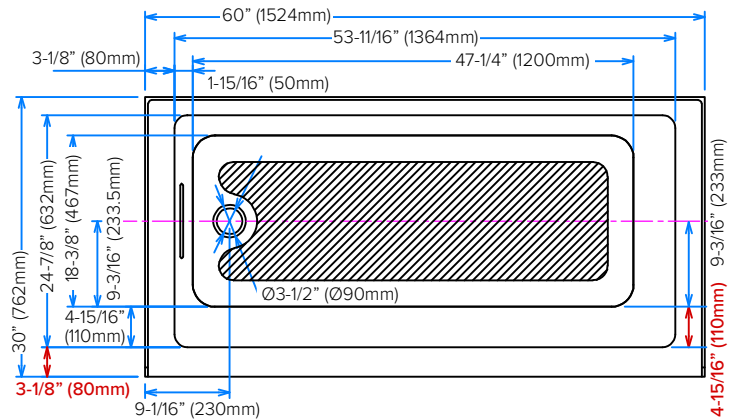
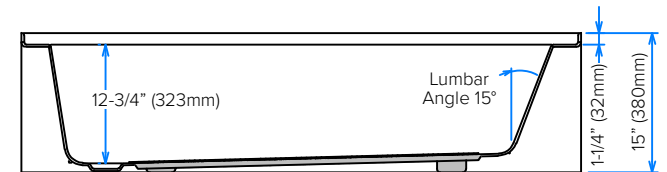
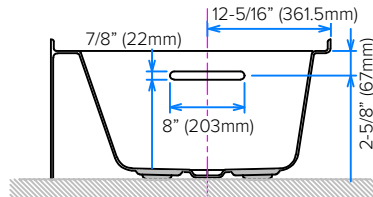
**Specified Model**

Model	SMUATLN603015-L/R
Dimensions	60"L x 30"W x 15"H
Drain Outlet	Left-Hand or Right-Hand
Water Capacity	39.89 gallons
Item Cubic Feet	15.63
Item Weight	50.72 lbs.
Shipping Weight	59.54 lbs.
Material	Acrylic
Installation	Alcove
Required	Wall mount faucet

**To Be Specified:**

<b>COLOR</b>	
White	
<b>FINISH</b>	Gloss White
Gloss	

Gloss White



**Compliance Certifications -  
Meets or Exceeds the Following Specifications:**



• CSA B45.5/IAPMO Z124

**OPTIONAL**

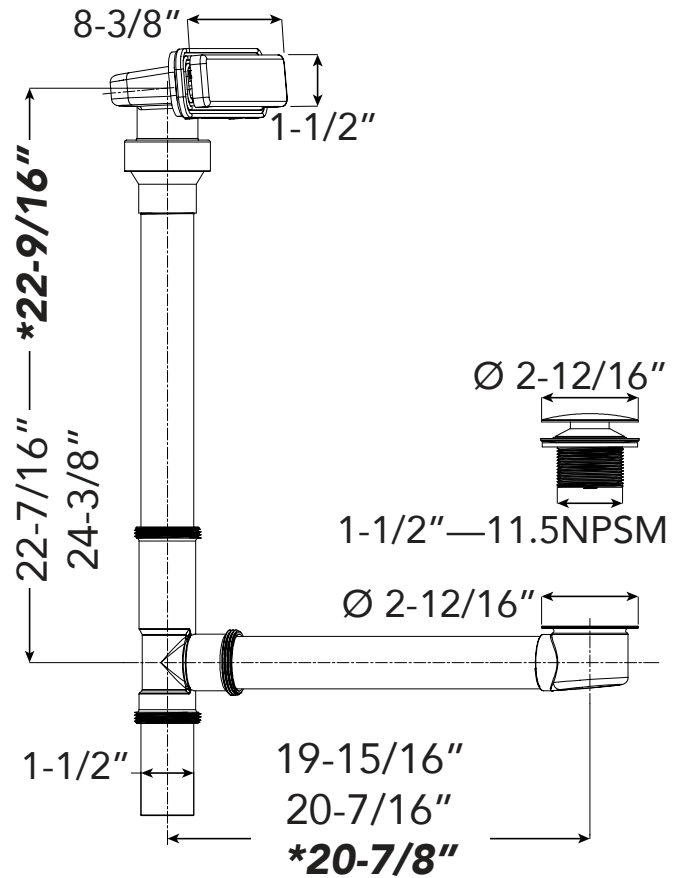
SMTDL bathtub drain in decorative finishes.

**SPECIFICATIONS**

SMTDL Linear Bathtub Drain with Overflow. Drain is available in PVC or Brass material. Also available in 5 packs. Finishes: PC Polished Chrome and BN Brushed Nickel for both PVC and Brass drains. CB Champagne Bronze and MB Matte Black only for PVC drains.

**To Be Specified:**

FINISH	
<input type="checkbox"/>	PC Polished Chrome
<input type="checkbox"/>	BN Brushed Nickel
<input type="checkbox"/>	CB Champagne Bronze
<input type="checkbox"/>	MB Matte Black



**\*Brass Dimensions**