

**FEATURES**

- 60" x 36" x 22-1/4" alcove bathtub.
- Acrylic material.
- Left-hand or right-hand drain location. (Must specify LH or RH when ordering.)
- Above Floor Rough (AFR) bathtub: above-the-floor drain installation.
- Drain not included.
- Linear overflow hole.
- Has anti-slip texture on bottom.
- Bathtubs available in a bulk pack of 15 (SMUATLN60362215-L/R).
- 10 Year Limited Residential Warranty / 3 Year Commercial Warranty.

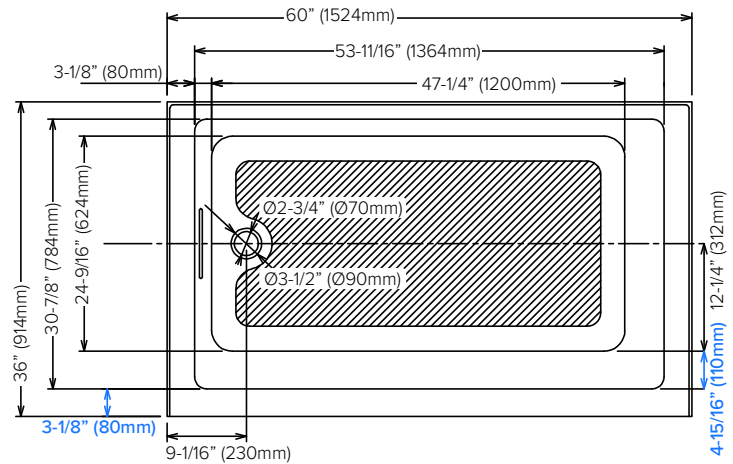
**OPTION**

- SMTDL Bathtub drain with linear overflow in decorative finishes: PC, BN, MB, and CB. See back for information.



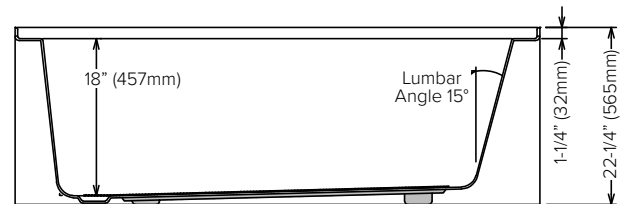
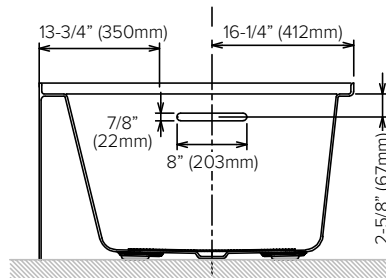
**Specified Model**

Model	SMUATLN603622-L/R
Dimensions	60"L x 36"W x 22¼"H
Drain Outlet	Left-Hand or Right-Hand
Water Capacity	84.22 gallons
Item Cubic Feet	27.75
Item Weight	77.18 lbs.
Shipping Weight	92.61 lbs.
Material	Acrylic
Installation	Alcove
Required	Wall mount faucet



**To Be Specified:**

<b>COLOR</b>	
White	
<b>FINISH</b>	
Gloss	



**Compliance Certifications -  
Meets or Exceeds the Following Specifications:**



• CSA B45.5/IAPMO Z124

**OPTIONAL**

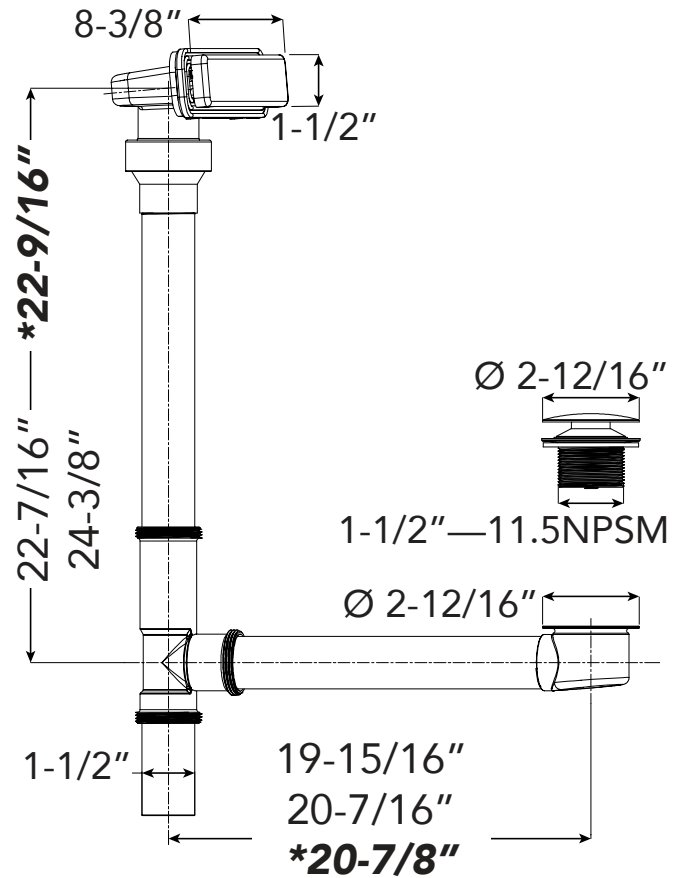
SMTDL bathtub drain in decorative finishes.

**SPECIFICATIONS**

SMTDL Linear Bathtub Drain with Overflow.  
Drain is available in PVC or Brass material. Also available in 5 packs.  
Finishes: PC Polished Chrome and BN Brushed Nickel for both PVC and Brass drains.  
CB Champagne Bronze and MB Matte Black only for PVC drains.

**To Be Specified:**

FINISH	
<input type="checkbox"/>	PC Polished Chrome
<input type="checkbox"/>	BN Brushed Nickel
<input type="checkbox"/>	CB Champagne Bronze
<input type="checkbox"/>	MB Matte Black



**\*Brass Dimensions**