

FEATURES

- Round vessel sink for above counter installation
- No overflow.
- No faucet hole drillings.
- 1 $\frac{3}{4}$ " drain hole. Drain assembly sold separately.
- Hand crafted design made of fireclay, which is clay heated to an extremely high 1600° making the sink hard and durable, with a beautiful high shine.
- Basin area: 15 $\frac{1}{2}$ "
Water depth: 5"
- 1 Year Limited Residential Warranty

COLOR

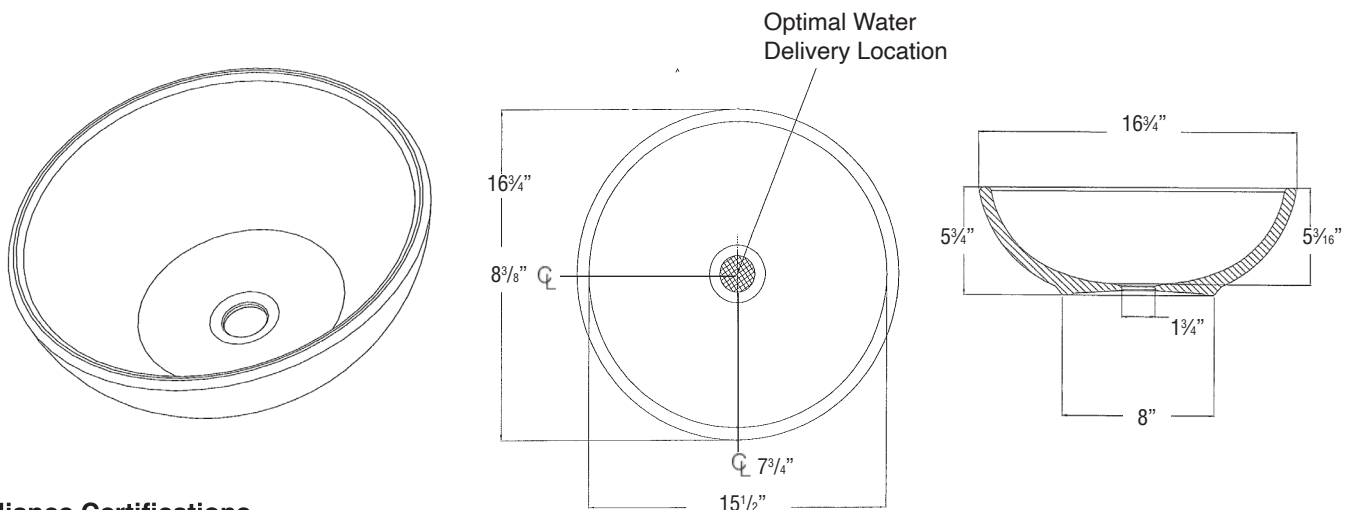
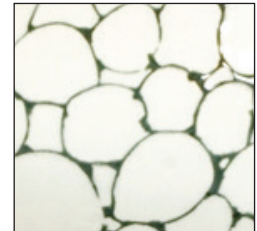
- Dark Green / White



TOILETS/LAVS

Specified Model

	MODEL NO.	DESCRIPTION	Width	Depth	Height	Ship Wt. lbs.
ABOVE COUNTER LAVATORY						
<input type="checkbox"/>	SMVSL047	Lavatory Vessel Bowl	16 $\frac{3}{4}$ "	16 $\frac{3}{4}$ "	5 $\frac{3}{4}$ "	20



Compliance Certifications -

Meets or Exceeds the Following Specifications

- ICC/ANSI A117.1
- CSA
- IAPMO/UPC®
- ADA