

FEATURES

- Unglazed rim.
- No faucet hole drillings.
- Vitreous china.
- Under counter mounting.
- Rectangular shape lavatory bowl with concealed front overflow.
- Includes installation clips.
- 5 Year Limited Residential Warranty / 1 Year Commercial Warranty

COLORS

- White

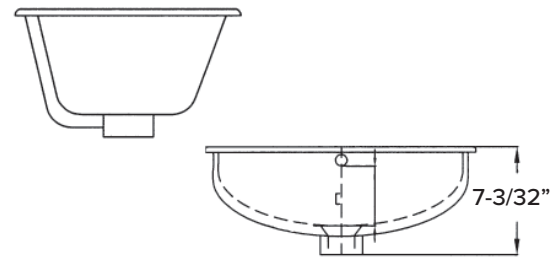
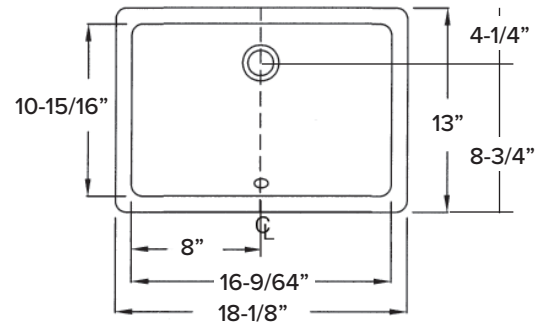


Specified Model:

	Model No.	Description	Width	Depth	Height
UNDER COUNTER LAVATORY					
<input type="checkbox"/>	SML-1590	Lavatory Bowl	18-1/8"	13"	7-3/32"

To Be Specified: Color

<input type="checkbox"/>	01 White
--------------------------	----------



Compliance Certifications- Meets or Exceeds the following Specifications

- ASME A112.19.2M-1998
- Canadian Uniform Plumbing Code 2002
- UPC®

Dimensions shown for location of supplies, waste and mounting clips are suggested. Installation instructions supplied with lavatory. Mounting clips included.

Provide suitable reinforcement for wall support. These measurements are subject to change or cancellation. No responsibility is assumed for use of superseded or voided pages.