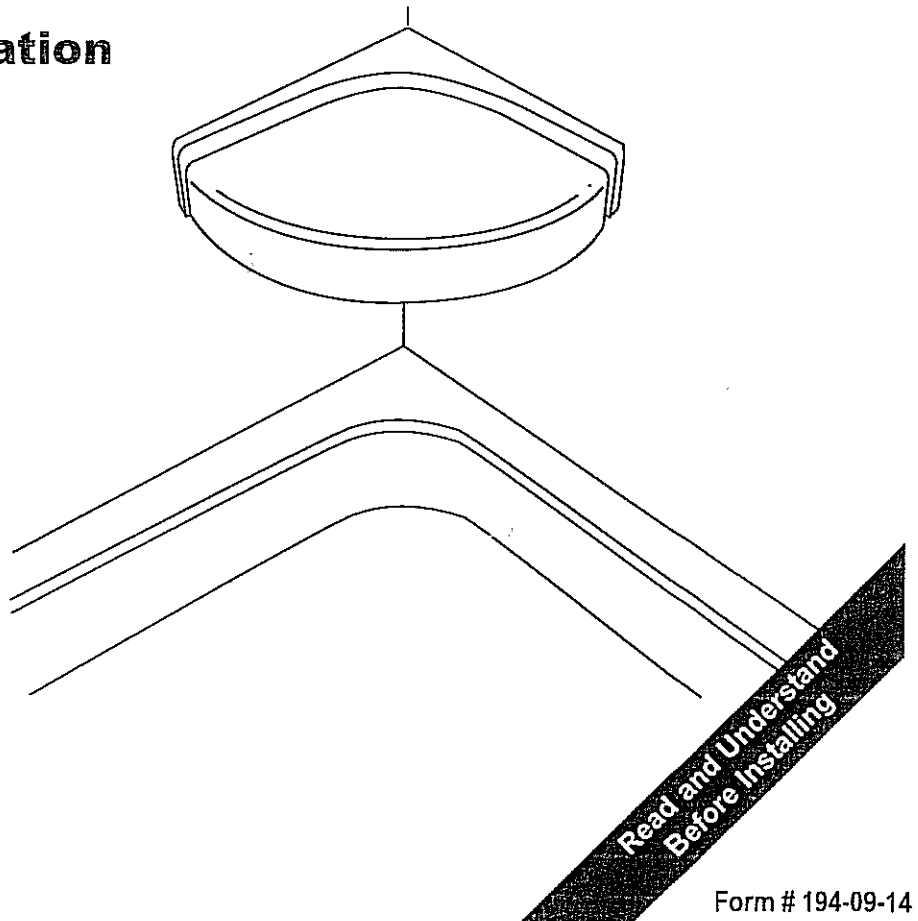




# Swan

## Corner Shower Seat Model CS1616

- **Product Warnings**
- **Safety Guidelines**
- **Kit Contents**
- **Required Tools**
- **Preparation Tips**
- **Installation Procedure**
- **Cleaning & Maintenance**
- **Surface Repair**
- **Warranty Information**



Form # 194-09-14



The Swanstone Assurance — if our product is properly installed and maintained, as stated in these instructions, it will not leak.

## Remember – Safety First

### IMPORTANT NOTICE

The Swan Corporation, the makers of the Swanstone Wall Systems and Panels, cannot anticipate every possible circumstance that might involve a potential hazard during the installation of our product(s). The warnings and instructions in this installation guide are, therefore, not all-inclusive. If a tool, installation procedure, or work method that is not specifically recommended by The Swan Corporation is used, you must satisfy yourself that it is safe. You should also make sure that the Swanstone product(s) will not be damaged by the methods you choose. The Swan Corporation will not be held responsible for water damage of any kind in connection with the installation of one of our Swanstone bath/shower/panel kits.

### **WARNING**

To avoid product damage, personal injury, or even possible death, carefully read, understand, and follow all the instructions in this installation guide before installing this product(s). Do not use cleaning fluids or operate power tools unless you read and understand the instructions and warnings in this and all other applicable labels or manuals. Proper use of tools and the products described in this guide is your responsibility.

### WARRANTY

This product is covered by a Limited Lifetime Warranty. Refer to the Warranty section in this manual for complete details.

### **Save this manual for future reference.**

This manual is to be left with the warranty holder and owner.

Important information on cleaning, maintenance, and repair is contained within.

# Safety Guidelines

## IMPORTANT NOTICE

**IMPORTANT NOTICE:** Indicates that equipment or property damage can result if instructions are not followed.



### Read and Understand the Manual

It is the responsibility of any individual who installs or maintains this product to fully understand and follow proper installation and maintenance procedures. Be aware of the inherent dangers in the use of power tools when installing this product. Read and understand all Warnings, Cautions, and Important Notices in this manual.



### Work Safely

**DO NOT** proceed if any doubt arises about the correct or safe method of performing anything found in this or other Swanstone manuals.

The installation of this product can require using power tools. Do not use power tools without adequate training. If necessary, hire or consult a trained professional for expert assistance before continuing.



### Use Proper Tools

Always use proper tools which are in good, working condition during the installation of the Swanstone products. Using tools other than those listed could adversely affect the integrity of floors, pipes, walls, or this product and could result in water damage or other damage to floors, pipes, walls, or other portions of your building or home.

## CAUTION

**CAUTION:** Indicates a potentially hazardous situation which, if not avoided, may result in injury. It may also be used to alert against unsafe practices.



### Slipping Hazard

Do not install this product in the presence of water. Installing this product without drying all surfaces, or in the presence of water, could cause you to slip and fall due to wet floors or spilled fluids. Personal injury can result from slips or falls. Before installation, dry all surfaces, including the floor, with a cloth or paper towel. Clean up all water or spilled fluids immediately.



### Tripping Hazard

Personal injury can result from tripping over power cords, tools, or other items. **DO NOT** leave items laying around the work area.



### Personal Protection

Be sure to use all personal protective equipment, such as sturdy work boots, preferably with steel toes, gloves, and hard hat, if necessary, to ensure your own safety. To prevent possible damage to your hearing, always wear ear protection, such as earmuffs or earplugs, when working around power tools.



### Eye Protection

Be sure to use all personal protective equipment to ensure your own safety. To avoid eye injury, always wear protective glasses with side shields when using power tools. Also, make sure no one else can be injured by flying particles when using power tools.

## WARNING

**WARNING:** Indicates a potentially hazardous situation which, if not avoided, could or will result in serious injury or death.



### Fire Hazard

Personal injury or death can result from a fire caused by flammable liquids or silicone sealants. Cleaners or solvents can be highly explosive, resulting in personal injury or even death, when not used properly. Clean up any flammable substance immediately. Sparks or open flames can cause flammable substances to ignite. **DO NOT** smoke while working on or near any flammable substance.



### Solvents Hazard

Follow all manufacturer's safety instructions for silicone sealants and denatured alcohol. Alcohol vapors are both flammable and hazardous to breathe. Silicone vapors may irritate eyes and nose. Personal injury can result from improperly handling or use of products such as denatured alcohol. Always follow the manufacturer's recommendations for the safe use of these products. Ventilate any work area before beginning to apply silicone sealants, cleaning agents, or solvents.



### Fumes Hazard

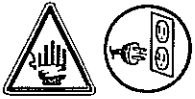
The fumes from the silicone and solvents used by the installer can be harmful if used in an unventilated room. Always work in a well-ventilated area. To keep the area well-ventilated, open windows and use exhaust fans. If adequate ventilation is not achievable or practical, use respiratory protective equipment.



### Dust Hazard

When cutting, drilling, or sanding the Swanstone product, use a dust collection method which prevents dust

particles from going into the air. Always work in a well-ventilated area. Always use an OSHA approved dust mask when cutting, drilling, or sanding Swanstone products.



**Power Tool Hazard**

To prevent personal injury or possible death, always follow the electrical safety recommendations of the power tool's manufacturer. Do not use power tools in an unsafe manner. Power tools should only be connected to a circuit protected by a ground-fault circuit interrupter (GFI).



**Shock Hazard**

Never use electric power tools around water, condensation, or other liquids. Electric shock can cause severe burns, significant injuries, and even death. If an extension cord is required, always use an OSHA approved extension cord. Power cords should only be connected to a circuit protected by a ground-fault circuit interrupter (GFI).



**Electrical Shock Hazard**

Contacting live electrical wiring with power tools or hand tools can cause serious injury or death. Make sure all related circuit breakers are turned OFF. Test for live circuits or wiring inside any wall where installation of the Swanstone product requires cutting into a wall.



**Electrocution Hazard**

Water and other liquids conduct electric current and can create a short circuit, resulting in injury or death. Keep all liquids away from electrical cords and power tools. DO NOT create a short circuit between a source of electricity and a liquid by being in contact with both simultaneously.

**General Information**

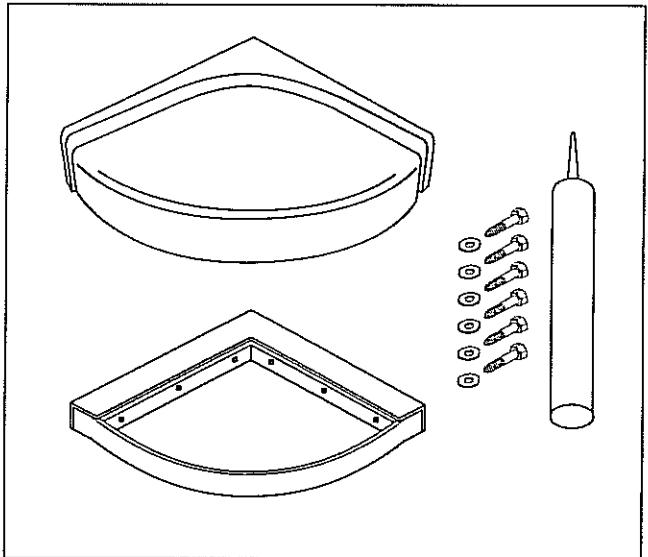
**Required Tools**

- Tape measure
- Level and pencil
- Drill with 3/16" and 3/8" drill bits
- 1/2" socket or wrench
- Caulking gun
- 60 grit sandpaper
- Clean paper towels or shop towels
- Denatured alcohol

**Kit Contents**

Confirm that all parts of this kit have been included before beginning installation.

- One solid surface Swanstone corner shower seat
- One stainless steel mounting bracket
- Six 5/16" x 2 " hex head lag bolts
- Six 5/16" flat washers
- One tube of color match silicone sealant



**Helpful Hints**

- Read these instructions carefully and familiarize yourself with the various parts of the kit.
- We recommend you allow sufficient time for the parts in this kit to adjust to room temperature before beginning installation.
- Store unused materials away from the work area to prevent accidental damage.

### Preparation Tips

- The mounting surface must be free of dirt, film, waxes, or any other residues.

### Caulking Tips

- Follow the instructions on the sealant tube.
- When job is complete, inspect all caulked areas for gaps and fill as needed.
- Clean up any excess silicone using denatured alcohol and a clean cloth.
- Be very careful not to disturb caulk joints.

Followed carefully, these installation instructions will result in an easy, trouble-free installation of your Swanstone product. Any deviations, additions, and/or deletions from the prescribed installation, without prior written approval, will void the warranty covering this product. Not following the directions could also result in personal injuries, water damage, and other damage to floors, pipes, walls, and other portions of your building or home.

### Disclaimer

- The information contained in this Installation Manual is given free of charge. It is based upon technical data which we believe to be reliable and is intended for use, by persons having knowledge of this technical area, at their own discretion and risk. Swanstone assumes no responsibility for results obtained or damage incurred from the use of this material either in whole or in part by the buyer.
- This manual will give you basic instructions for the installation of the product in a step-by-step sequence that will work in most types of installations. If you have an installation application that is not covered in this manual, please call your local Swanstone distributor or contact The Swan Corporation directly for additional information about your application.
- Follow all installation instructions. Failure to follow these instructions could result in personal injuries, water damage, or other damage to floors, pipes, walls, or other portions of your building or home.

### Corner Shower Seat Installation

The shower seat is a corner mount design that can add comfort and convenience to your shower. It is designed to coordinate with Swanstone tub & shower walls, floors, and accessories. The molded run-off channel means water will not pool on top of the seat.

This corner shower seat is designed to fit the following Swanstone Wall Systems: SSIT-60-3, SS-72-3, SS-60-3, SS-60-5, SSWP-4872, SK-363672, SK-324872, SK-344872, SK-326072, SK-346072, SS-3672-3, DK-363672, DK-324872, DK-344872, DK-326072, and DK-346072. If you have questions on installing the corner shower seat in other Swanstone wall systems, please contact the Swanstone Customer Relations Department.

## **! WARNING**

The structural strength of the seat and the attachment bracket, when properly installed on a structural wall, will hold a maximum weight of 300 pounds. Check all state and local codes for mounting requirements before installation. Exceeding the maximum weight limit will cause the seat to fail or the mounting bracket to pull away from the wall, resulting in serious injury.

NOTE: This product is designed so that the mounting bracket is secured to a strong and stable surface. Any application that doesn't allow for solid contact between the mounting bracket and the in-wall support system is unacceptable.

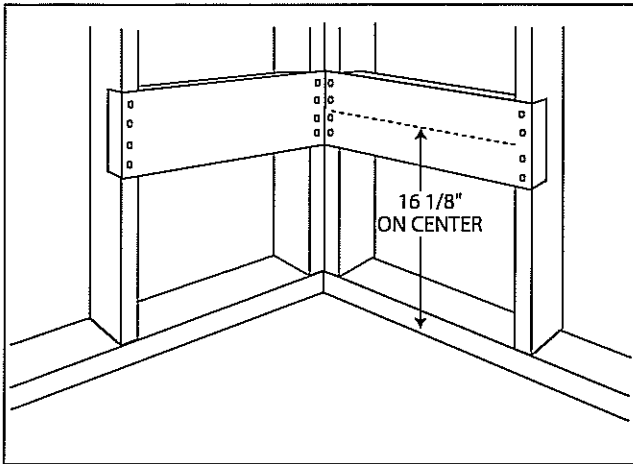
## **! WARNING**

To prevent serious injury, it is critical that the 2x6 wall supports be securely fastened to the stud wall. It is the installers responsibility to make sure this wall support will hold the 300 lb weight rating of the shower seat.

1. The shower seat must be installed using sufficient structural in-wall mounting blocks. A common shower seat height is 19". A strong 2 x 6 inch wall support must be installed 16-1/8", on center, off the subfloor.

## Installation Procedure

- Use 2-1/2" to 3" long #12 drywall screws to attach the 2 x 6 supports to the stud wall, as shown.



NOTE: After installing the 2 x 6 wall support, finish out the wall with drywall and a Swanstone wall panel system or a wall covering of your choice. After the wall covering has been installed, set, and allowed to cure, move on to Step 3.

- To accommodate the suggested seat height of 19" use a pencil to mark a line on the shower wall panels, 16-1/8" up from the subfloor.

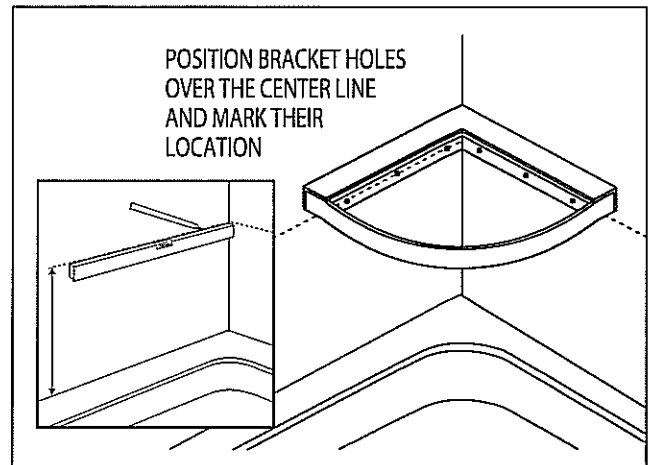
### IMPORTANT NOTICE

Do not mark the Swanstone panels with anything other than a pencil. DO NOT mark the panel with any permanent marker, as this will void the warranty.

NOTE: Measure the height from subfloor to the top of the shower floor shoulder and then up the shower wall panel to a total height of 16-1/8".

- With a level and a pencil, and working out from the corner, draw a line that will enable you to properly position the mounting bracket.

- Using the mounting bracket as a template, position the bolt holes over the line and mark the bolt hole locations. Be sure that the mounting bracket is snug against the corner before marking the holes.



## ! WARNING

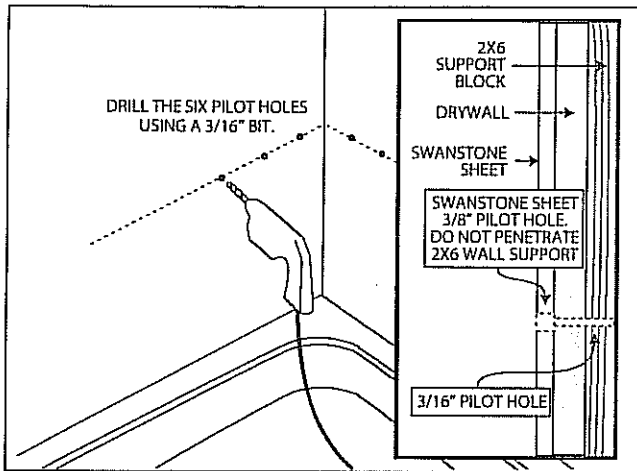


### Dust Hazard

When drilling or sanding the Swanstone product, use a dust collection method which prevents dust particles from going into the air. Always work in a well-ventilated area. Always use an OSHA approved dust mask when cutting, drilling, or sanding Swanstone products.

# Installation Procedure

4. Drill six pilot holes at the marked locations, using the 3/16" drill bit. Drill through the wall panel and into the 2 x 6 inch support block installed earlier.

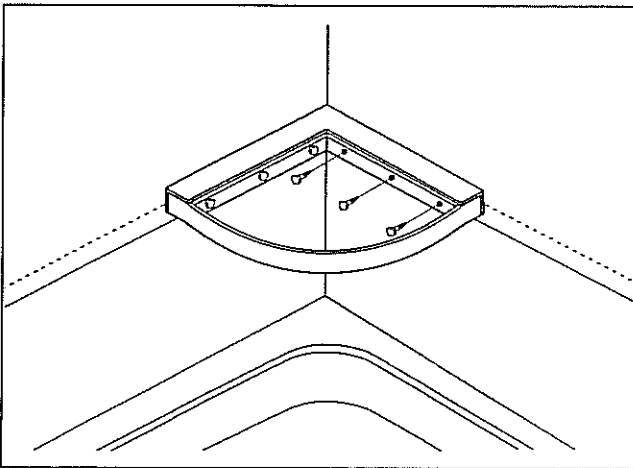


5. Use the 3/8" drill bit to enlarge the 3/16" pilot holes through the Swanstone wall panel or other wall material. **Only drill the 3/8" holes through the thickness of the wall panel.** Do not drill into the 2 x 6 inch wall support.

## IMPORTANT NOTICE

Failure to drill the 3/8" clearance holes can cause damage to the Swanstone or other wall panels when the lag bolts are installed. Drilling the 3/8" holes too deep will not allow the lag bolts to adequately secure the mounting bracket to the wall.

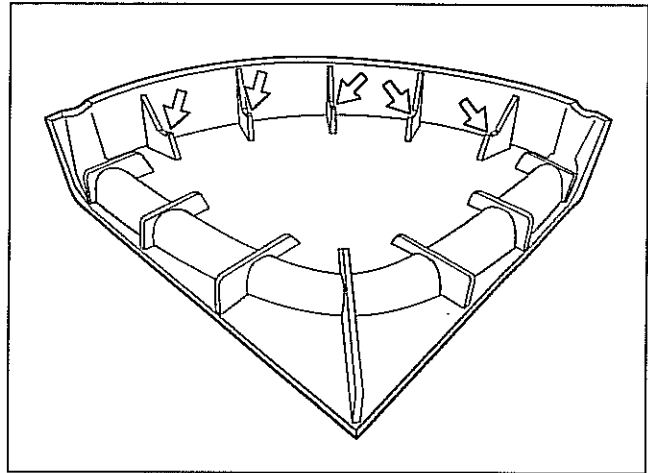
6. Position the mounting bracket in place, align the holes and secure with six 5/16" x 2" long hex head lag bolts and washers. Tighten the lag bolts securely.



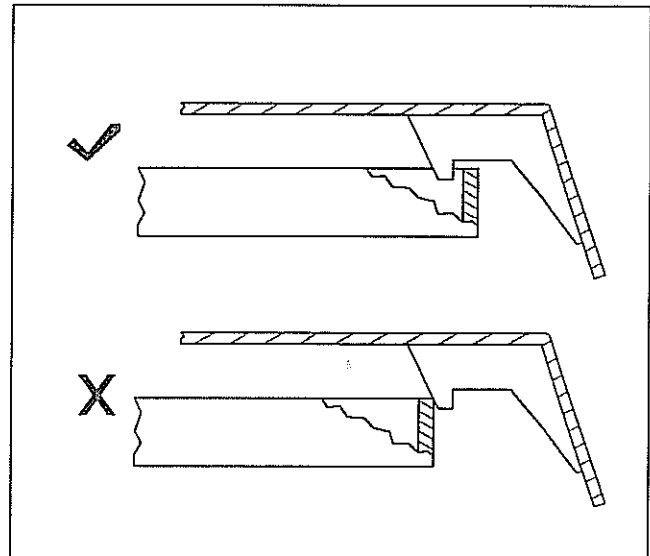
## CAUTION



The locking tabs on the underside of the Swanstone seat must engage behind the stainless steel bracket to prevent the seat from moving away from the wall. Do not apply silicone until you have trial fit the seat and made sure the locking tabs fully engage. Failure to follow this procedure may result in serious injury.

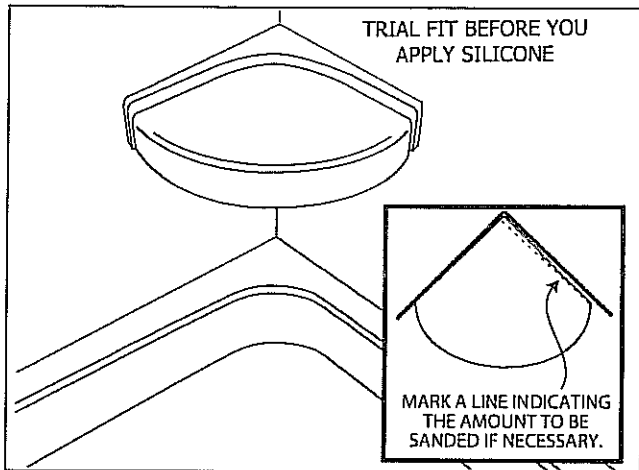


7. Trial fit the seat prior to applying adhesive.
  - a. Make sure the locking tabs molded into the underside of the seat engage behind the stainless steel support bracket to prevent the seat from moving away from the wall.





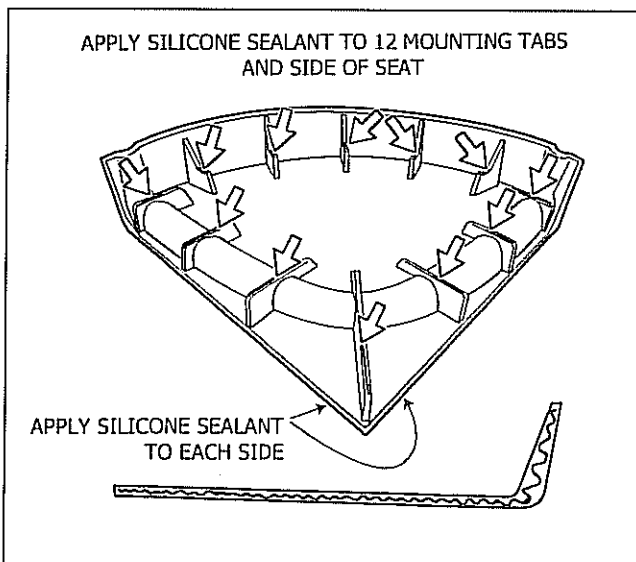
- b. If the wall corner is not exactly 90 degrees square, it will be necessary to sand the sides of the seat in order to achieve a proper fit. Use a coarse grit (60 grit) sandpaper when sanding the seat.



## IMPORTANT NOTICE

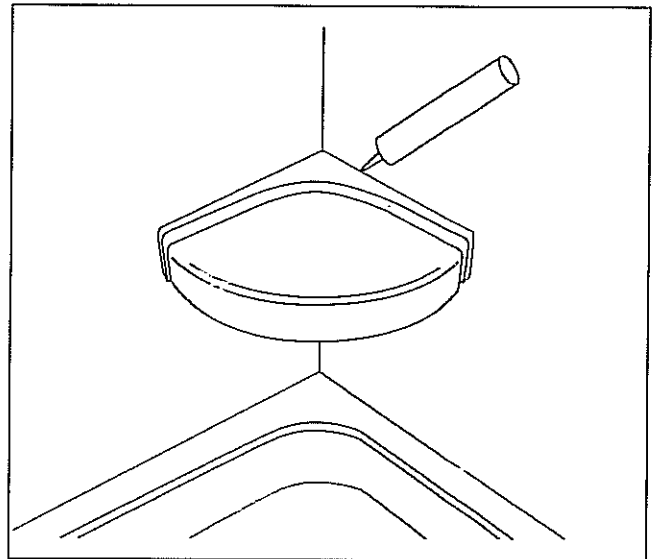
Do not use oil-based cleaners, such as mineral spirits, to clean the Swanstone product. The oil in the cleaner will prevent the silicone from adhering properly to the wall.

8. Once the seat fits properly, clean the edges of the seat, 12 mounting tabs, and the shower wall area above the stainless steel bracket with denatured alcohol. Apply color match silicone (supplied) to the top of the 12 mounting tabs on the underside of the seat and on the two side edges, as shown.



9. Set the shower seat into place.
- Make sure the locking tabs molded into the underside of the seat engage behind the stainless steel support bracket.
  - Apply a continuous bead of silicone around the outer perimeter of the shower seat to completely seal the joint.
  - Use denatured alcohol to clean any excess silicone from the wall or seat surface.

NOTE: To aid in the bonding process, place a folded towel or piece of cardboard on the shower seat to protect it and set a weight, such as a full one gallon paint can onto the shower seat.



10. Allow 24 hours for the silicone to set. Do not use the shower during this period.
11. Give these installation instructions to the homeowner, for future reference. They provide important information on cleaning, maintenance, and surface repair of Swanstone wall systems, corner seats, and accessories.

# Maintenance and Surface Repair

---

## Care and Cleaning

The Swanstone products are stain and abrasion resistant; however, the finish requires reasonable care.

### IMPORTANT NOTICE

Because cleaning products change over time, always check the manufacturer's instructions to make sure it is compatible with solid surface acrylic. DO NOT use a cleaner if the label indicates it should not be used on solid surface acrylics. DO NOT use spray-on cleaners that require daily use without immediately rinsing with water to stop the chemical cleaning reaction because damage will result and void the warranty.

---

## Day-To-Day Cleanup

Simply wipe the surfaces with a clean towel to remove watermarks and residues. All Swanstone products can be cleaned with warm water, a soft cloth, and normal household detergents or cleansers, such as Fantastic, Formula 409, Clorox Clean-up, Handy Andy, Mr. Clean, Dow Scrubbing Bubbles, Lysol Foaming Tub and Tile Cleaner, Top Job, or Lestoil. Always rinse off cleaners within five minutes of application.

Occasional scrubbing with household abrasive cleaners ensures that the original luster is maintained.

## Caulking Joints

Inspect caulking joints monthly for damage or any signs of separation from the mating surface. Cracks in the caulking will allow water to leak into the surrounding surfaces. **Reapply caulking to any joint showing signs of wear or cracking.** Failure to inspect and repair caulking joints will void the warranty.

## Surface Repair

### Light Scratches

Use 400 grit sandpaper to remove light scratches in the surface.

### Deep Scratches or Gouges

For deeper scratches or gouges, use 220 or 320 grit sandpaper. A "Scotchbright pad" can be used to blend the repair into the surrounding area.

## LIMITED WARRANTY FOR RESIDENTIAL APPLICATIONS

If a Swanstone product covered by this warranty is found to be defective in materials or workmanship, after inspection by an authorized Swan Corporation representative, we will repair, or at our option, exchange the product for a similar model. This warranty extends for a designated period of time, so long as it remains in use in its original place of installation.

This warranty covers products installed in accordance with the Swan Corporation's installation instructions, used as recommended, and not damaged due to misuse, abuse, or improper installation. It does not apply to any seams or changes made to the product by professional tradesmen or fabricators.

The warranty applies only to the original purchaser and installation of these products in residential applications. It does not apply to commercial applications.

The Swan Corporation's option to repair or exchange the products under this warranty does not cover any labor or other costs of removal or installation, nor shall The Swan Corporation be responsible for any other incidental or consequential damages attributable to a product defect or to the repair or exchange of a defective product.

### Limited Lifetime Warranty

Swanstone Wall Panels, Trim Kits, and Accessories

## LIMITED WARRANTY FOR COMMERCIAL APPLICATIONS

If a Swanstone product covered by this warranty is found to be defective in materials or workmanship, after inspection by an authorized Swan Corporation representative, we will repair, or at our option, exchange the product for a similar model. This warranty extends for a designated period of time, so long as it remains in use in its original place of installation.

This warranty covers only products installed in accordance with the Swan Corporation's installation instructions, used as recommended, and not damaged due to misuse, abuse, or improper installation. It does not apply to any seams or changes made to the product by professional tradesmen or fabricators.

The warranty applies only to the original purchaser and installation of these products in commercial applications.

The Swan Corporation's option to repair or exchange the products under this warranty does not cover any labor or other costs of removal or installation, nor shall The Swan Corporation be responsible for any other incidental or consequential damages attributable to a product defect or to the repair or exchange of a defective product.

### 25-Year Limited Warranty

Swanstone Tub and Shower Wall Panels, Trim Kits, and Accessories

**Save these Installation Instructions for future reference. They provide important information on cleaning, maintenance, and surface repair of Swanstone products.**

