

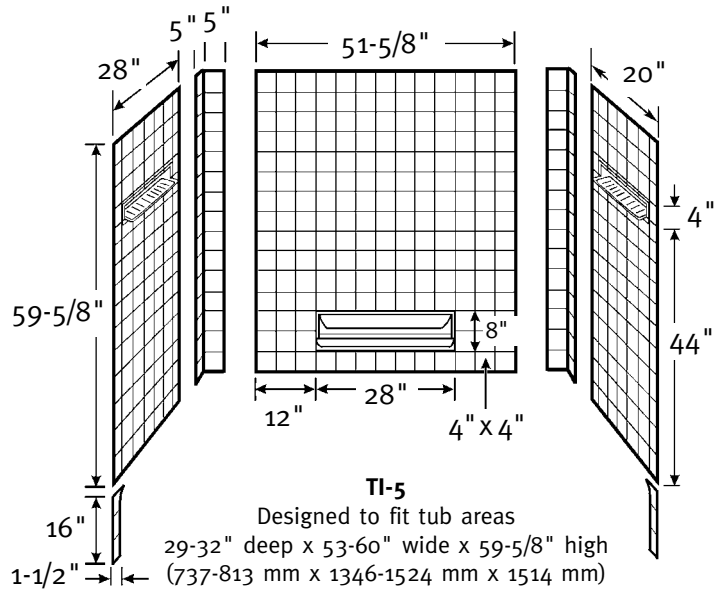


WARRANTY
 Limited Lifetime – Residential
 Limited 5-year – Commercial

Manufactured from Veritek®
 (see page 2 for detailed information)

FEATURES

- Has the real tile look, no grout to clean
- Stunning look adds elegance to your bath
- A variety of colors to choose from to customize a bath
- Will not mold or mildew
- Ideal for both remodeling projects and new construction
- Made of Veritek with no surface coating to chip or crack—color runs throughout
- Built-in shelves for storage of toiletries on all three walls
- The TI-5 is a glue-up 7-piece compression molded unit with molded-in color
- Patented design keeps shower head spray from aiming at seams



SPECIFICATIONS

TI-5 5-Panel Tub Wall Kit & TI-55 Extension Kit

Model	Part	Tub Area Designed To Fit	Ship Wt. Lb.	Ship UPS	Carton Dims. In.	Cu. Ft.
TI-5	TI50000	29-32" D x 53-60" W x 59-5/8" H (737-813 mm x 1346-1524 mm x 1514 mm)	76	-	65 x 57 x 6	12.87
TI-55	TI55000	Extends to 83-5/8" H (2124 mm)	30	UPS	54 x 25 x 6	4.69

TI-5 Kit Includes: One back panel with molded-in soap dish, two corner panels, two side panels with molded-in convenience shelves, two apron strips, installation materials and complete installation instructions.

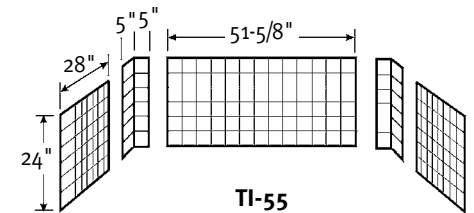
TI-55 Kit Includes: One back panel, two corner panels, two side panels, installation materials and complete installation instructions.

Packaging: Each kit is packed in a flat, rectangular carton.

COLORS

(See inside back cover for color sample.)

- White (010)
- Bone (037)
- Bisque (018)



The optional TI-55 5-Panel Extension Kit with molded-in color, extends the 59-5/8" height of the TI-5 SwanTile walls to an additional 24" for a total of 83-5/8" above the bathtub edge. Panels can be cut to fit lower ceilings.

STANDARDS AND RATINGS

- Class B fire rating
- American Society for Testing and Materials
- National Electrical Manufacturers Association

SUPPORT DOCUMENTS

Installation instructions available on line at www.swanstone.com

MADE IN USA.

MAINTENANCE AND CLEANING INFORMATION

Wash regularly with non-abrasive, liquid cleaners, a sponge, soft cloth or Mr. Clean Magic Eraser. For hard water stains or mineral build-up, scale removers such as Lime Away, Rust-out or Whink can be used. To protect the finish, fiberglass wax or automotive paste wax can be applied. **Do not** use abrasive cleaners or pads. **Do not** use "leave on" cleaning products such as the Automatic Shower Cleaner. Prolonged contact with harsh chemicals could have an adverse reactive over time and discolor your surfaces. **Do not** use cleaning agents that caution use on acrylic, polyester or plastics.

TUB & SHOWER