

Features

- 32³/₄" (832) x 19" (483) x 10" (254) undermount kitchen sink.
- Equal double compartments.
- Handcrafted from 16 gauge 304 stainless steel. Channel grooves in sink bottom direct water to drain. Premium brushed finish.
- Low 6" (152) high divide.
- Includes 2 stainless steel bottom sink grids, stainless covered flip-top sink and disposer strainers.
- 10mm radius corners.
- 5mm sound deadening pads.
- Fits 36" (914) minimum base cabinet width.

Components

- Product includes:
- TSG32182 Bottom Sink Grid Set
 - 2210R Covered Sink Strainer
 - 4010 Covered Disposer Strainer
 - Cutout Template
 - Installation Hardware
 - Installation Instructions

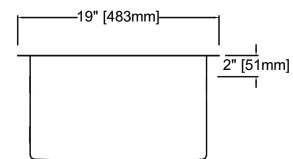
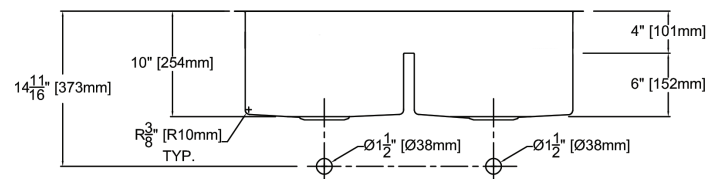
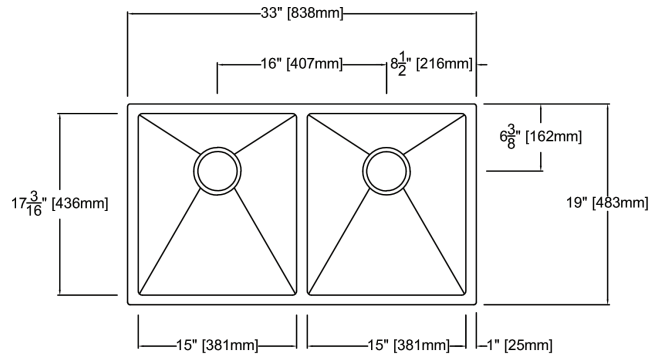
Warranty

- Lifetime Limited Warranty



Specified Model

| Model | DUDE331910 |
|-------------------------|--|
| Overall Dimensions | L32 ³ / ₄ " x W19" x D10" 832 x 483 x 254 |
| Bowl Dimensions (Left) | L14 ⁷ / ₈ " x W17" x D10" 378 x 432 x 254 |
| Bowl Dimensions (Right) | L14 ⁷ / ₈ " x W17" x D10" 378 x 432 x 254 |
| Drain holes: | 3 ⁵ / ₈ " (92mm) |
| Shipping Weight | 48 lbs. |
| Material | 16 gauge 304 stainless steel |
| Installation | under counter mounted |
| Required | template, included |



Codes/Standards

ASME A112.19.3/CSA B45.4

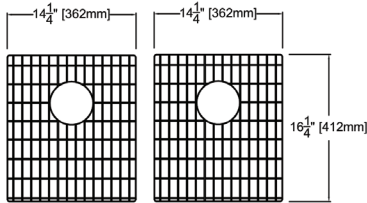
Notes

Install this product according to the installation instructions.

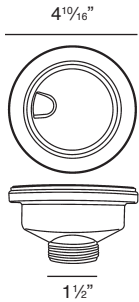
Components

Product includes:

TSG32182 Bottom Sink Grid Set



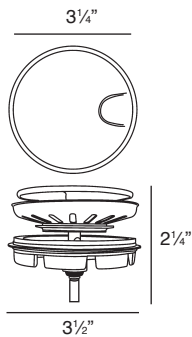
2210R Covered Flip Top Sink Strainer.



Water drains easily when cover is in place. Cover flips up with easy touch. Polypropylene housing. Fits standard 3¹/₂" opening.

Optional Remote Covered Strainer 2310 is available. See Accessories to order.

4010 Covered Flip Top Disposer Strainer.



Water drains easily when cover is in place. Cover flips up with easy touch. Polypropylene housing. Top mount installation for 3¹/₂" opening.